

6

5

4

3

2

2

1

D

D

C

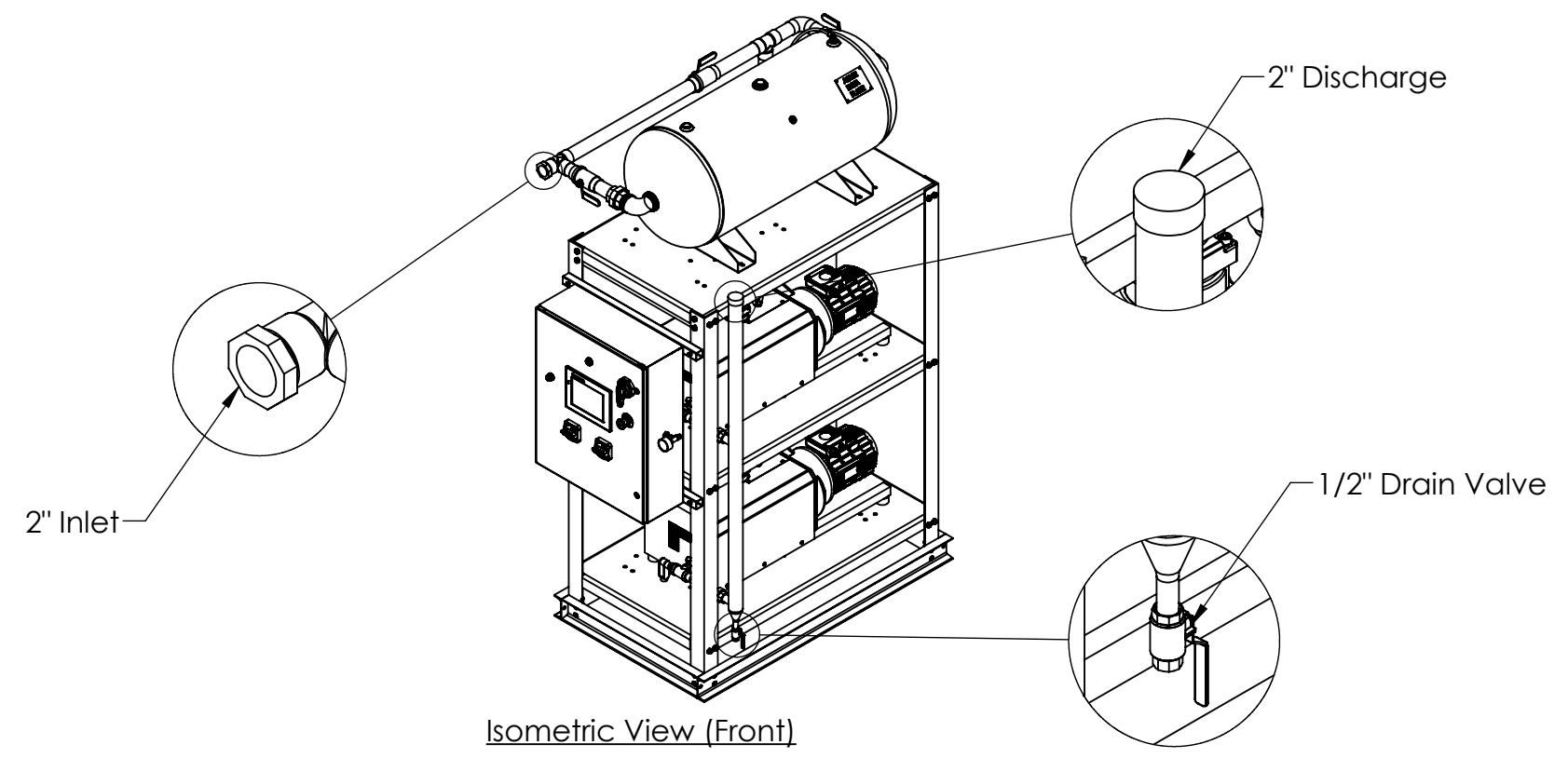
C

B

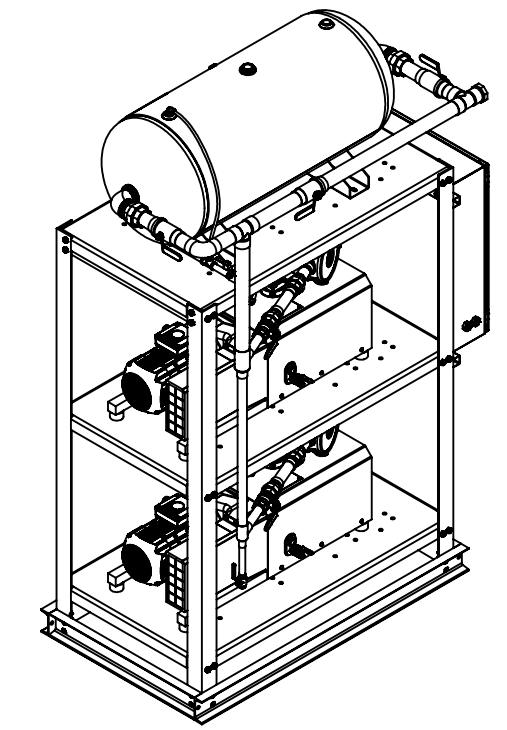
B

A

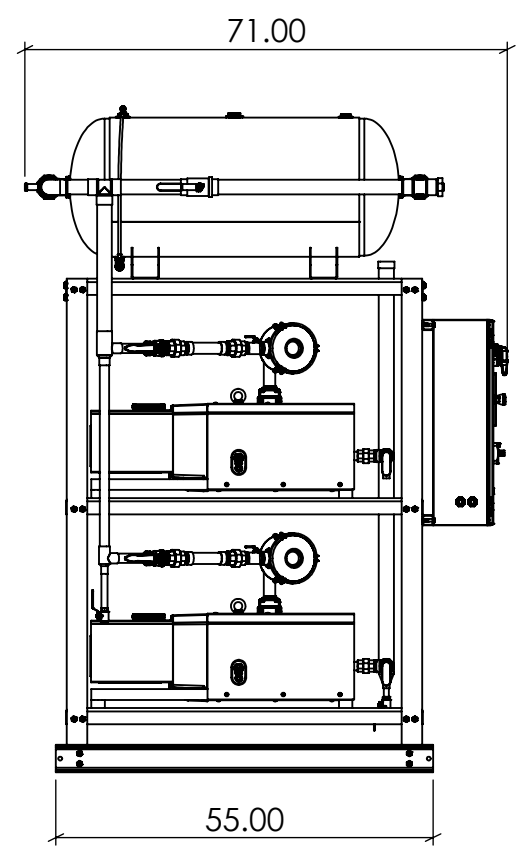
A



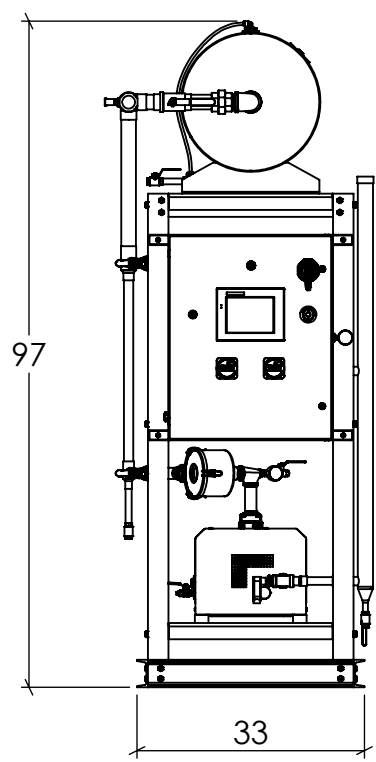
Isometric View (Front)



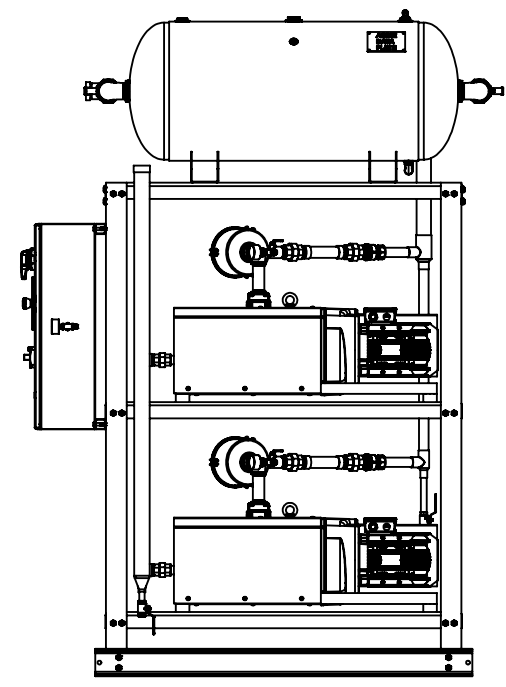
Isometric View (Back)



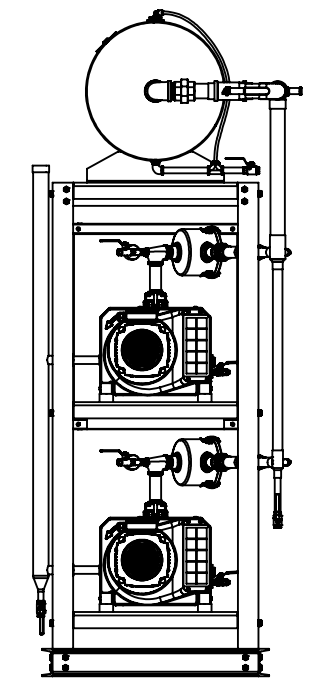
Left View



Front View



Right View



Back View

THIS DRAWING AND INFORMATION CONTAINED IN THIS DRAWING ARE CONFIDENTIAL PROPERTY OF AIR ENERGY GROUP. NO PART OF THIS DRAWING OR ANY INFORMATION CONTAINED IN THIS DRAWING MAY BE REPRODUCED OR TRANSFERRED WITHOUT THE WRITTEN PERMISSION OF AIR ENERGY GROUP.



DRAWN BY
SSC
DATE
5/24/2024

NOTE:
All dimensions in
Inches unless
otherwise noted

DESCRIPTION Duplex 3 HP Medical Claw Skid Assembly		REV.	SIZE B
PART NO. VC03F-43M-06H		SHEET: 1 of 2	
SCALE: 1:28			

6

5

4

3

2

2

1

6

5

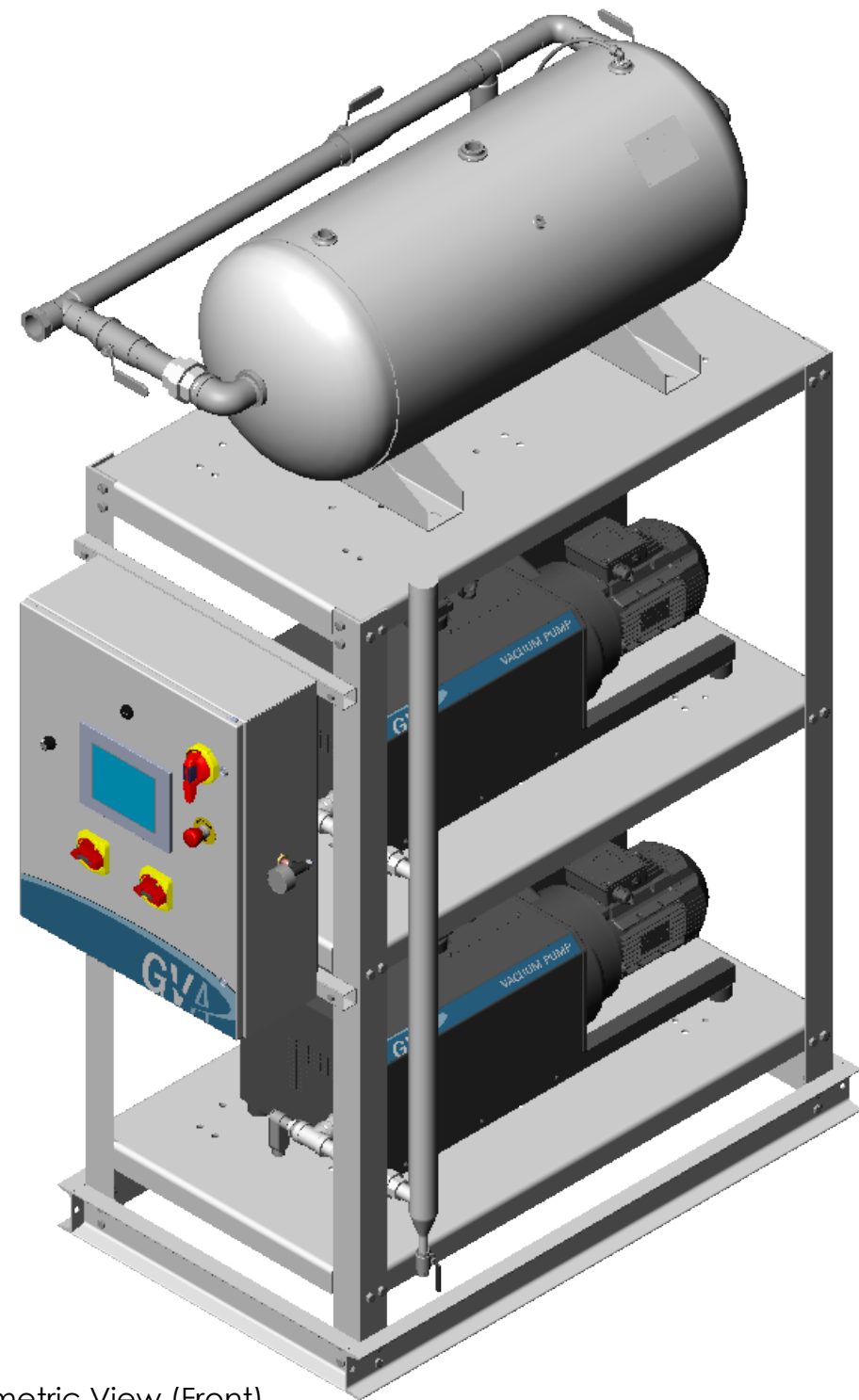
4

3

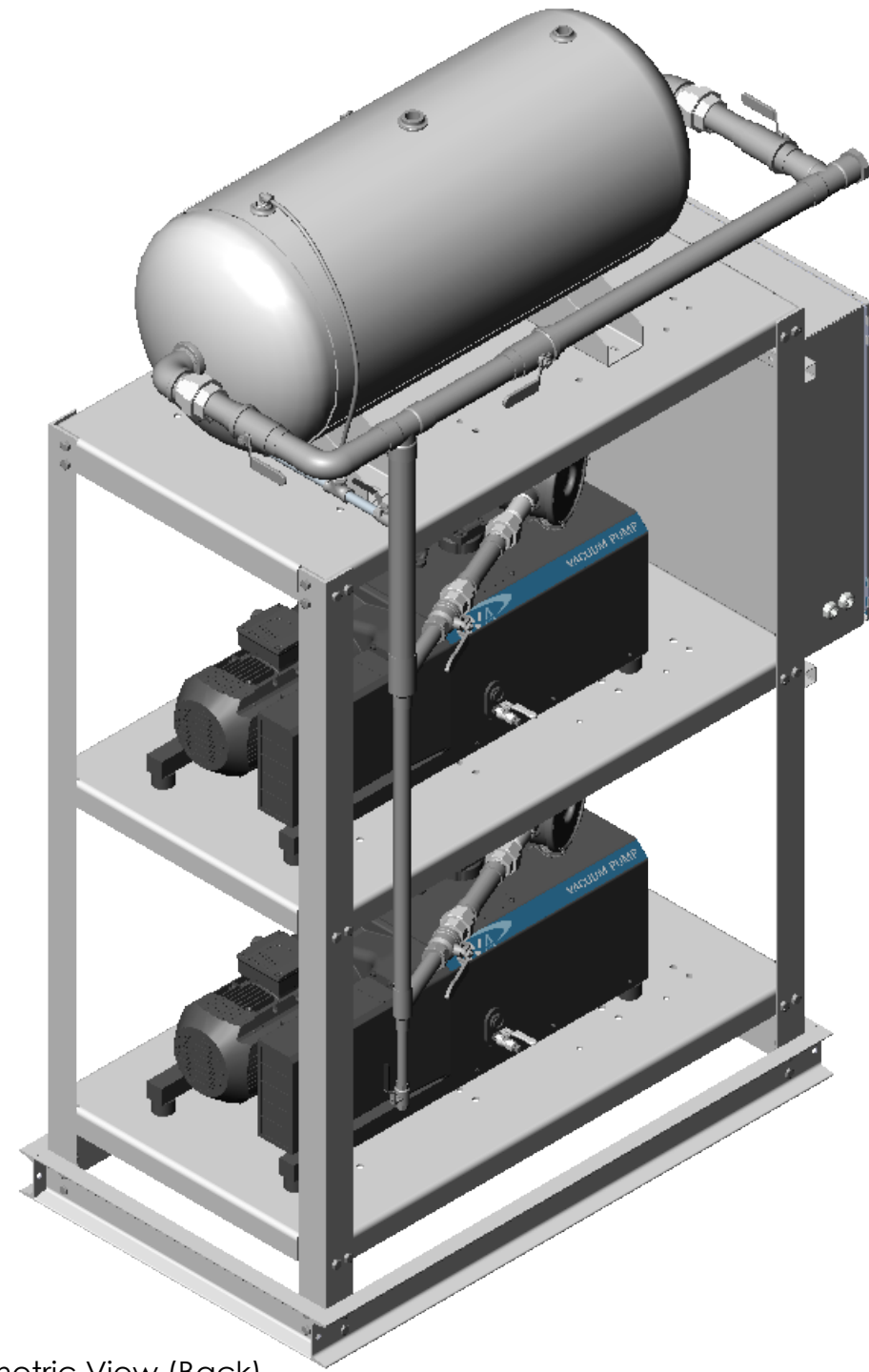
2

1

1



Isometric View (Front)



Isometric View (Back)



DESCRIPTION
Duplex 3 HP Medical Claw
Skid Assembly

PART NO.
VC03F-43M-06H

REV. SIZE
B

SCALE: 1:14

SHEET: 2 of 2

THIS DRAWING AND INFORMATION CONTAINED IN THIS DRAWING ARE CONFIDENTIAL PROPERTY OF AIR ENERGY GROUP. NO PART OF THIS DRAWING OR ANY INFORMATION CONTAINED IN THIS DRAWING MAY BE REPRODUCED OR TRANSFERRED WITHOUT THE WRITTEN PERMISSION OF AIR ENERGY GROUP.

DRAWN BY
SSC

DATE
5/24/2024

NOTE:
All dimensions in
Inches unless
otherwise noted

6

5

4

3

2

1

1

A

D

C

B

A