

6

5

4

3

2

1

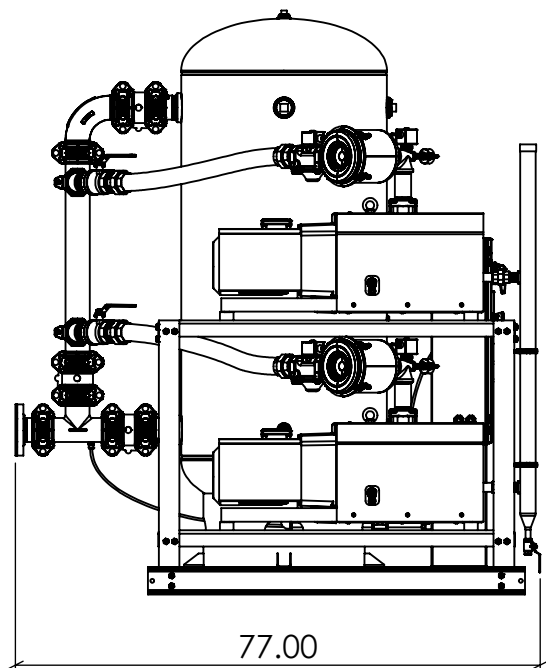
2" Discharge

1/2" Drain Valve

3" Inlet

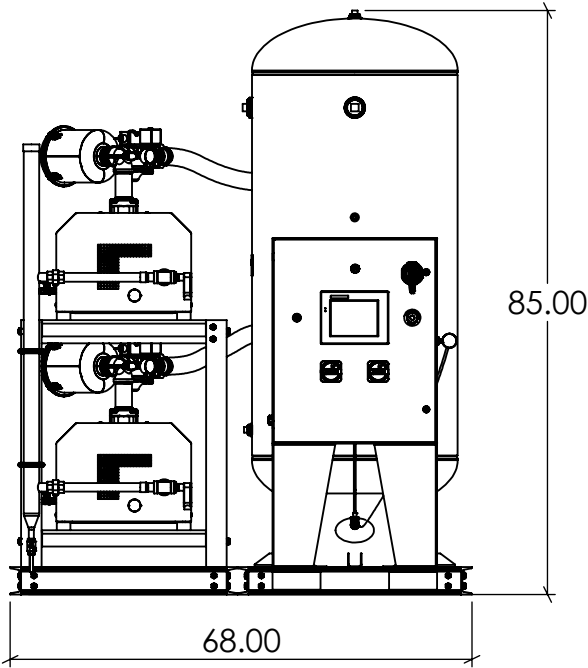
Isometric View (Front)

Isometric View (Back)



Left View

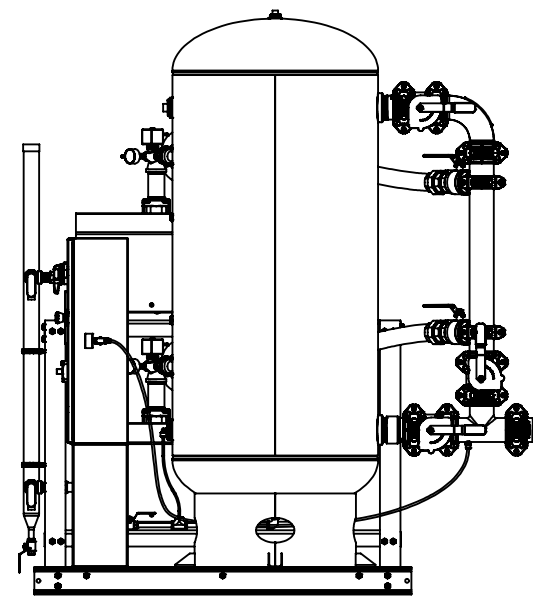
77.00



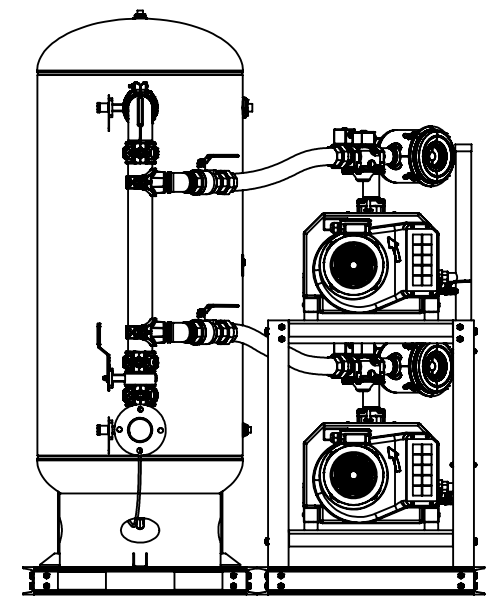
Front View

85.00

68.00



Right View



Back View



DESCRIPTION
Duplex 6.4 HP Lab Claw
Skid Assembly

DRAWN BY
SSC
DATE
11/29/2023

NOTE:
All dimensions in
Inches unless
otherwise noted

PART NO.
VC06D-XXL-20V
SCALE: 1:28

REV.	SIZE
1	B
SHEET: 1 of 2	

THIS DRAWING AND INFORMATION CONTAINED IN THIS DRAWING ARE CONFIDENTIAL PROPERTY OF AIR ENERGY GROUP. NO PART OF THIS DRAWING OR ANY INFORMATION CONTAINED IN THIS DRAWING MAY BE REPRODUCED OR TRANSFERRED WITHOUT THE WRITTEN PERMISSION OF AIR ENERGY GROUP.

6

5

4

3

2

1

6

5

4

3

2

1

1

D

D

C

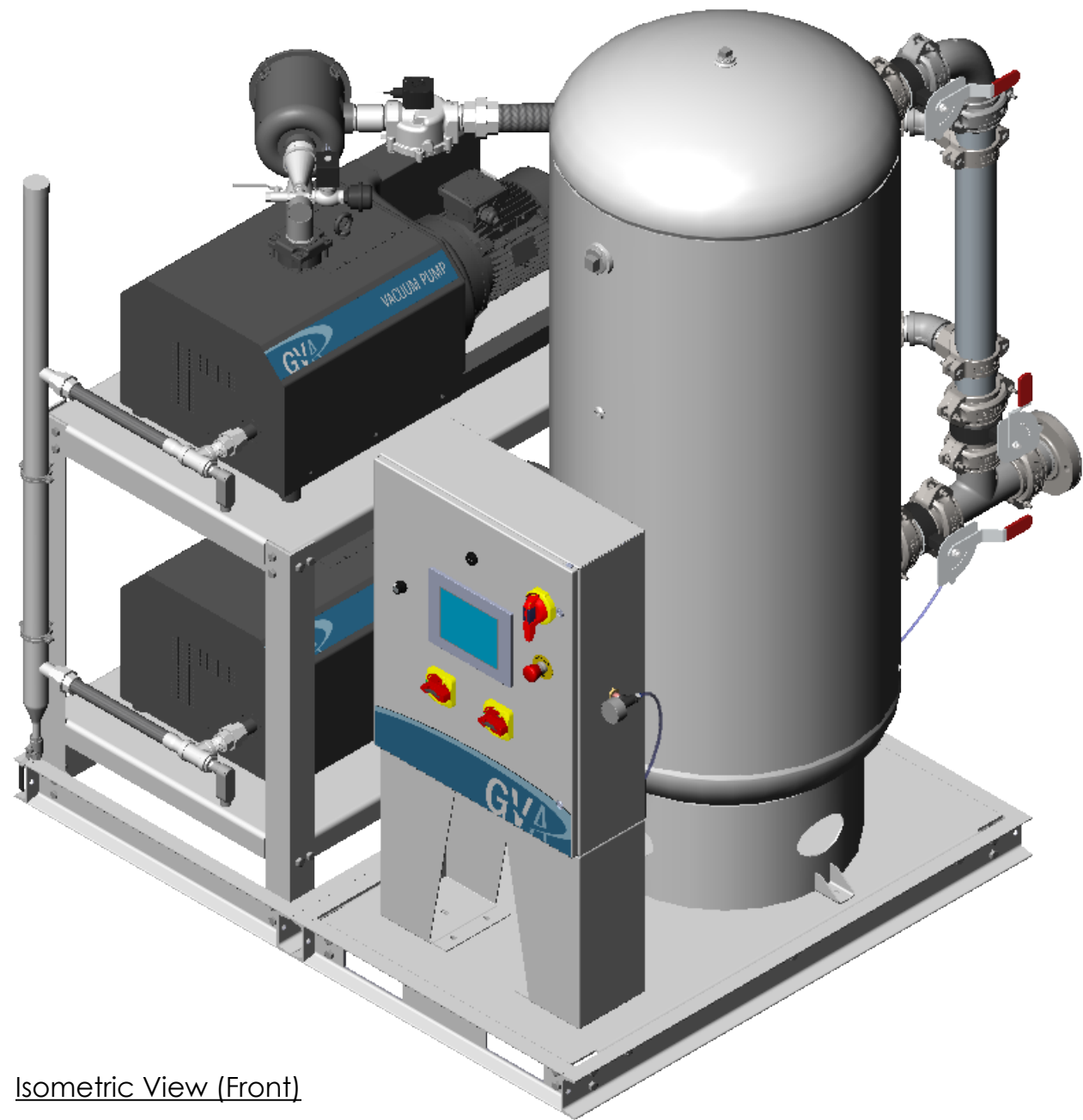
C

B

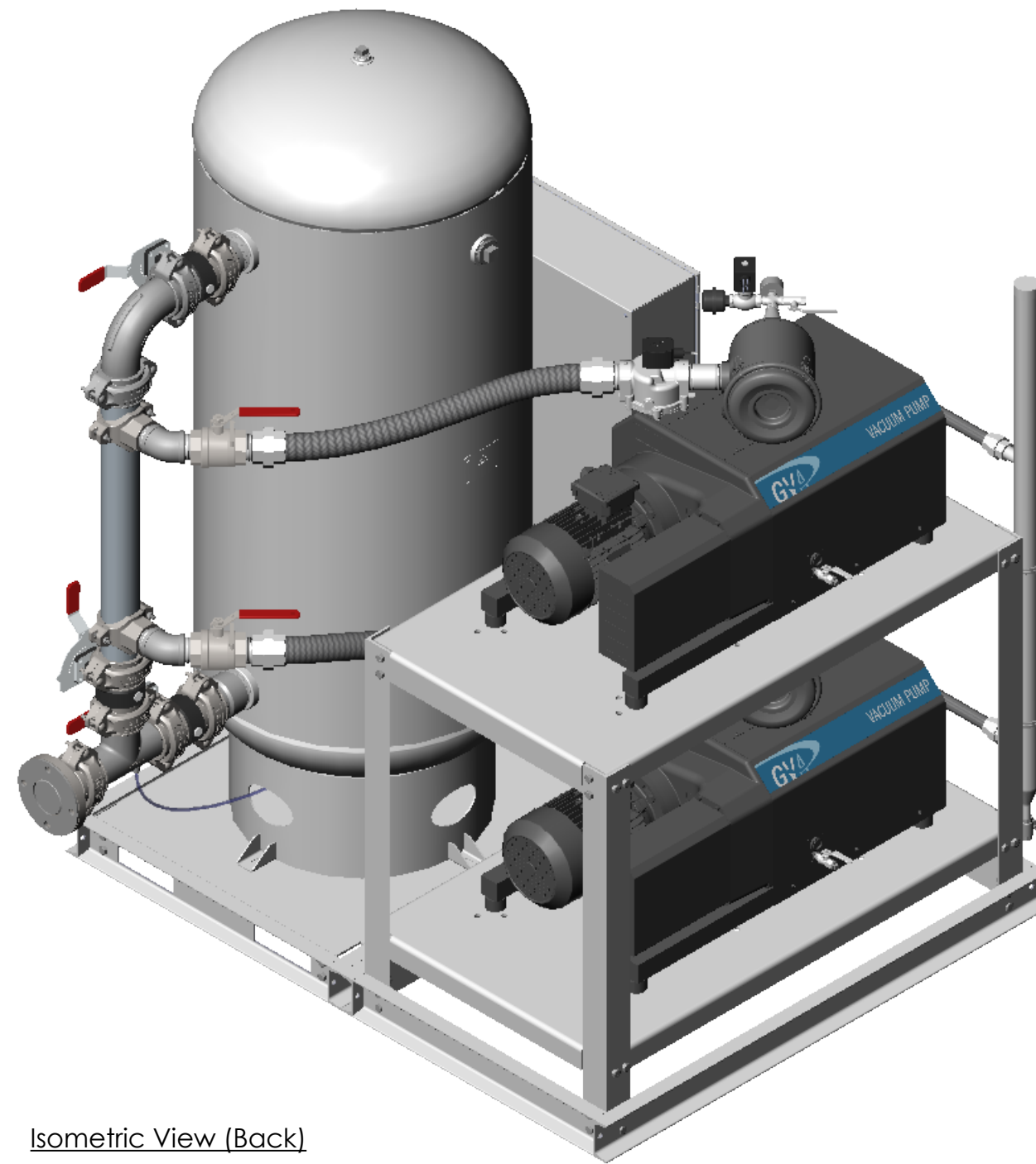
B

A

A



Isometric View (Front)



Isometric View (Back)



DESCRIPTION
Duplex 6.4 HP Lab Claw
Skid Assembly

DRAWN BY
SSC
DATE
11/29/2023

NOTE:
All dimensions in
Inches unless
otherwise noted

PART NO.
VC06D-XXL-20V

REV.
1
SIZE
B

SCALE: 1:14

SHEET: 2 of 2

THIS DRAWING AND INFORMATION CONTAINED IN THIS DRAWING ARE CONFIDENTIAL PROPERTY OF AIR ENERGY GROUP. NO PART OF THIS DRAWING OR ANY INFORMATION CONTAINED IN THIS DRAWING MAY BE REPRODUCED OR TRANSFERRED WITHOUT THE WRITTEN PERMISSION OF AIR ENERGY GROUP.

6

5

4

3

2

1

1