

6

5

4

3

2

1

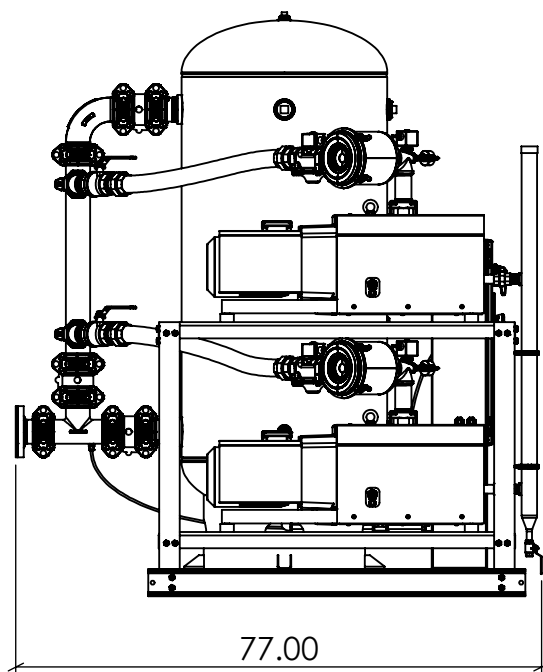
2" Discharge

1/2" Drain Valve

3" Inlet

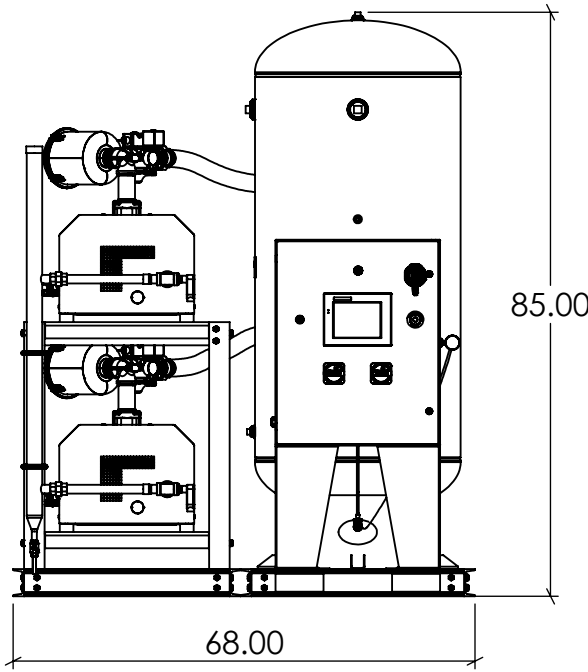
Isometric View (Front)

Isometric View (Back)



Left View

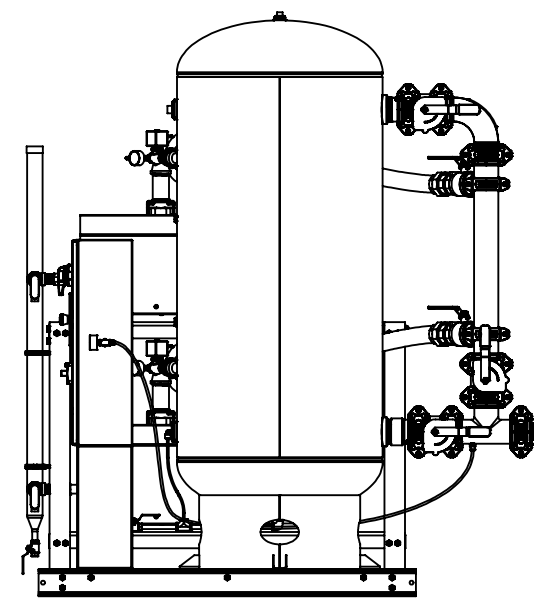
77.00



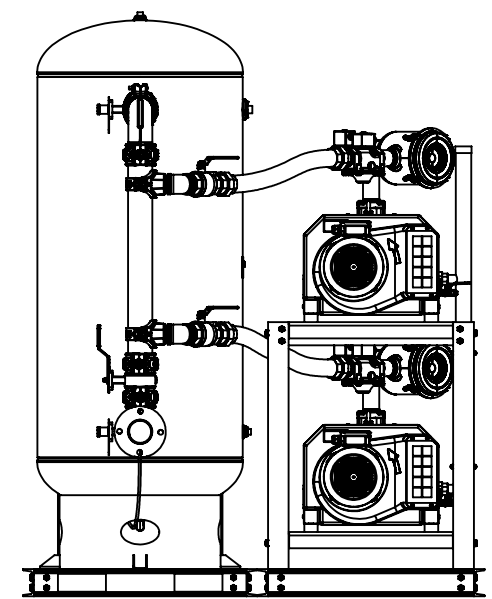
Front View

68.00

85.00



Right View



Back View



DESCRIPTION  
Duplex 7.5 HP Lab Claw  
Skid Assembly

DRAWN BY  
SSC

DATE  
11/30/2023

NOTE:  
All dimensions in  
Inches unless  
otherwise noted

PART NO.  
VC07D-XXL-20V

SCALE: 1:28

REV. SIZE  
B

SHEET: 1 of 2

THIS DRAWING AND INFORMATION CONTAINED IN THIS DRAWING ARE CONFIDENTIAL PROPERTY OF AIR ENERGY GROUP. NO PART OF THIS DRAWING OR ANY INFORMATION CONTAINED IN THIS DRAWING MAY BE REPRODUCED OR TRANSFERRED WITHOUT THE WRITTEN PERMISSION OF AIR ENERGY GROUP.

6

5

4

3

2

1

6

5

4

3

2

1

1

D

D

C

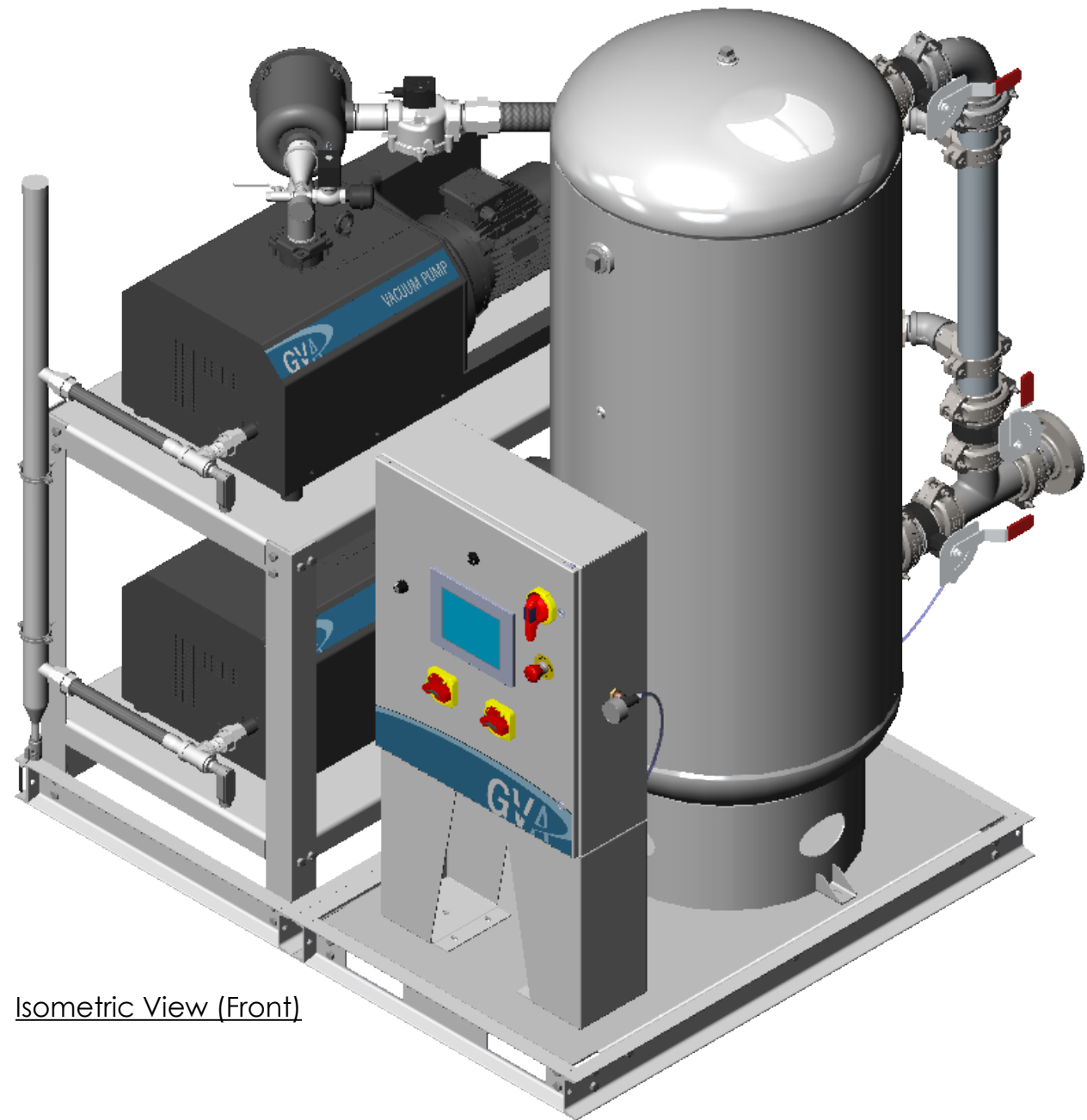
C

B

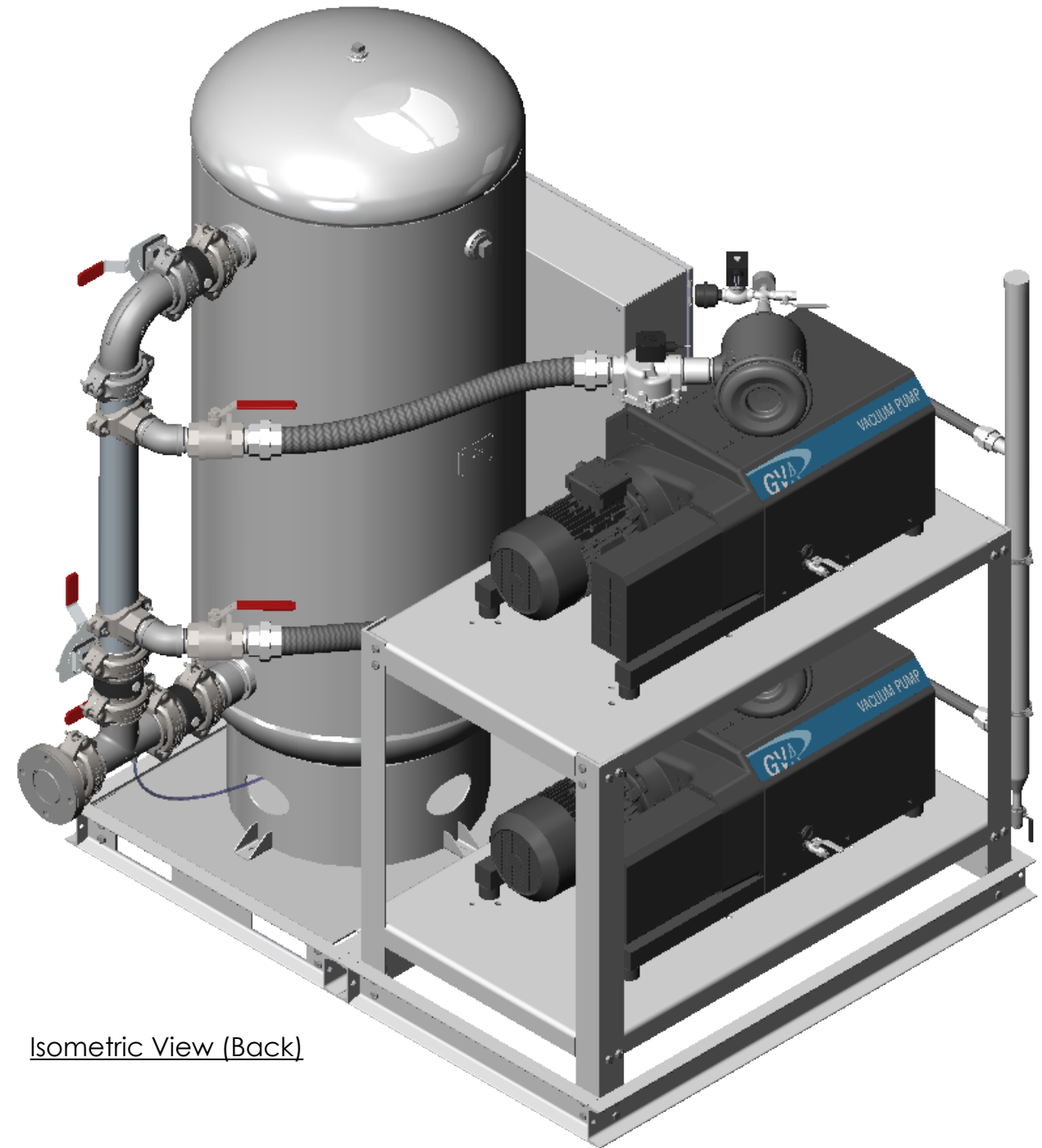
B

A

A



Isometric View (Front)



Isometric View (Back)

THIS DRAWING AND INFORMATION CONTAINED IN THIS DRAWING ARE CONFIDENTIAL PROPERTY OF AIR ENERGY GROUP. NO PART OF THIS DRAWING OR ANY INFORMATION CONTAINED IN THIS DRAWING MAY BE REPRODUCED OR TRANSFERRED WITHOUT THE WRITTEN PERMISSION OF AIR ENERGY GROUP.



DRAWN BY  
SSC  
DATE  
11/30/2023

NOTE:  
All dimensions in  
Inches unless  
otherwise noted

DESCRIPTION  
Duplex 7.5 HP Lab Claw  
Skid Assembly

PART NO.  
VC07D-XXL-20V

SCALE: 1:14

REV. SIZE  
B

SHEET: 2 of 2

6

5

4

3

2

1

1