

6

5

4

3

2

1

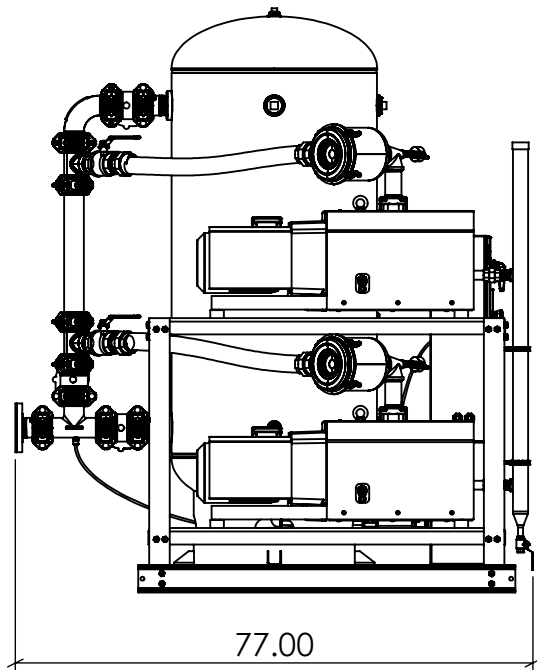
2" Discharge

1/2" Drain Valve

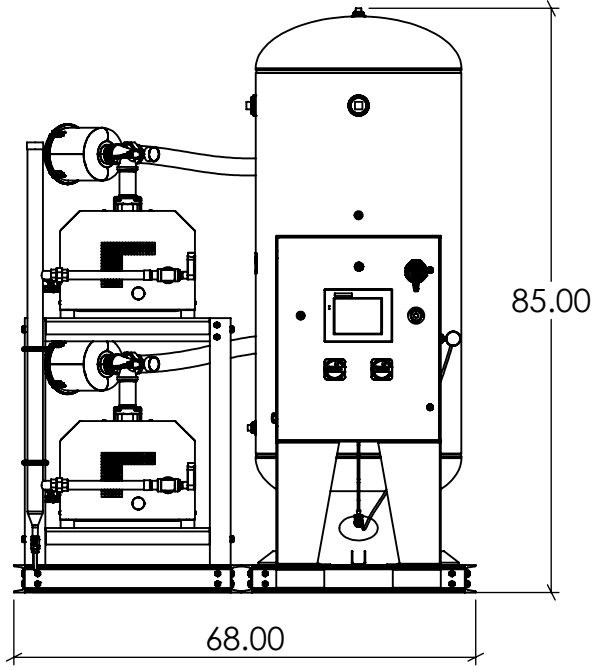
3" Inlet

Isometric View (Front)

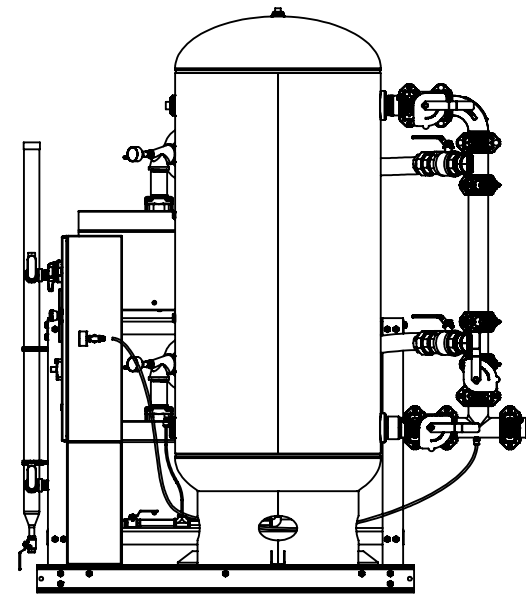
Isometric View (Back)



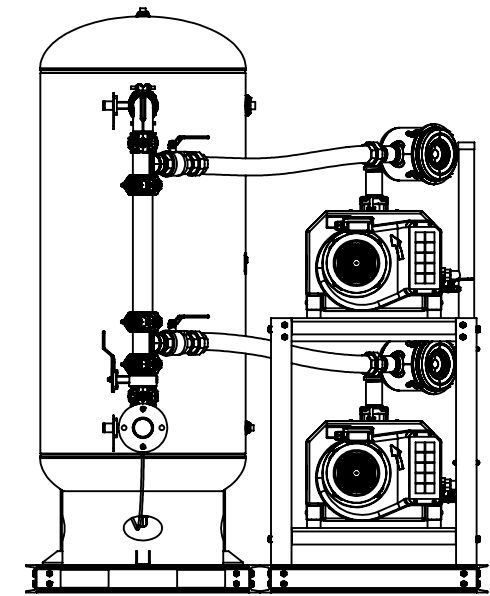
Left View



Front View



Right View



Back View



DESCRIPTION  
Duplex 7.5 HP Medical  
Claw Skid Assembly

DRAWN BY  
SSC  
DATE  
7/23/2024

NOTE:  
All dimensions in  
Inches unless  
otherwise noted

PART NO.  
VC07D-XXM-20V

REV. SIZE  
B

SCALE: 1:28

SHEET: 1 of 2

THIS DRAWING AND INFORMATION CONTAINED IN THIS DRAWING ARE CONFIDENTIAL PROPERTY OF AIR ENERGY GROUP. NO PART OF THIS DRAWING OR ANY INFORMATION CONTAINED IN THIS DRAWING MAY BE REPRODUCED OR TRANSFERRED WITHOUT THE WRITTEN PERMISSION OF AIR ENERGY GROUP.

6

5

4

3

2

1

6

5

4

3

2

1

1

D

D

C

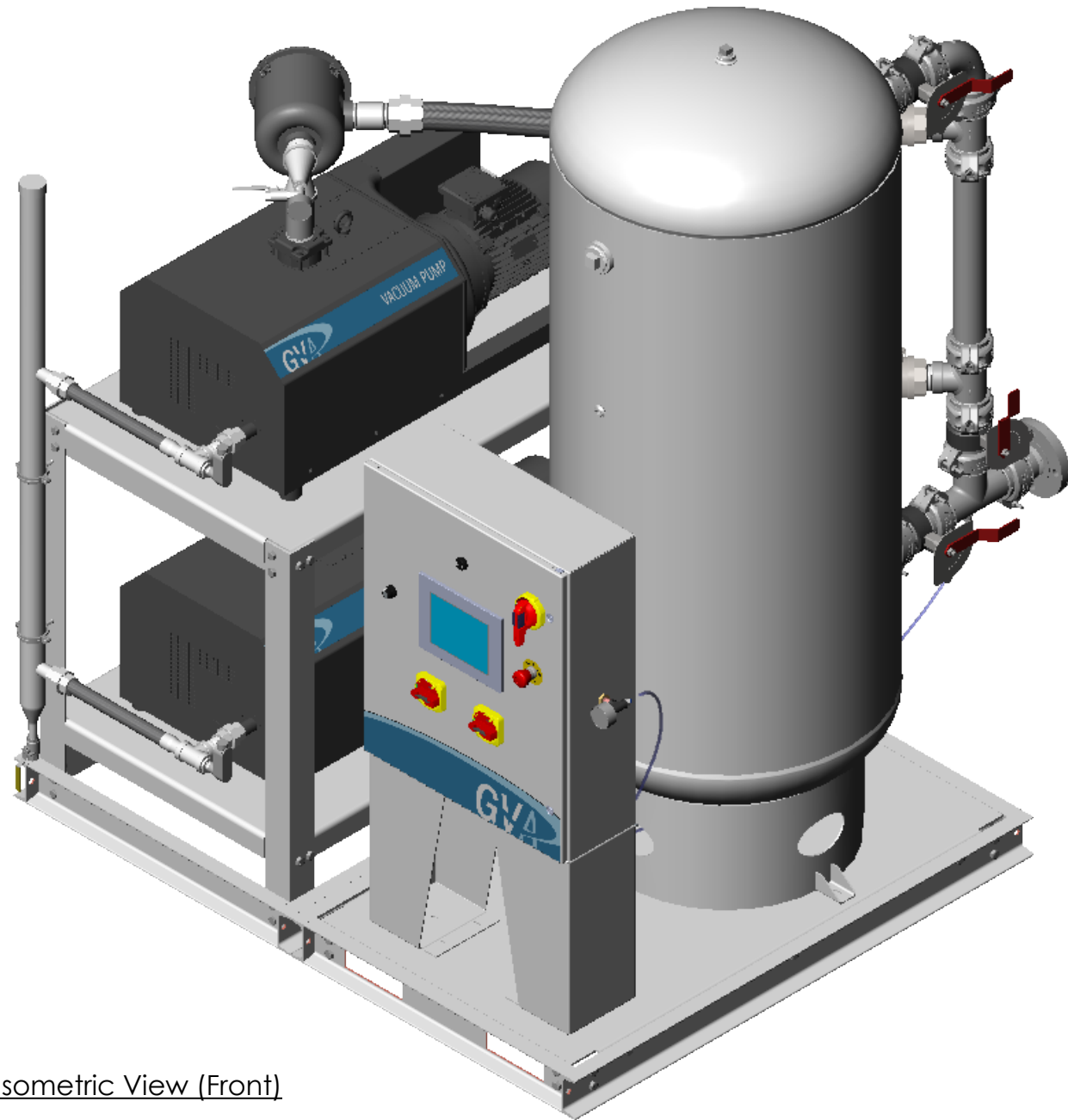
C

B

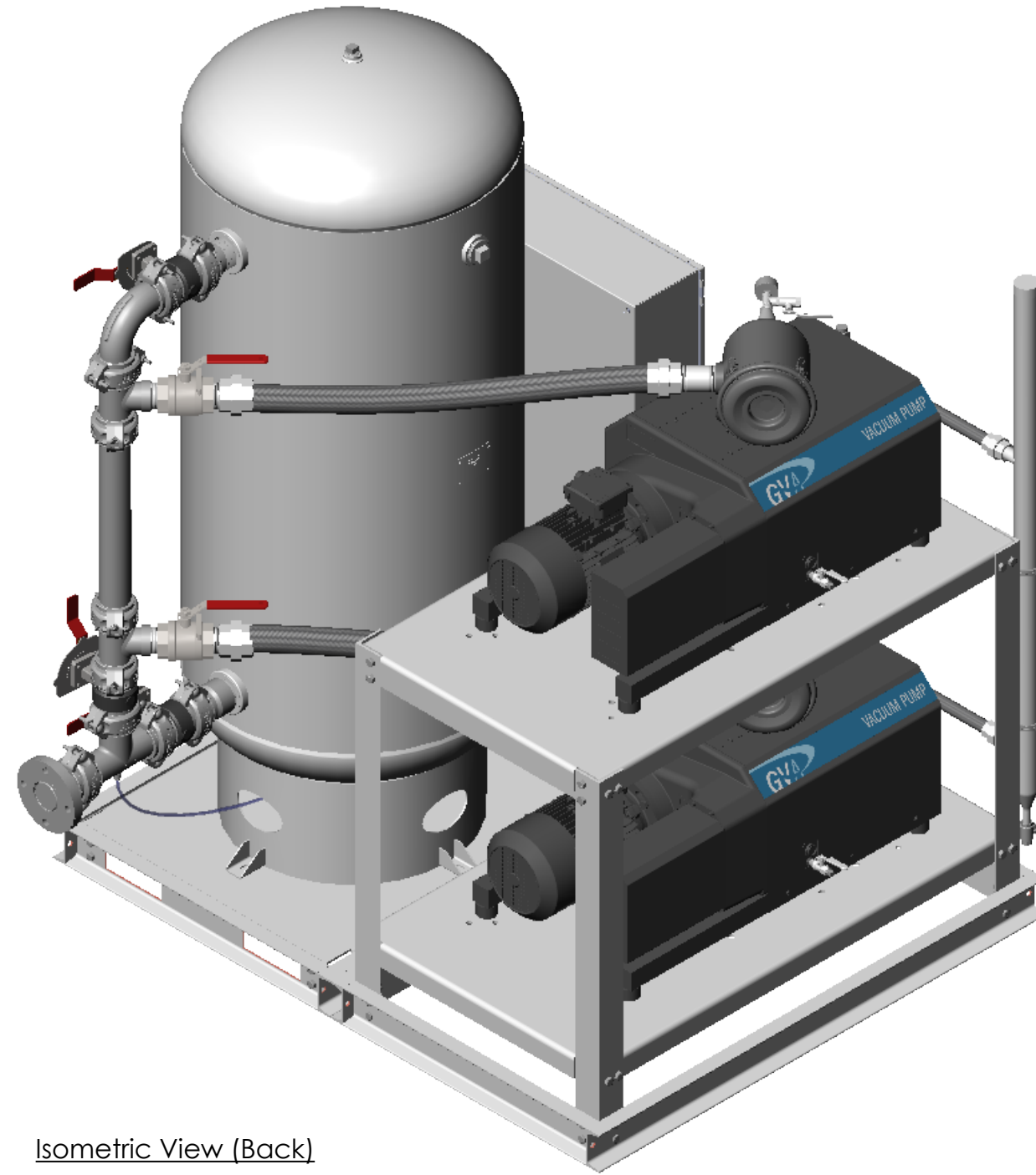
B

A

A



Isometric View (Front)



Isometric View (Back)



DESCRIPTION  
Duplex 7.5 HP Medical  
Claw Skid Assembly

THIS DRAWING AND INFORMATION CONTAINED IN THIS DRAWING ARE CONFIDENTIAL PROPERTY OF AIR ENERGY GROUP. NO PART OF THIS DRAWING OR ANY INFORMATION CONTAINED IN THIS DRAWING MAY BE REPRODUCED OR TRANSFERRED WITHOUT THE WRITTEN PERMISSION OF AIR ENERGY GROUP.

DRAWN BY  
SSC  
DATE  
7/23/2024

NOTE:  
All dimensions in  
Inches unless  
otherwise noted

PART NO. VC07D-XXM-20V	REV.	SIZE B
SCALE: 1:14	SHEET: 2 of 2	

6

5

4

3

2

1

1