

6

5

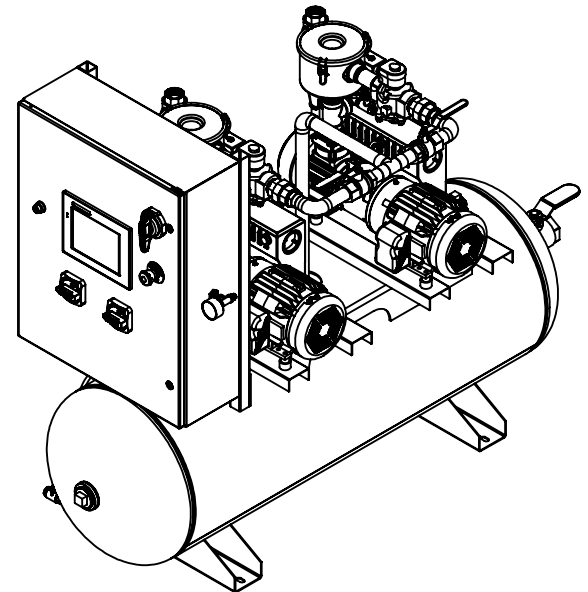
4

3

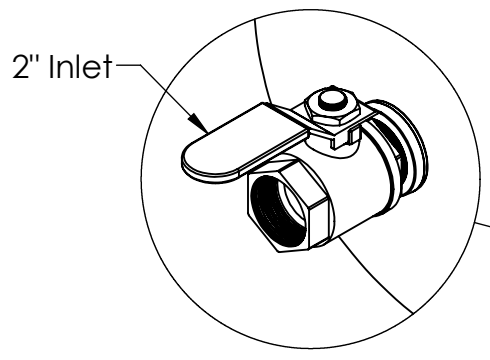
2

2

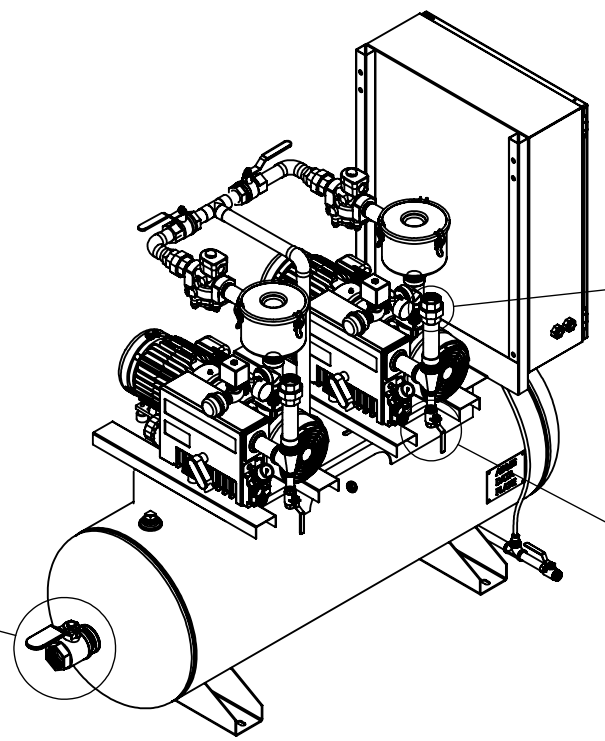
1



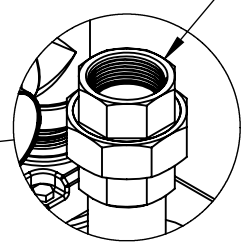
Isometric View (Front)



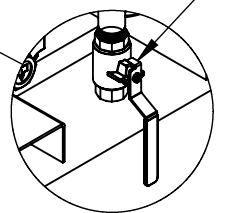
2" Inlet



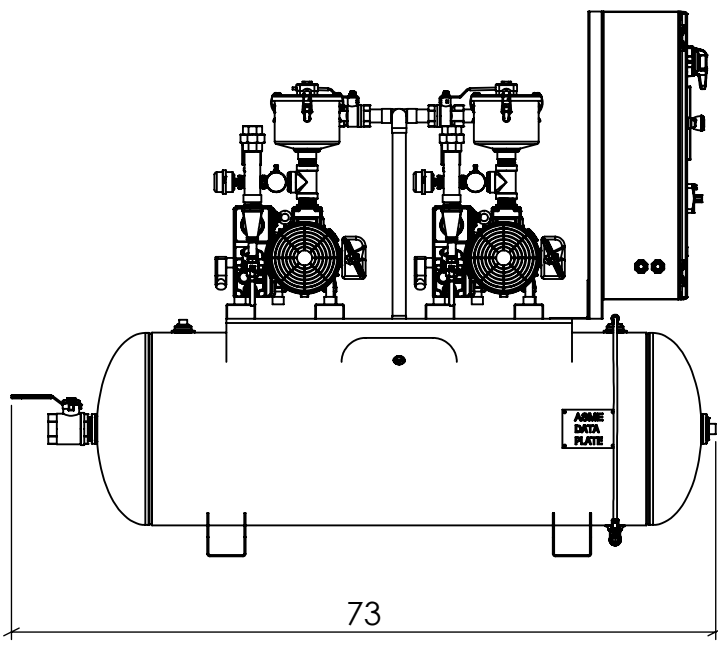
Isometric View (Back)



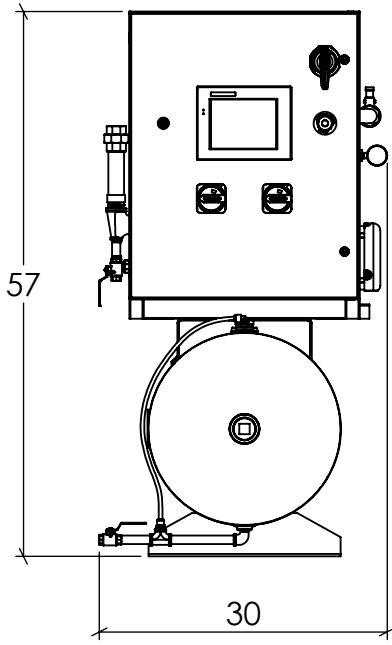
1 1/4" Exhaust



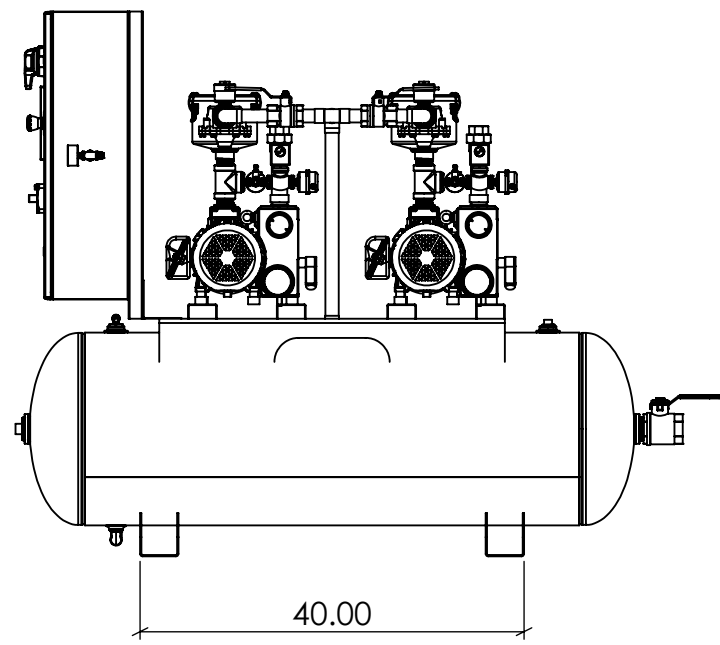
1/2" Drain Valve



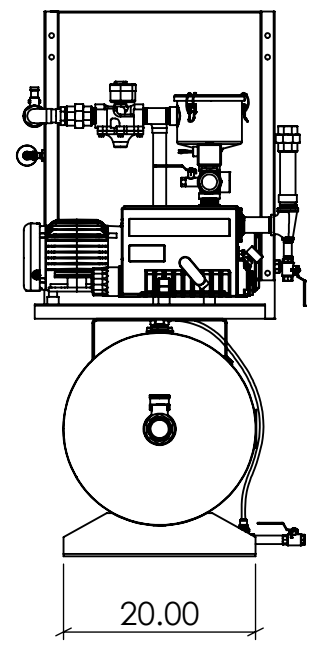
Left View



Front View



Right View



Back View



DESCRIPTION  
Duplex 1 HP Rotary Vane  
Lab Skid Assembly

DRAWN BY  
SSC

DATE  
7/11/2024

NOTE:  
All dimensions in  
Inches unless  
otherwise noted

PART NO.  
VR01B-XXL-08H

SCALE: 1:20

REV. SIZE  
B

SHEET: 1 of 2

THIS DRAWING AND INFORMATION CONTAINED IN THIS DRAWING ARE CONFIDENTIAL PROPERTY OF AIR ENERGY GROUP. NO PART OF THIS DRAWING OR ANY INFORMATION CONTAINED IN THIS DRAWING MAY BE REPRODUCED OR TRANSFERRED WITHOUT THE WRITTEN PERMISSION OF AIR ENERGY GROUP.

6

5

4

3

2

2

1

6

5

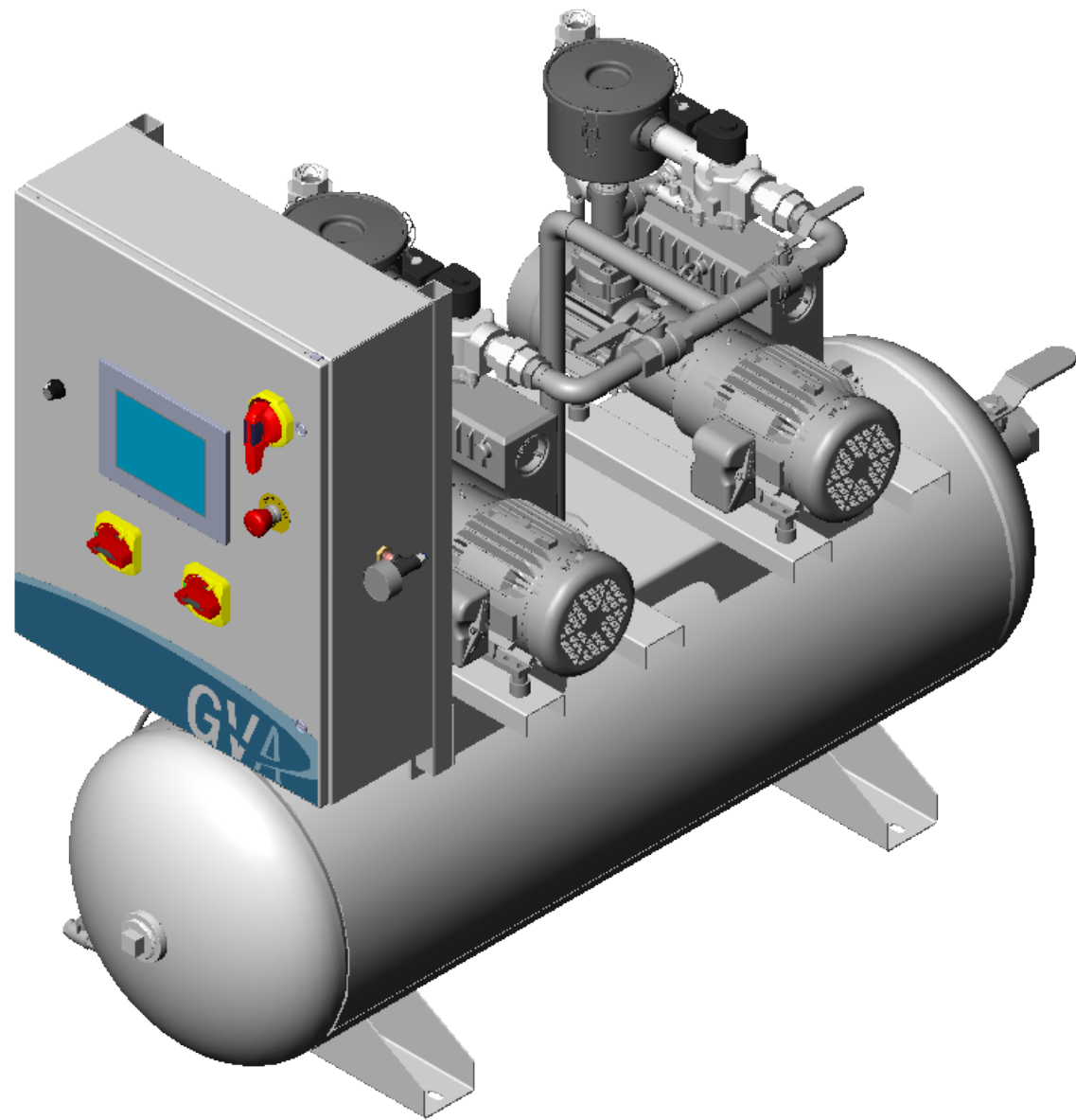
4

3

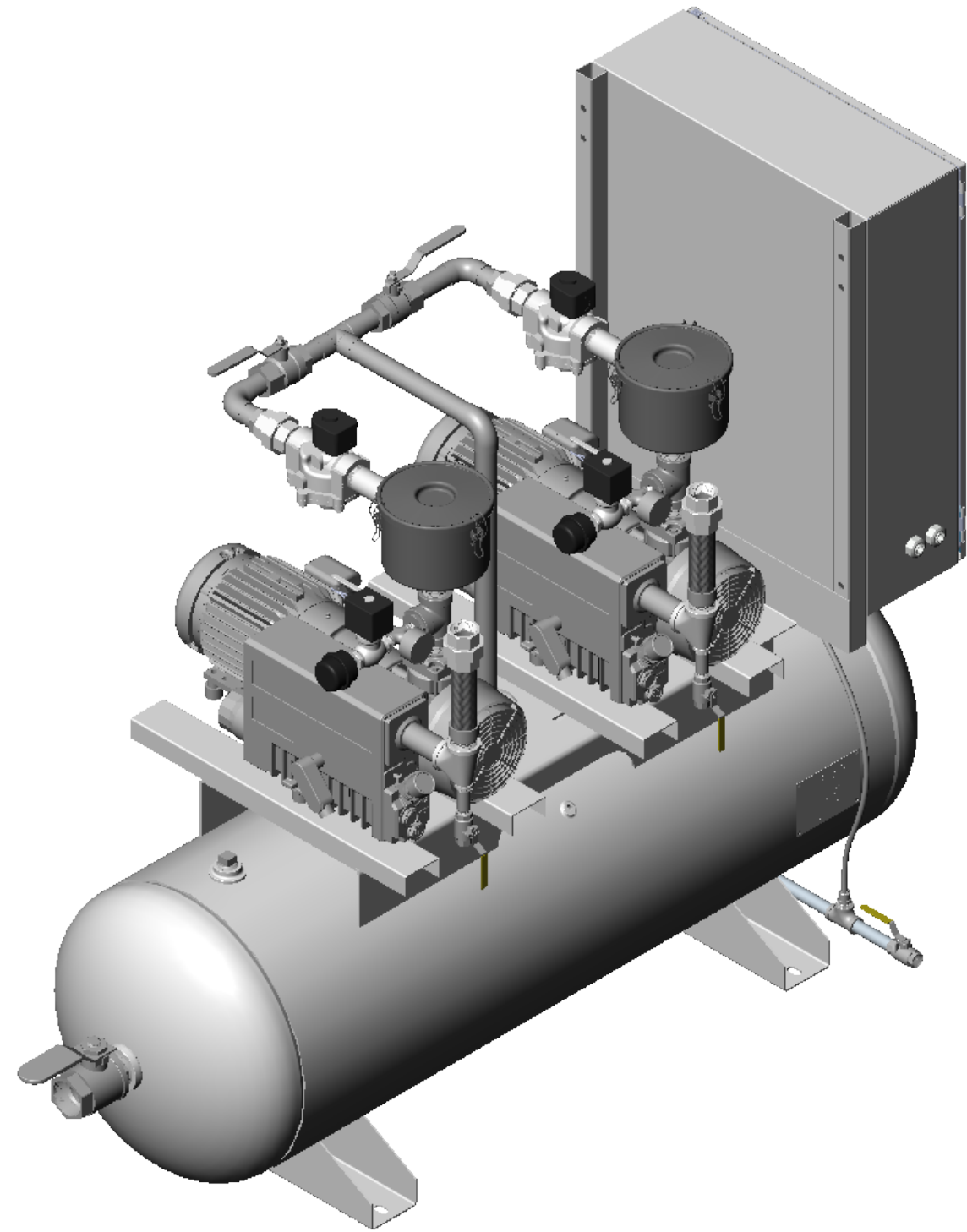
2

1

1



Isometric View (Front)



Isometric View (Back)



DESCRIPTION  
Duplex 1 HP Rotary Vane  
Lab Skid Assembly

DRAWN BY  
SSC

DATE  
7/11/2024

NOTE:  
All dimensions in  
Inches unless  
otherwise noted

PART NO.  
VR01B-XXL-08H

SCALE: 1:10

REV. SIZE  
B

SHEET: 2 of 2

THIS DRAWING AND INFORMATION CONTAINED IN THIS DRAWING ARE CONFIDENTIAL PROPERTY OF AIR ENERGY GROUP. NO PART OF THIS DRAWING OR ANY INFORMATION CONTAINED IN THIS DRAWING MAY BE REPRODUCED OR TRANSFERRED WITHOUT THE WRITTEN PERMISSION OF AIR ENERGY GROUP.

6

5

4

3

2

1

1