

6

5

4

3

2

1

1 1/2" Pump Discharge

1/2" Drain Valve

1/2" Drip Leg

Isometric View (Front)

Isometric View (Back)

2" Inlet Valve

55.00

40.00

82.00

52.00

34.00

Left View

Front View

Right View

Back View



DESCRIPTION
Duplex 1 HP Lab Rotary Vane
Skid Assembly

DRAWN BY
SSC

NOTE:
All dimensions in
Inches unless
otherwise noted

PART NO.
VR01F-XXL-08V

REV. SIZE
B

DATE
7/11/2024

SCALE: 1:24

SHEET: 1 of 2

THIS DRAWING AND INFORMATION CONTAINED IN THIS DRAWING
ARE CONFIDENTIAL PROPERTY OF AIR ENERGY GROUP. NO PART OF
THIS DRAWING OR ANY INFORMATION CONTAINED IN THIS
DRAWING MAY BE REPRODUCED OR TRANSFERRED WITHOUT THE
WRITTEN PERMISSION OF AIR ENERGY GROUP.

6

5

4

3

2

1

D

D

C

C

B

B

A

A

6

5

4

3

2

1

1

D

D

C

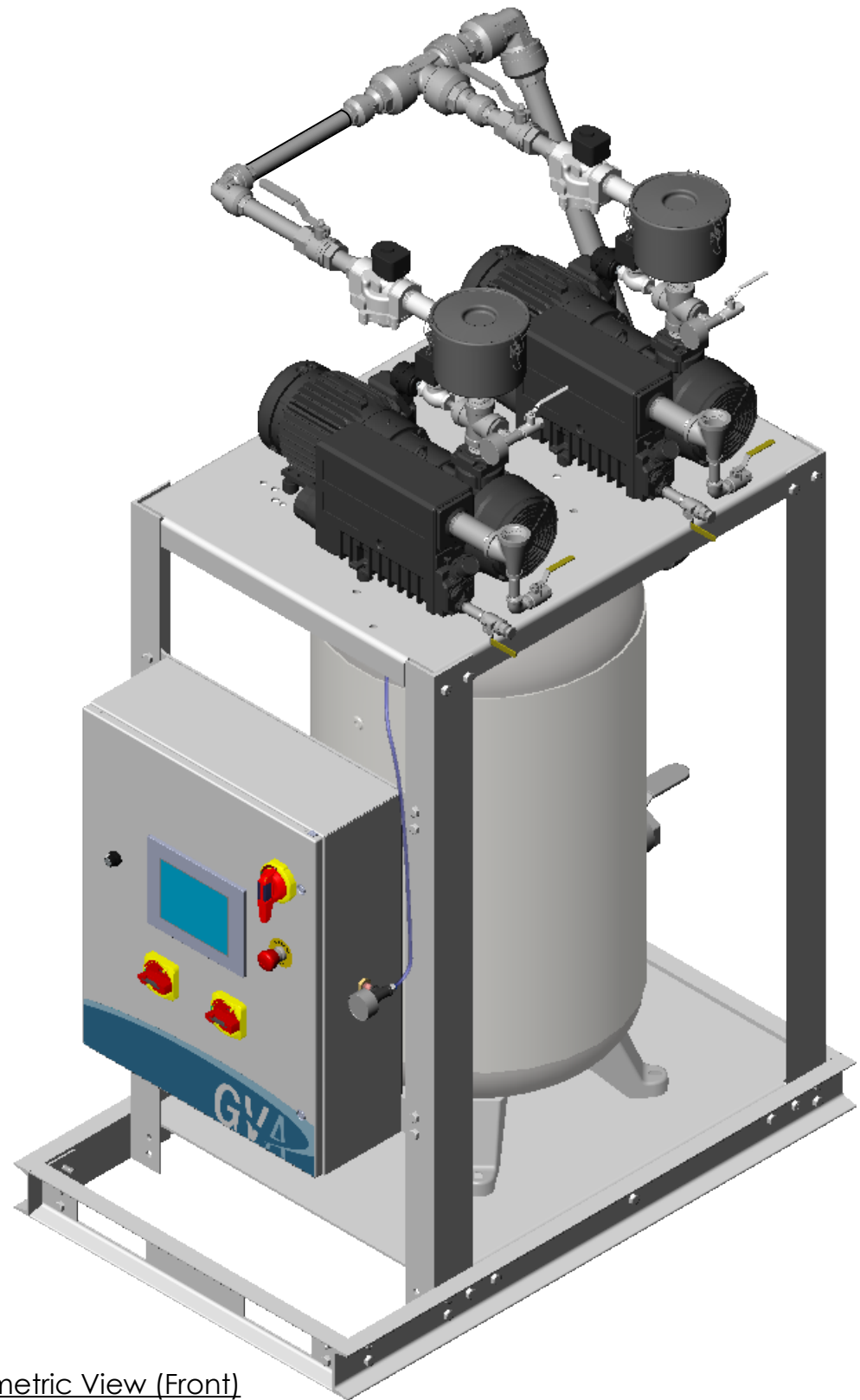
C

B

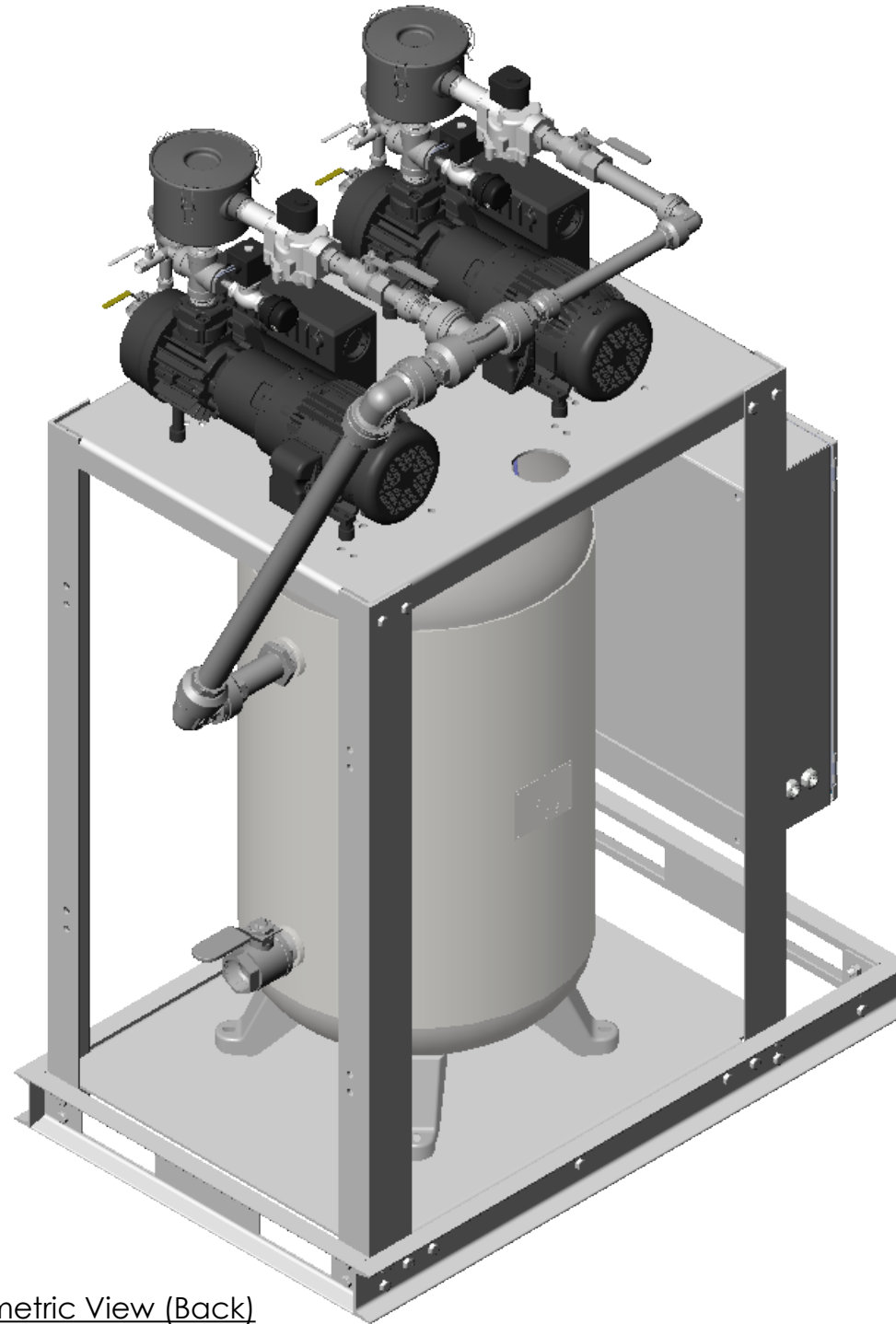
B

A

A



Isometric View (Front)



Isometric View (Back)

THIS DRAWING AND INFORMATION CONTAINED IN THIS DRAWING ARE CONFIDENTIAL PROPERTY OF AIR ENERGY GROUP. NO PART OF THIS DRAWING OR ANY INFORMATION CONTAINED IN THIS DRAWING MAY BE REPRODUCED OR TRANSFERRED WITHOUT THE WRITTEN PERMISSION OF AIR ENERGY GROUP.

		DESCRIPTION	
		Duplex 1 HP Lab Rotary Vane Skid Assembly	
DRAWN BY SSC	NOTE: All dimensions in Inches unless otherwise noted	PART NO.	REV.
DATE 7/11/2024		VR01F-XXL-08V	B
		SCALE: 1:12	SHEET: 2 of 2

6

5

4

3

2

1

1