

6

5

4

3

2

1

1 1/2" Pump Discharge

1/2" Drain Valve

1/2" Drip Leg

Isometric View (Front)

Isometric View (Back)

2" Inlet Valve

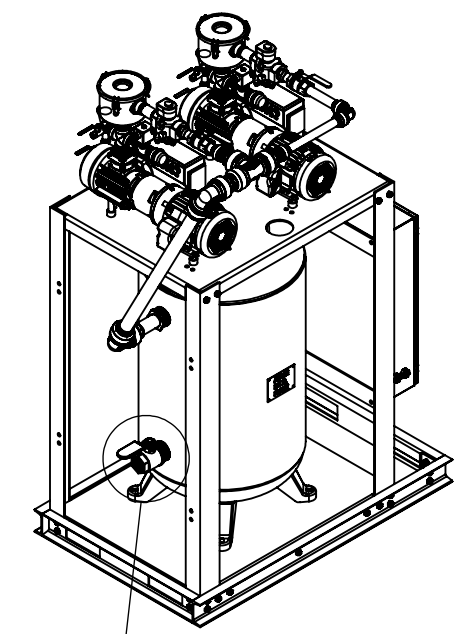
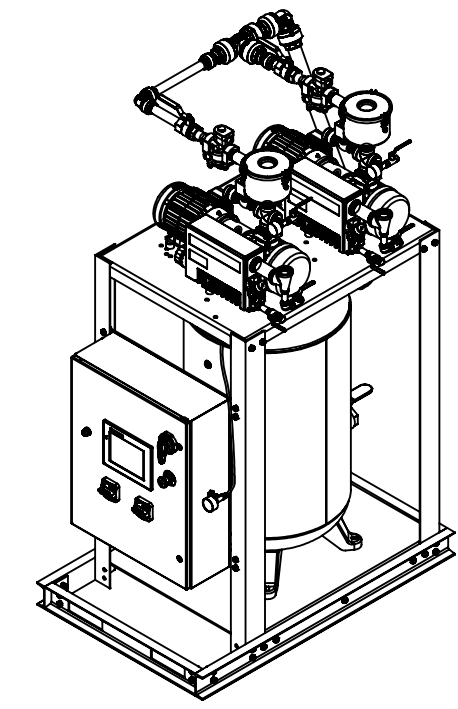
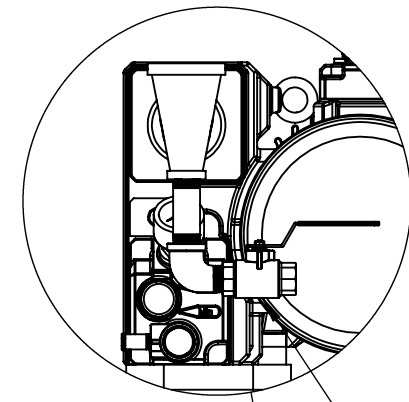
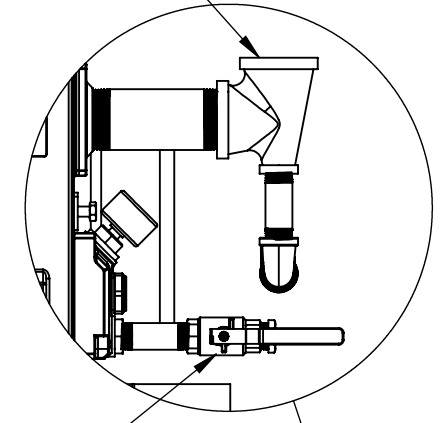
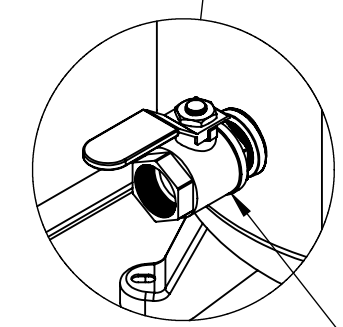
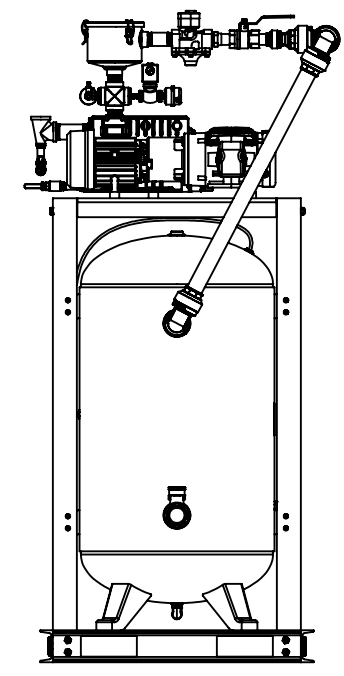
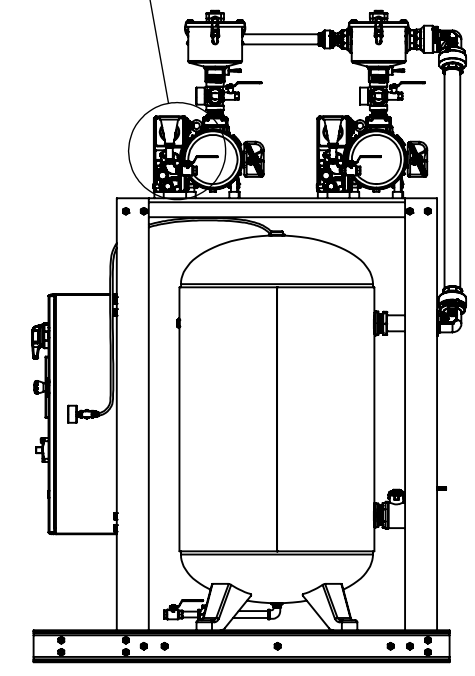
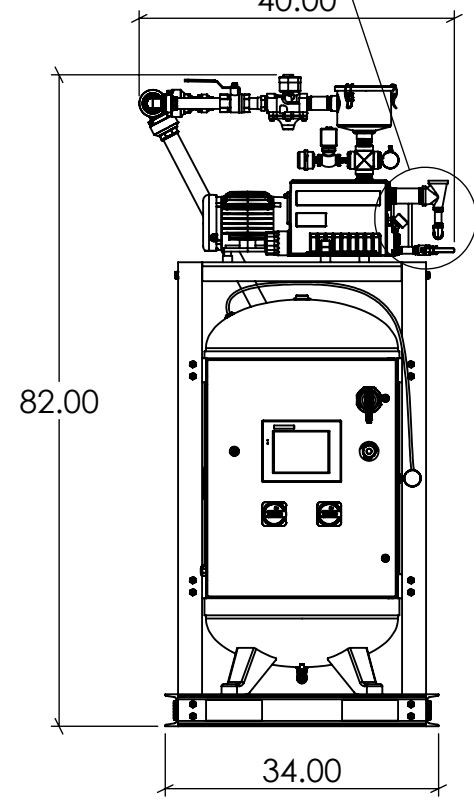
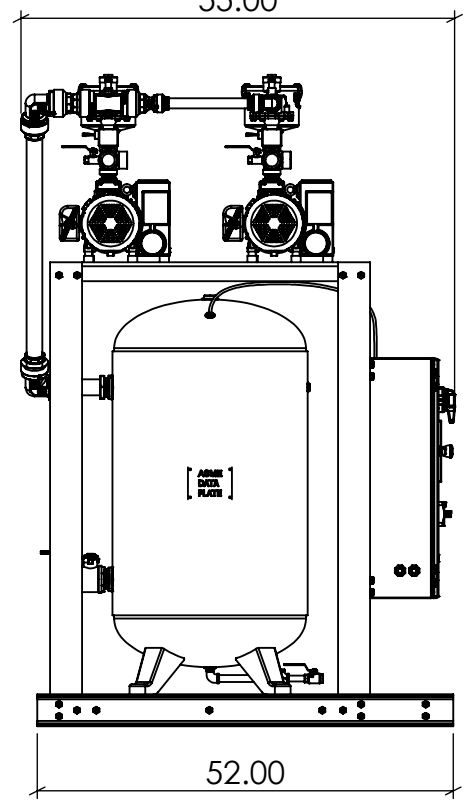
55.00

40.00

82.00

52.00

34.00



Left View

Front View

Right View

Back View



DESCRIPTION  
Duplex 2 HP Lab Rotary Vane Skid Assembly

DRAWN BY  
SSC

DATE  
7/8/2024

NOTE:  
All dimensions in  
Inches unless  
otherwise noted

PART NO.  
VR02F-XXL-08V

SCALE: 1:24

REV. SIZE  
1 B

SHEET: 1 of 2

THIS DRAWING AND INFORMATION CONTAINED IN THIS DRAWING ARE CONFIDENTIAL PROPERTY OF AIR ENERGY GROUP. NO PART OF THIS DRAWING OR ANY INFORMATION CONTAINED IN THIS DRAWING MAY BE REPRODUCED OR TRANSFERRED WITHOUT THE WRITTEN PERMISSION OF AIR ENERGY GROUP.

6

5

4

3

2

1

D

C

B

A

D

C

B

A

6

5

4

3

2

1

1

D

D

C

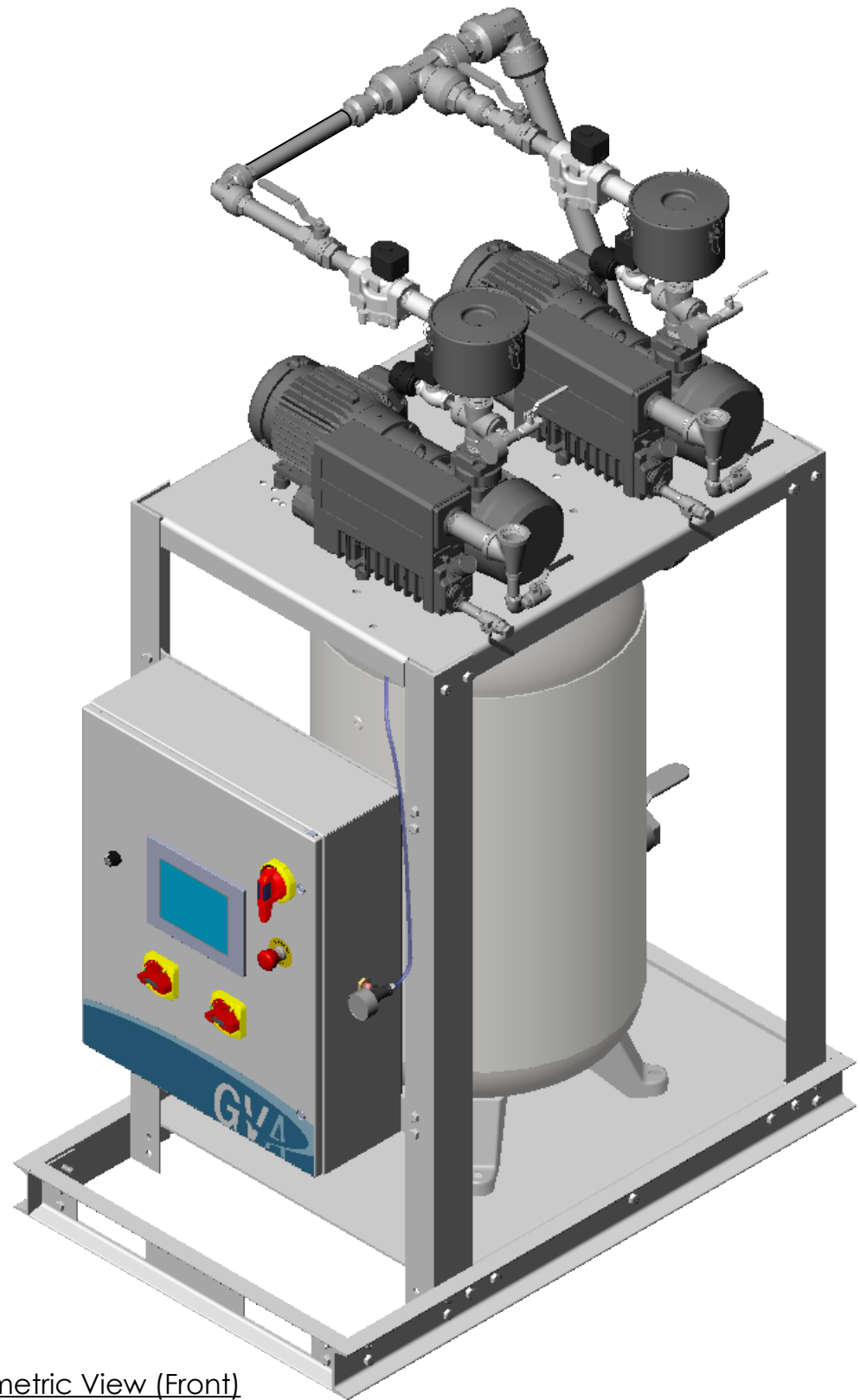
C

B

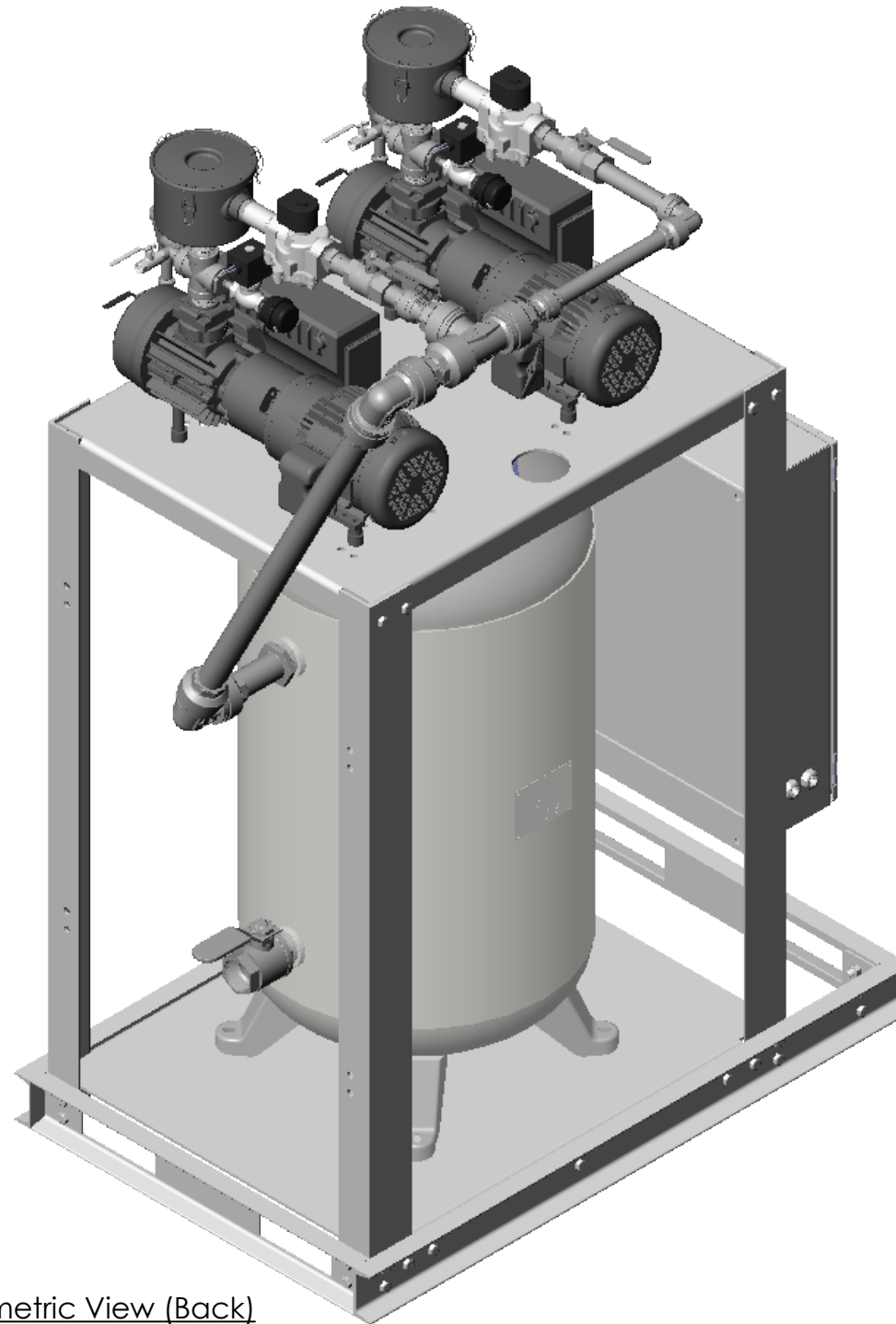
B

A

A



Isometric View (Front)



Isometric View (Back)

		DESCRIPTION			
		Duplex 2 HP Lab Rotary Vane Skid Assembly			
DRAWN BY SSC		NOTE: All dimensions in Inches unless otherwise noted	PART NO.	REV.	SIZE
DATE 7/8/2024			VR02F-XXL-08V	1	B
			SCALE: 1:12	SHEET: 2 of 2	

THIS DRAWING AND INFORMATION CONTAINED IN THIS DRAWING ARE CONFIDENTIAL PROPERTY OF AIR ENERGY GROUP. NO PART OF THIS DRAWING OR ANY INFORMATION CONTAINED IN THIS DRAWING MAY BE REPRODUCED OR TRANSFERRED WITHOUT THE WRITTEN PERMISSION OF AIR ENERGY GROUP.

6

5

4

3

2

1

1