

6

5

4

3

2

1

1 1/2" Pump Discharge

1/2" Drain Valve

1/2" Drip Leg

Isometric View (Front)

Isometric View (Back)

55.00

40.00

82.00

52.00

34.00

2" Inlet Valve

Left View

Front View

Right View

Back View



DESCRIPTION
Duplex 3 HP Lab Rotary Vane
Skid Assembly

DRAWN BY
SSC

NOTE:
All dimensions in
Inches unless
otherwise noted

PART NO.
VR03F-XXL-08V

REV. SIZE
B

THIS DRAWING AND INFORMATION CONTAINED IN THIS DRAWING
ARE CONFIDENTIAL PROPERTY OF AIR ENERGY GROUP. NO PART OF
THIS DRAWING OR ANY INFORMATION CONTAINED IN THIS
DRAWING MAY BE REPRODUCED OR TRANSFERRED WITHOUT THE
WRITTEN PERMISSION OF AIR ENERGY GROUP.

DATE
7/8/2024

SCALE: 1:24

SHEET: 1 of 2

6

5

4

3

2

1

6

5

4

3

2

1

1

D

D

C

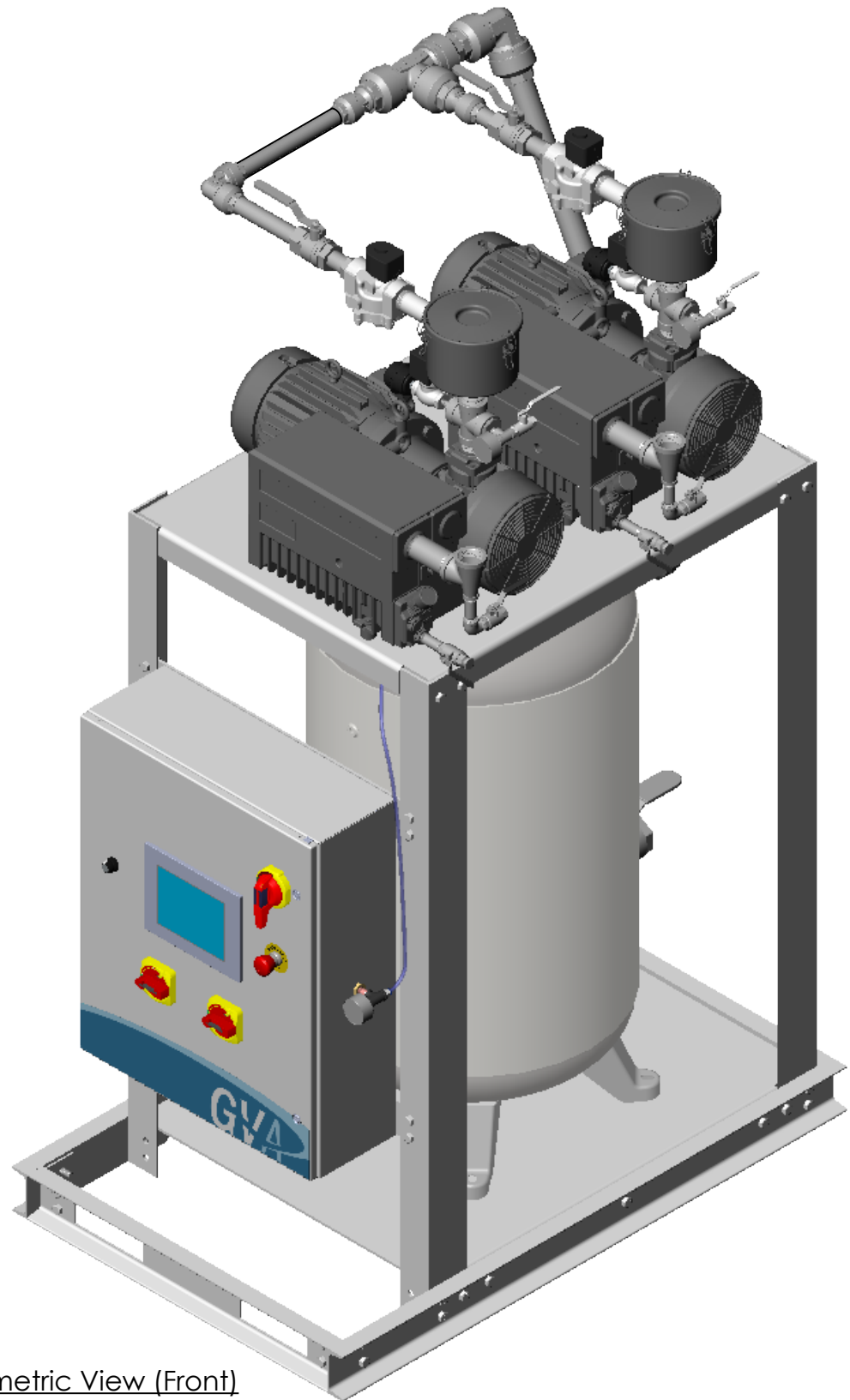
C

B

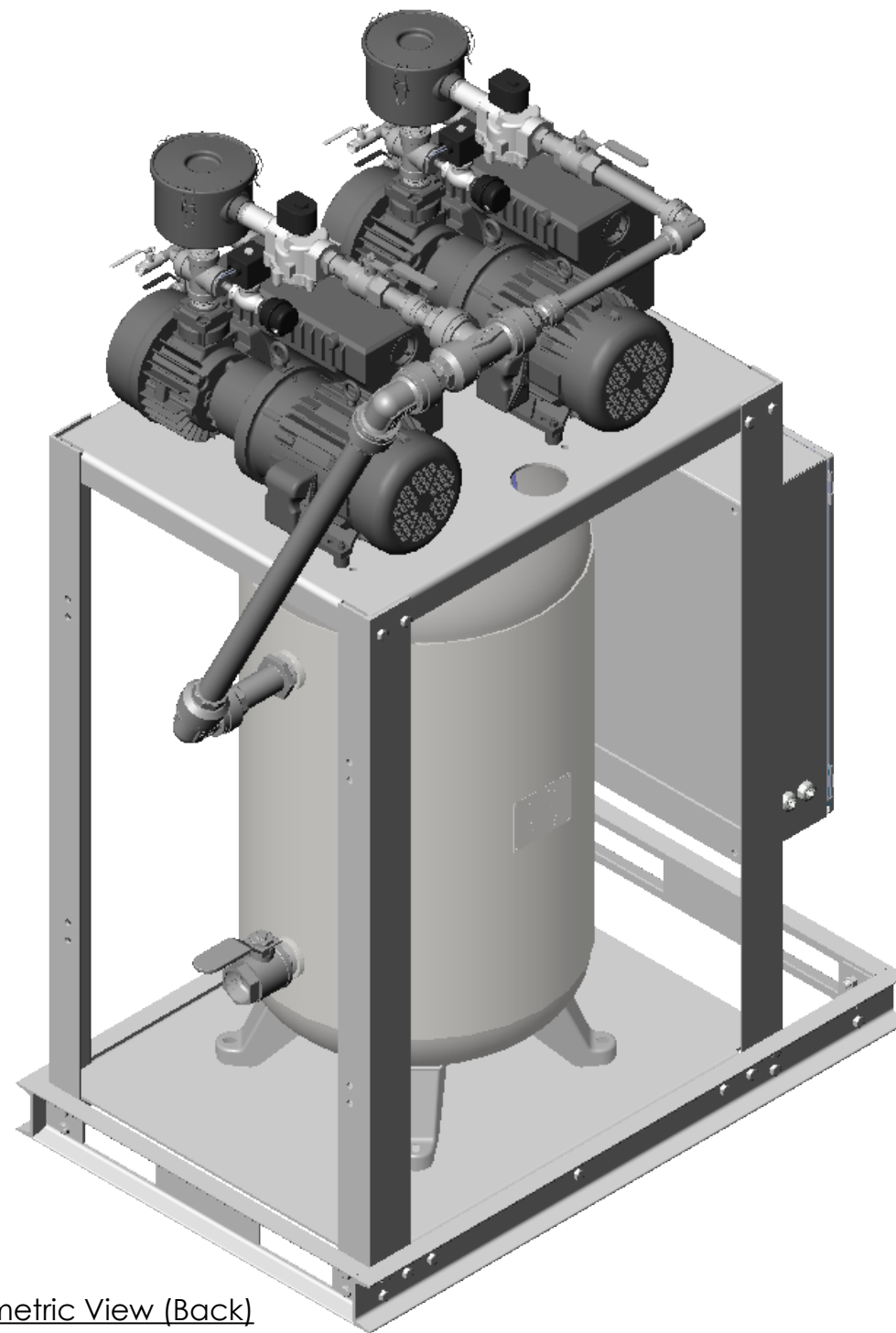
B

A

A



Isometric View (Front)



Isometric View (Back)

THIS DRAWING AND INFORMATION CONTAINED IN THIS DRAWING ARE CONFIDENTIAL PROPERTY OF AIR ENERGY GROUP. NO PART OF THIS DRAWING OR ANY INFORMATION CONTAINED IN THIS DRAWING MAY BE REPRODUCED OR TRANSFERRED WITHOUT THE WRITTEN PERMISSION OF AIR ENERGY GROUP.



DESCRIPTION
Duplex 3 HP Lab Rotary Vane Skid Assembly

DRAWN BY
SSC

NOTE:
All dimensions in
Inches unless
otherwise noted

DATE
7/8/2024

PART NO.
VR03F-XXL-08V

REV. SIZE
B

SCALE: 1:12

SHEET: 2 of 2

6

5

4

3

2

1

1