

6

5

4

3

2

1

D

D

C

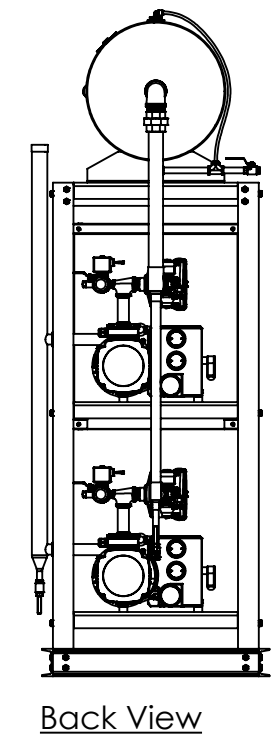
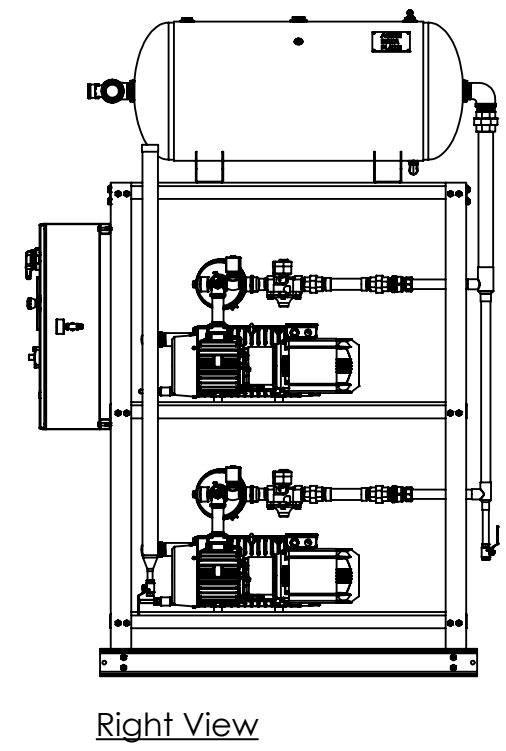
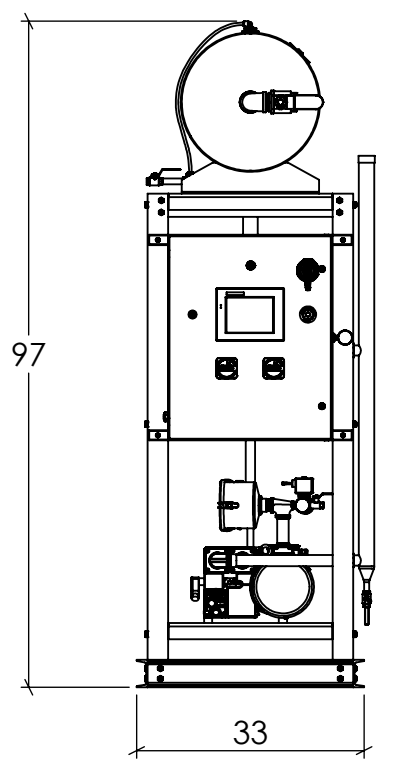
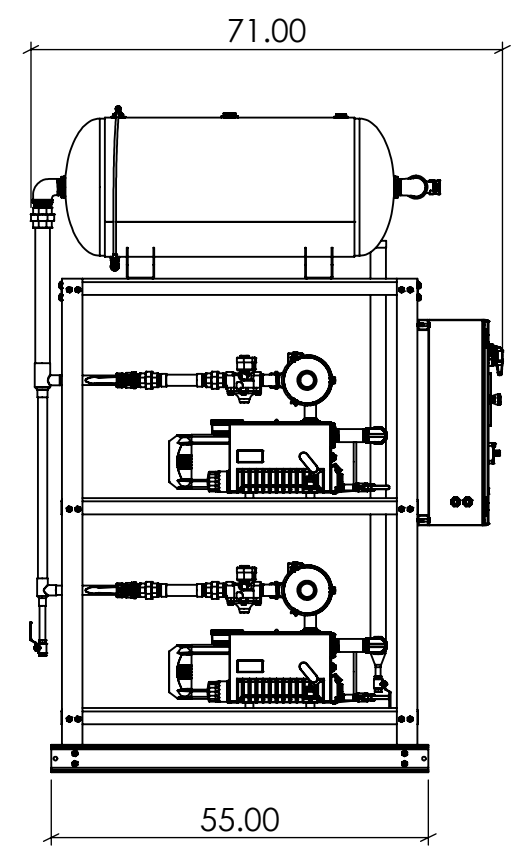
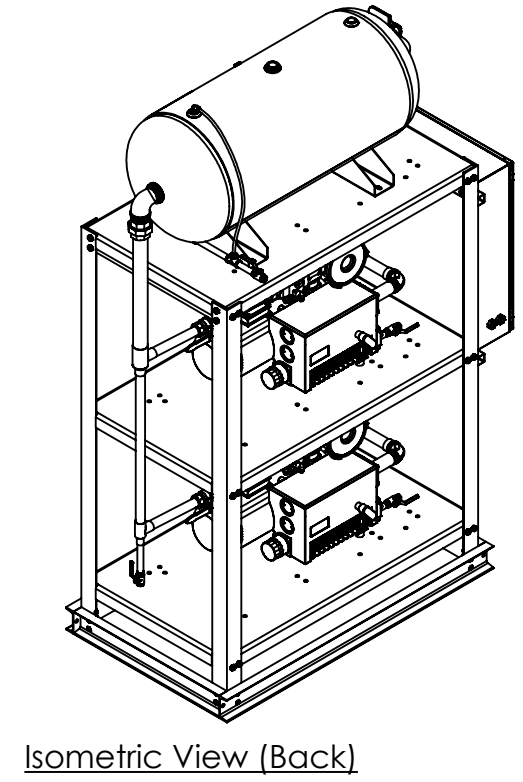
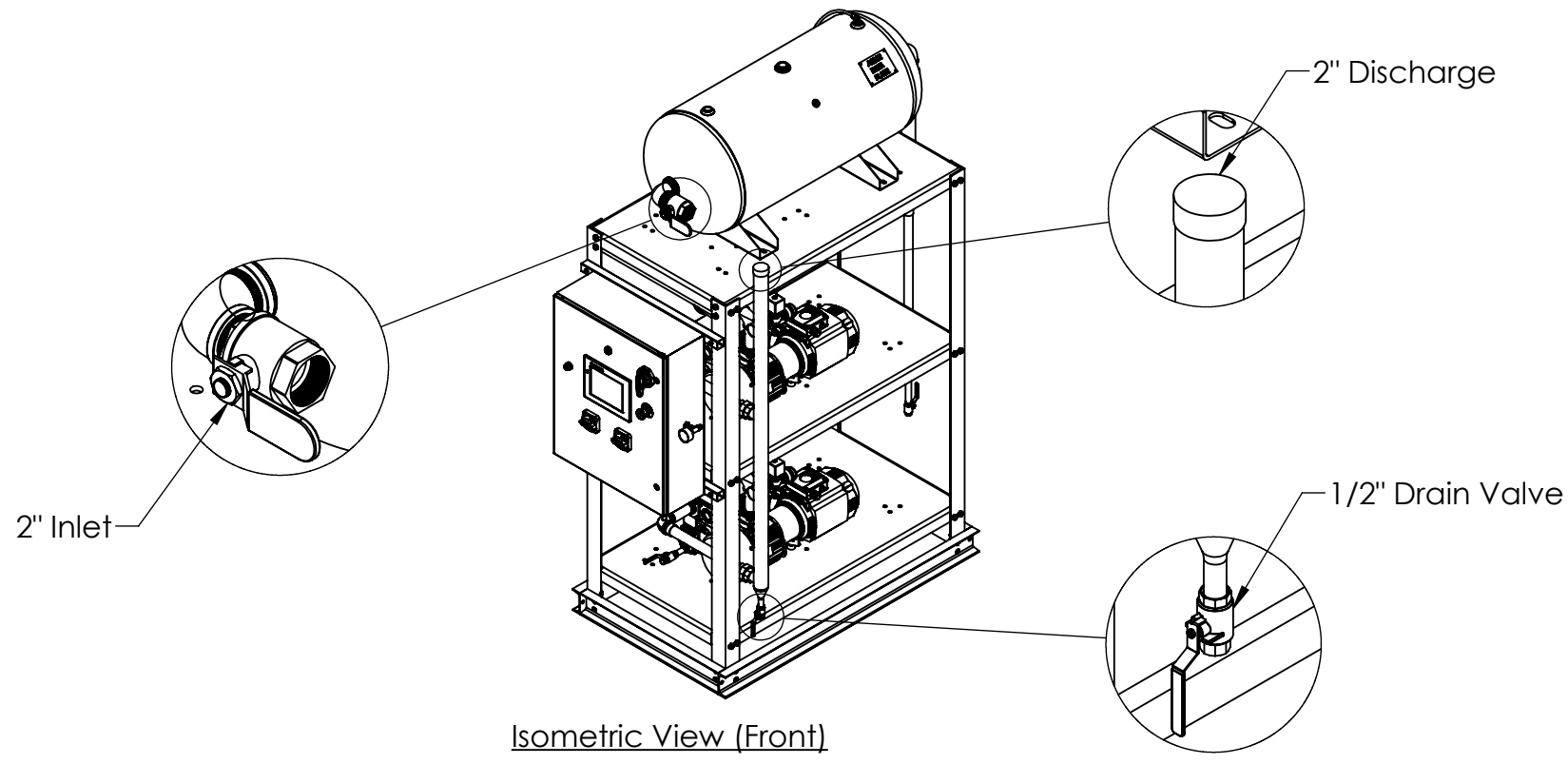
C

B

B

A

A



THIS DRAWING AND INFORMATION CONTAINED IN THIS DRAWING ARE CONFIDENTIAL PROPERTY OF AIR ENERGY GROUP. NO PART OF THIS DRAWING OR ANY INFORMATION CONTAINED IN THIS DRAWING MAY BE REPRODUCED OR TRANSFERRED WITHOUT THE WRITTEN PERMISSION OF AIR ENERGY GROUP.



DRAWN BY  
SSC

DATE  
6/11/2024

NOTE:  
All dimensions in  
Inches unless  
otherwise noted

DESCRIPTION Duplex 5 HP Rotary Vane Lab Skid Assembly		REV.	SIZE B
PART NO. VR05F-XXL-06H-002		SHEET: 1 of 2	
SCALE: 1:28			

6

5

4

3

2

1

6

5

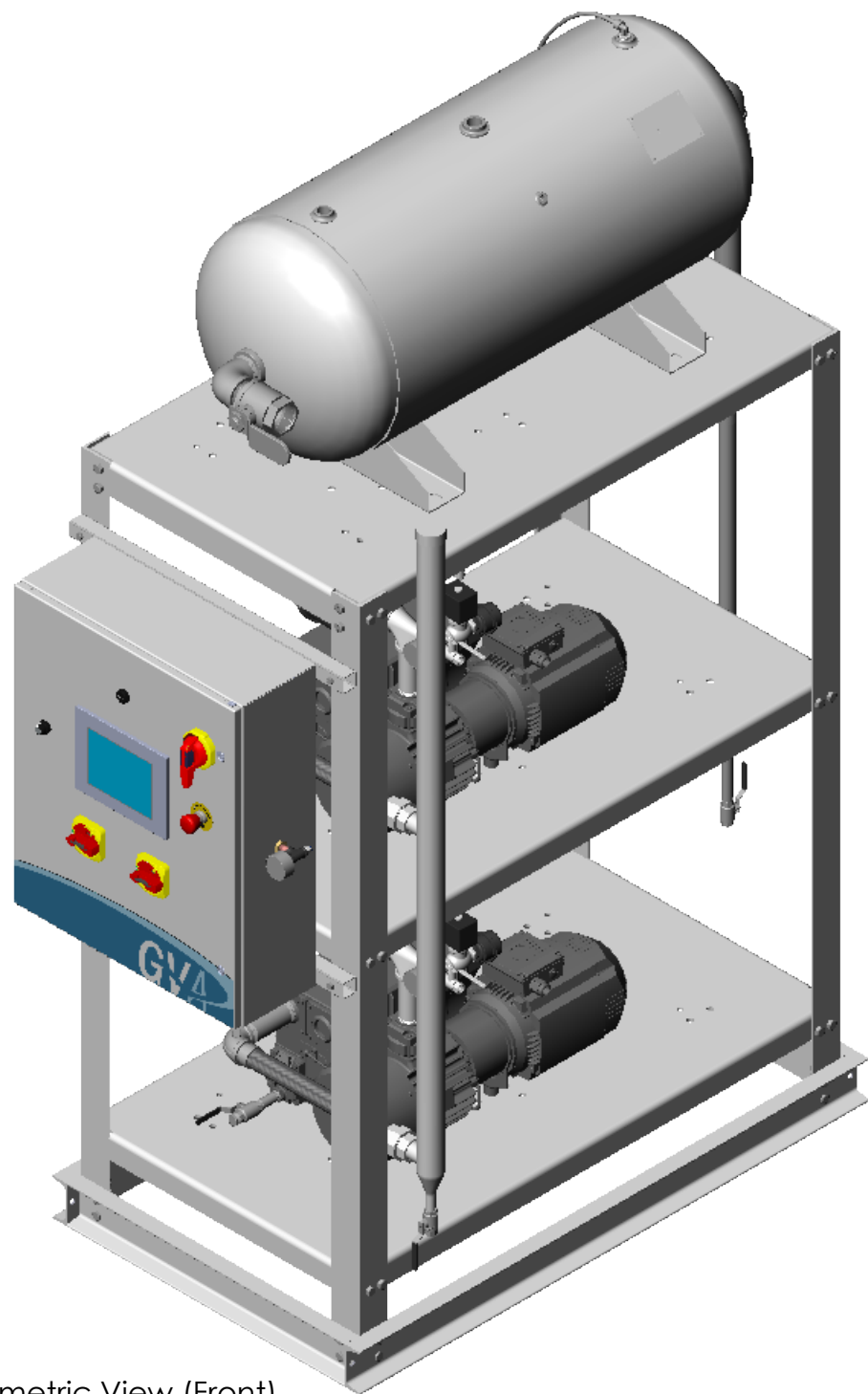
4

3

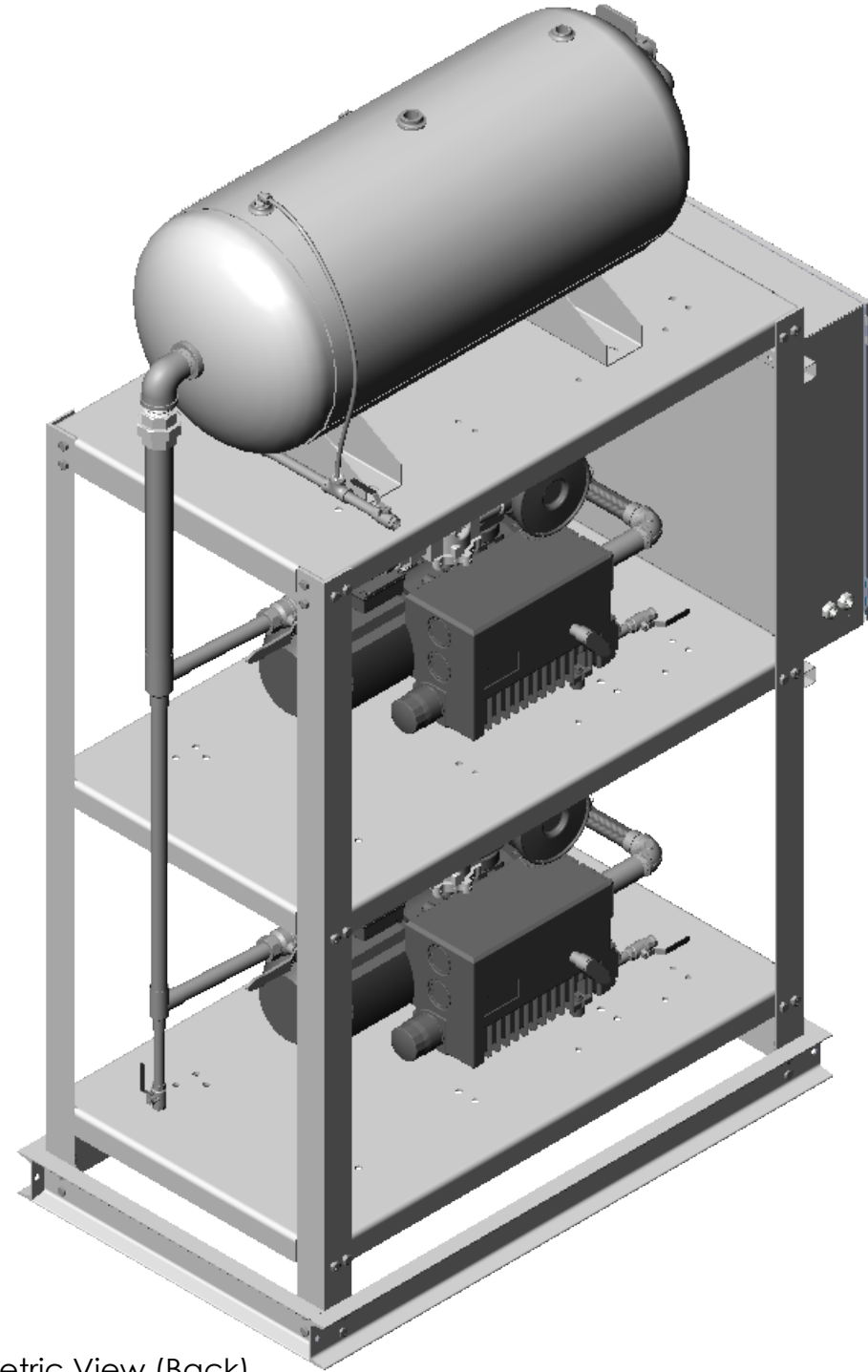
2

1

1



Isometric View (Front)



Isometric View (Back)



DESCRIPTION  
Duplex 5 HP Rotary Vane  
Lab Skid Assembly

DRAWN BY  
SSC

NOTE:  
All dimensions in  
Inches unless  
otherwise noted

DATE  
6/11/2024

PART NO.  
VR05F-XXL-06H-002

REV. SIZE  
B

SCALE: 1:14

SHEET: 2 of 2

THIS DRAWING AND INFORMATION CONTAINED IN THIS DRAWING ARE CONFIDENTIAL PROPERTY OF AIR ENERGY GROUP. NO PART OF THIS DRAWING OR ANY INFORMATION CONTAINED IN THIS DRAWING MAY BE REPRODUCED OR TRANSFERRED WITHOUT THE WRITTEN PERMISSION OF AIR ENERGY GROUP.

6

5

4

3

2

1

1