

6

5

4

3

2

1

D

D

C

C

B

B

A

A

1 1/2" Pump Inlet

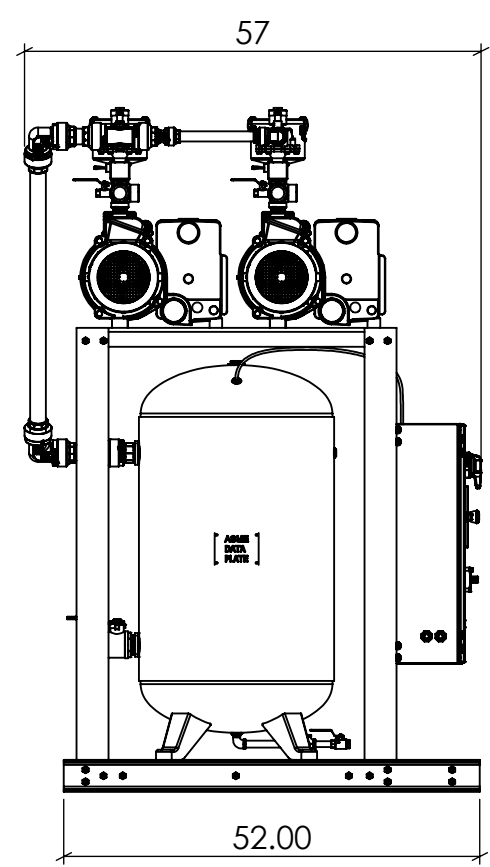
1/2" Drain Valve

1/2" Drip Leg

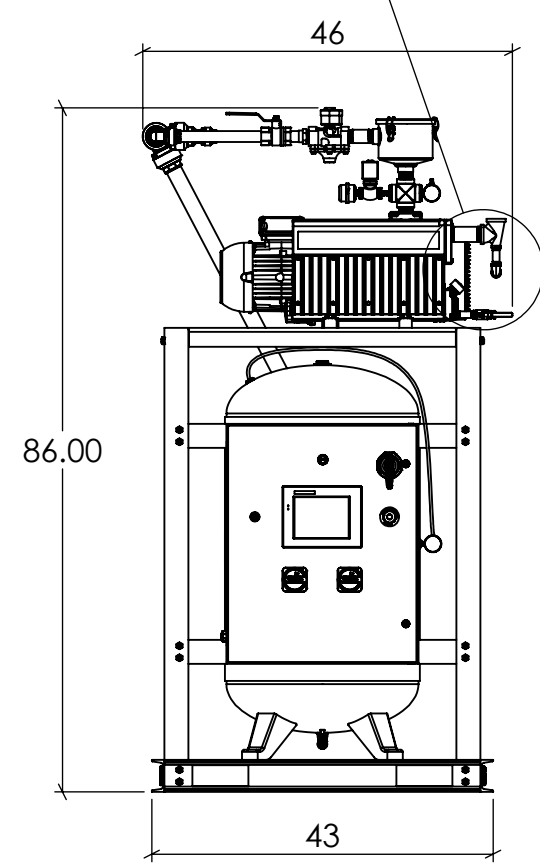
Isometric View (Front)

Isometric View (Back)

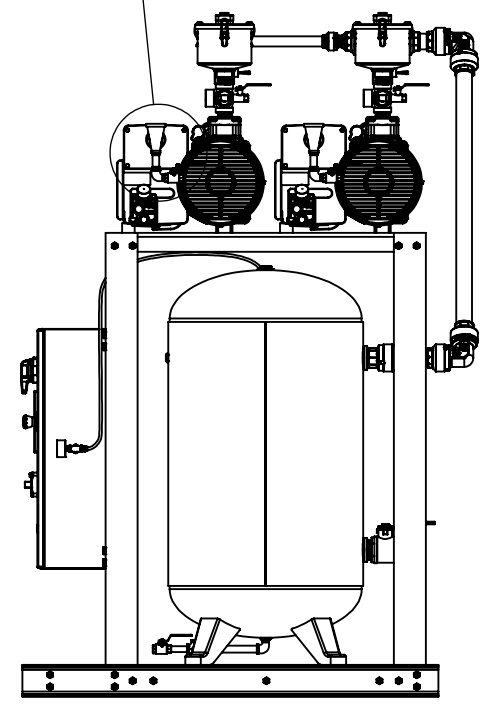
2" Inlet Valve



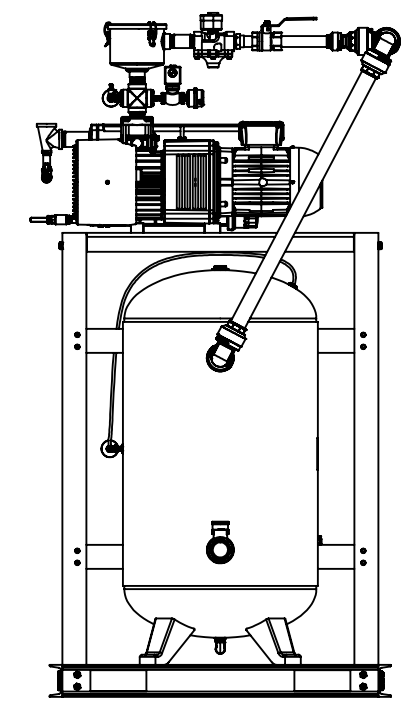
Left View



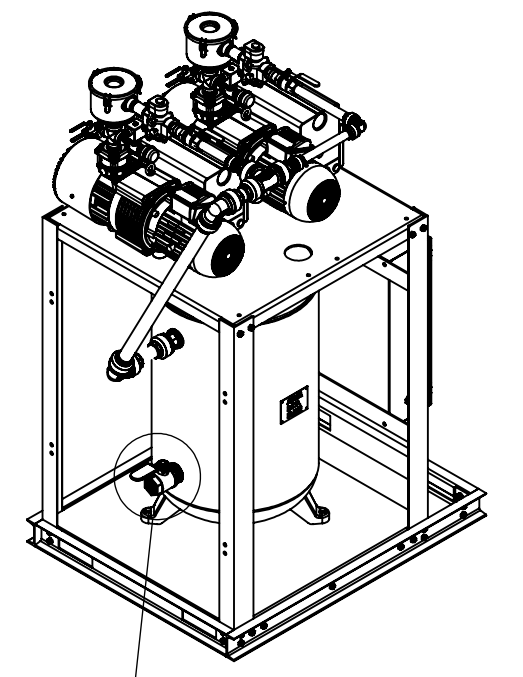
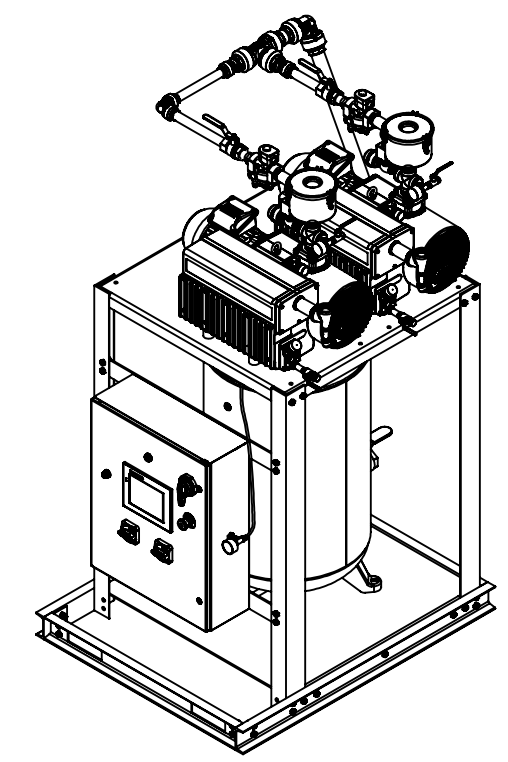
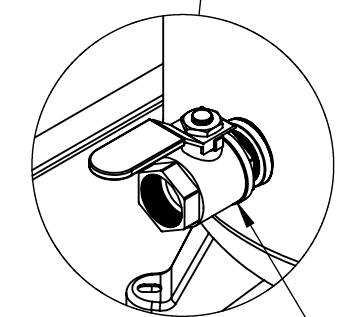
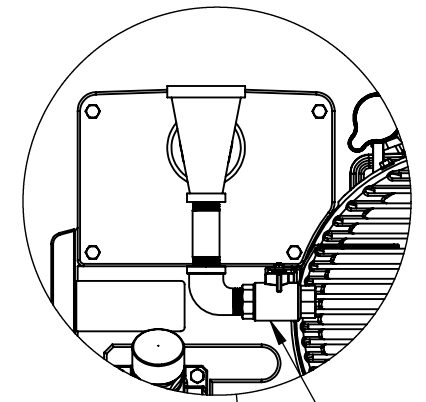
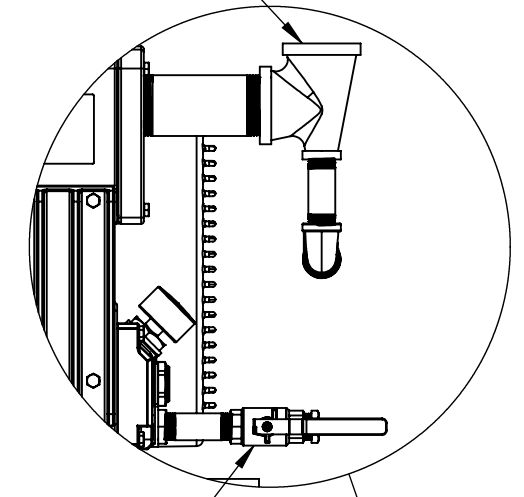
Front View



Right View



Back View



THIS DRAWING AND INFORMATION CONTAINED IN THIS DRAWING ARE CONFIDENTIAL PROPERTY OF AIR ENERGY GROUP. NO PART OF THIS DRAWING OR ANY INFORMATION CONTAINED IN THIS DRAWING MAY BE REPRODUCED OR TRANSFERRED WITHOUT THE WRITTEN PERMISSION OF AIR ENERGY GROUP.

DRAWN BY SSC	NOTE: All dimensions in Inches unless otherwise noted
DATE 5/21/2024	

DESCRIPTION Duplex 5 HP Lab Rotary Vane Skid Assembly		
PART NO. VR05F-XXL-08V	REV.	SIZE B
SCALE: 1:24	SHEET: 1 of 2	

6

5

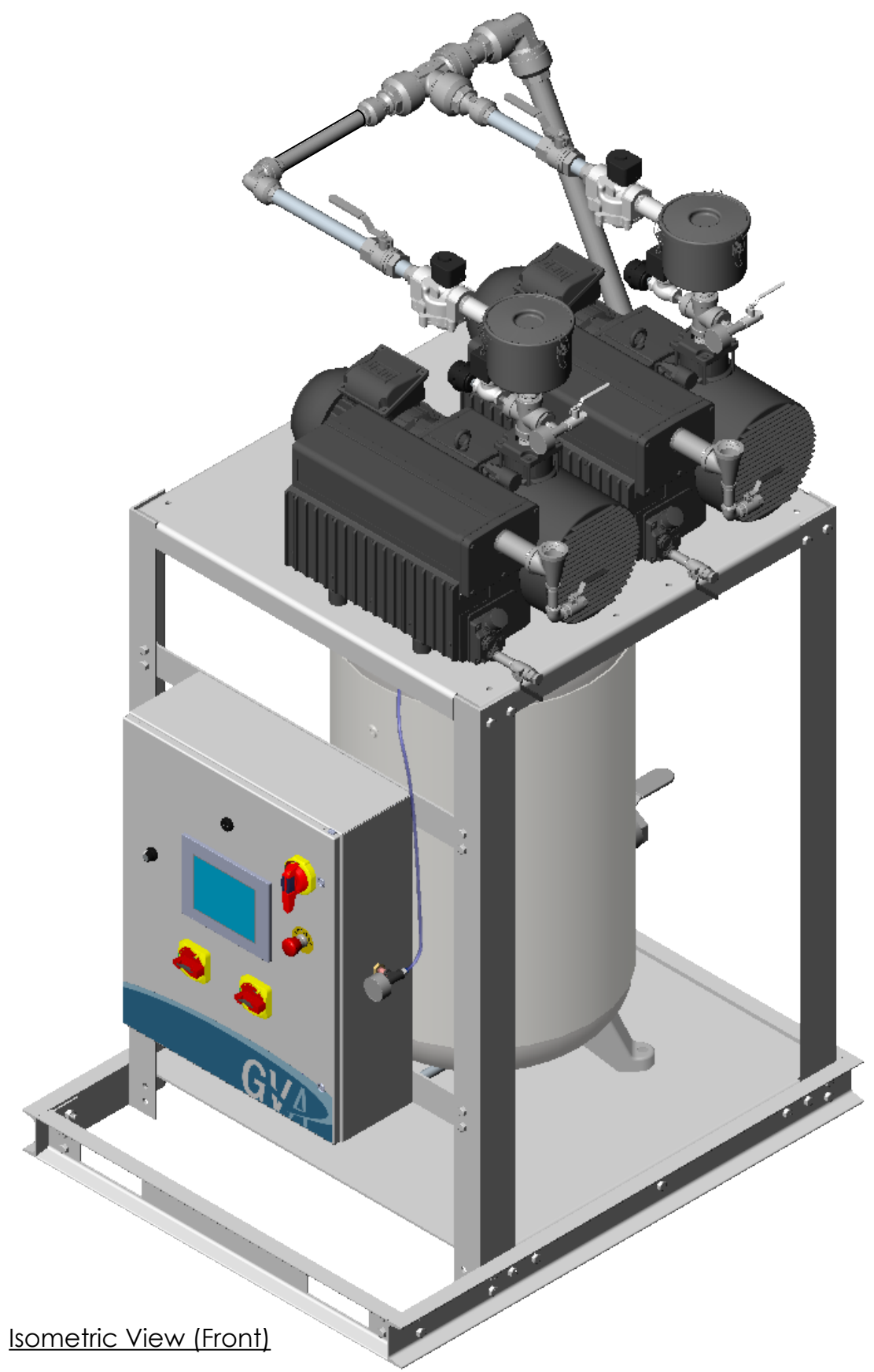
4

3

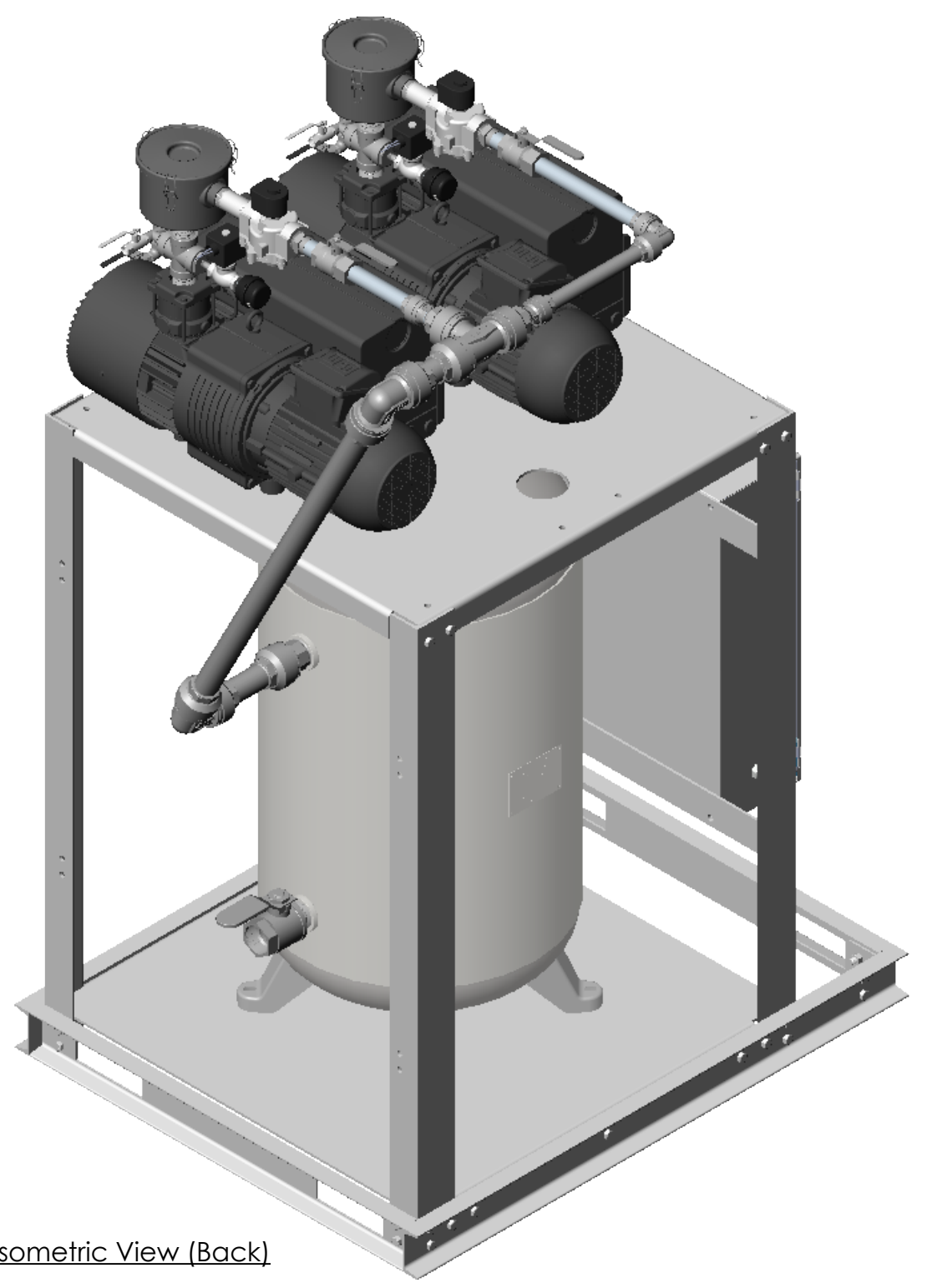
2

1

1



Isometric View (Front)



Isometric View (Back)



DESCRIPTION  
Duplex 5 HP Lab Rotary Vane Skid Assembly

THIS DRAWING AND INFORMATION CONTAINED IN THIS DRAWING ARE CONFIDENTIAL PROPERTY OF AIR ENERGY GROUP. NO PART OF THIS DRAWING OR ANY INFORMATION CONTAINED IN THIS DRAWING MAY BE REPRODUCED OR TRANSFERRED WITHOUT THE WRITTEN PERMISSION OF AIR ENERGY GROUP.

DRAWN BY  
SSC

DATE  
5/21/2024

NOTE:  
All dimensions in inches unless otherwise noted

PART NO.  
VR05F-XXL-08V

SCALE: 1:12

REV.	SIZE
	B

SHEET: 2 of 2

6

5

4

3

2

1

1