

6

5

4

3

2

1

D

D

C

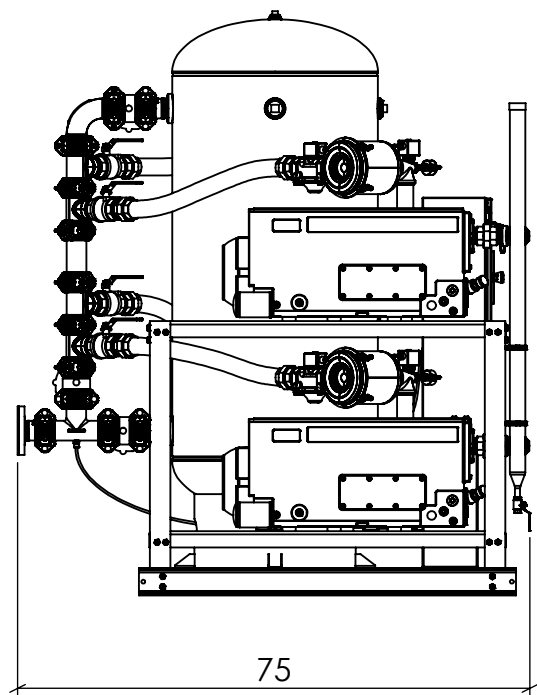
C

B

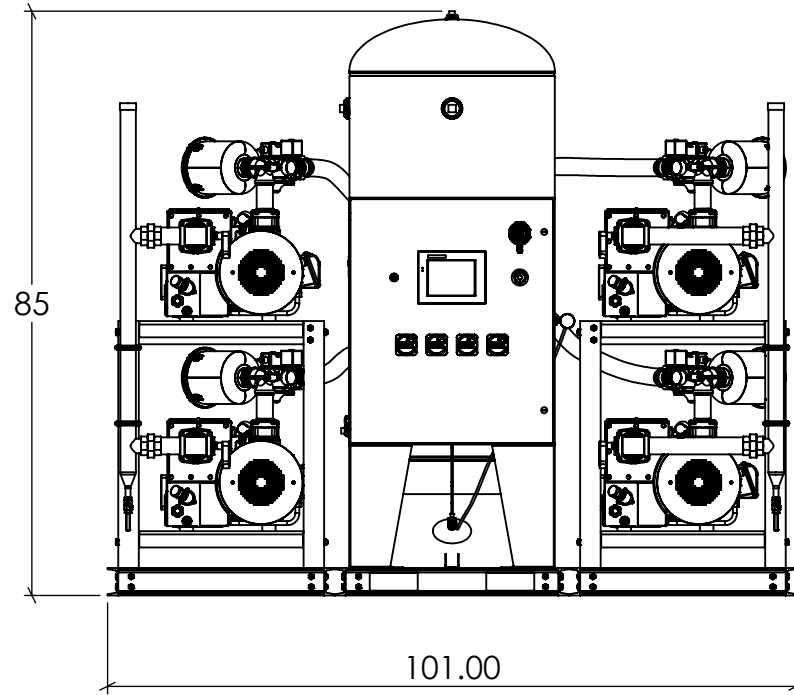
B

A

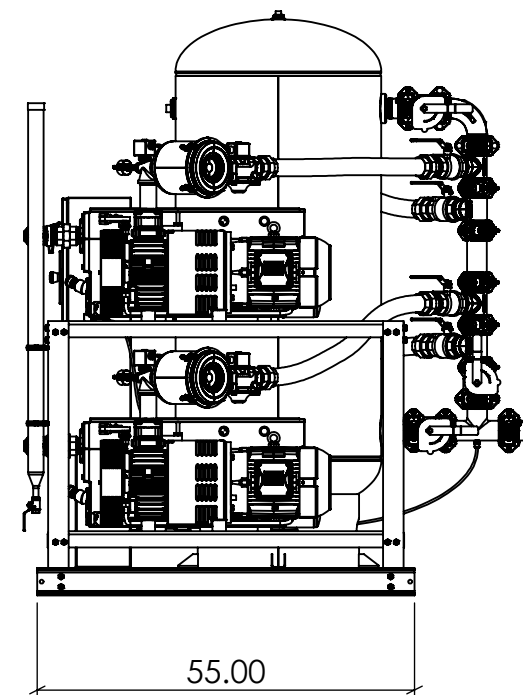
A



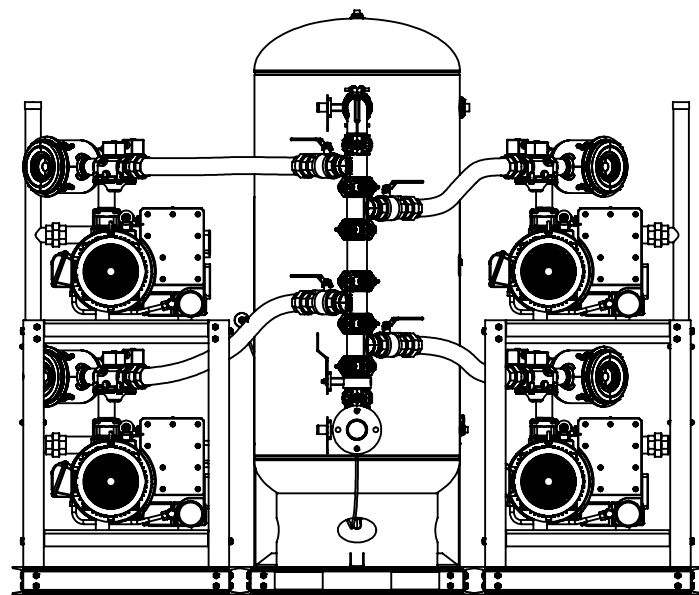
Left View



Front View



Right View



Back View



DESCRIPTION  
Quad 7 HP Rotary Vane Lab  
Skid Assembly

PART NO. VR07Q-XXL-20V	REV.	SIZE B
---------------------------	------	-----------

SCALE: 1:28	SHEET: 1 of 3
-------------	---------------

THIS DRAWING AND INFORMATION CONTAINED IN THIS DRAWING ARE CONFIDENTIAL PROPERTY OF AIR ENERGY GROUP. NO PART OF THIS DRAWING OR ANY INFORMATION CONTAINED IN THIS DRAWING MAY BE REPRODUCED OR TRANSFERRED WITHOUT THE WRITTEN PERMISSION OF AIR ENERGY GROUP.

DRAWN BY:  
SSC

DATE:  
8/15/2024

NOTE:  
All dimensions in  
Inches unless  
otherwise noted

6

5

4

3

2

1

6

5

4

3

2

1

1

D

C

B

A

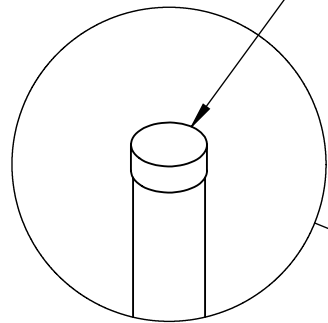
D

C

B

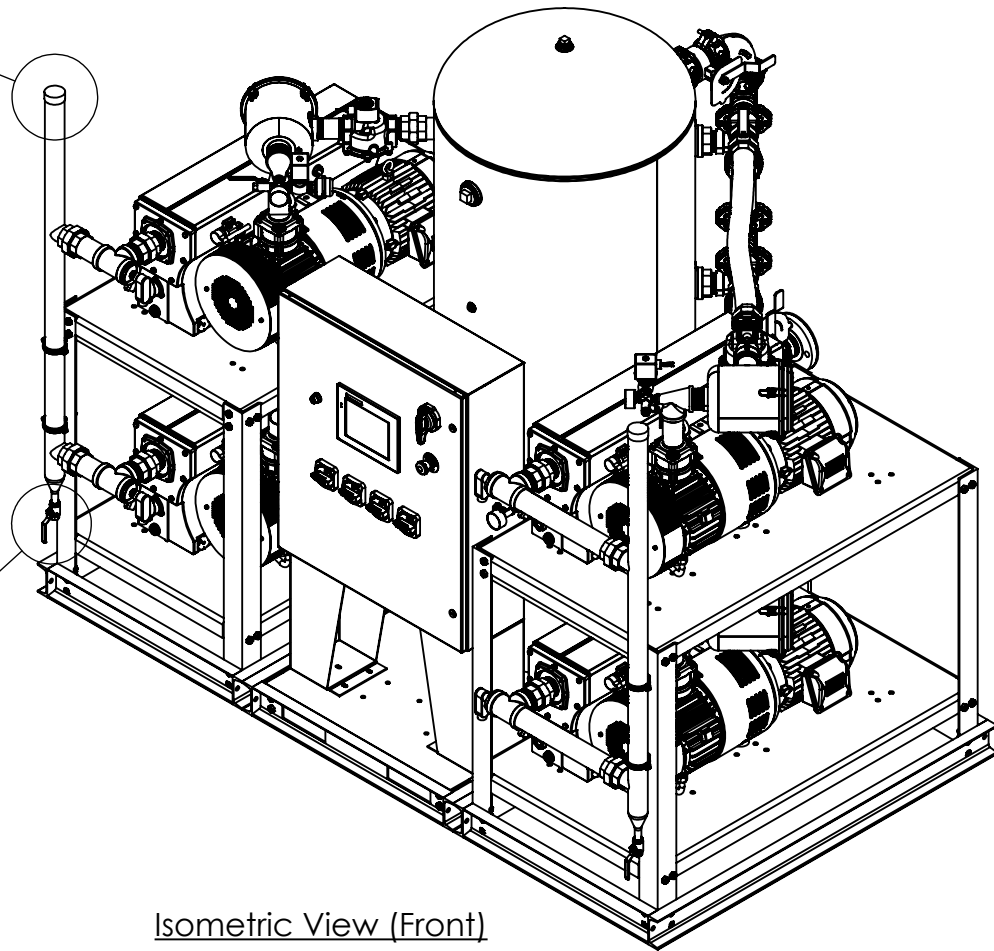
A

2" Discharge (x2)

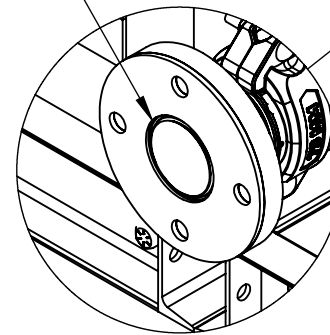


1/2" Drain Valve (x2)

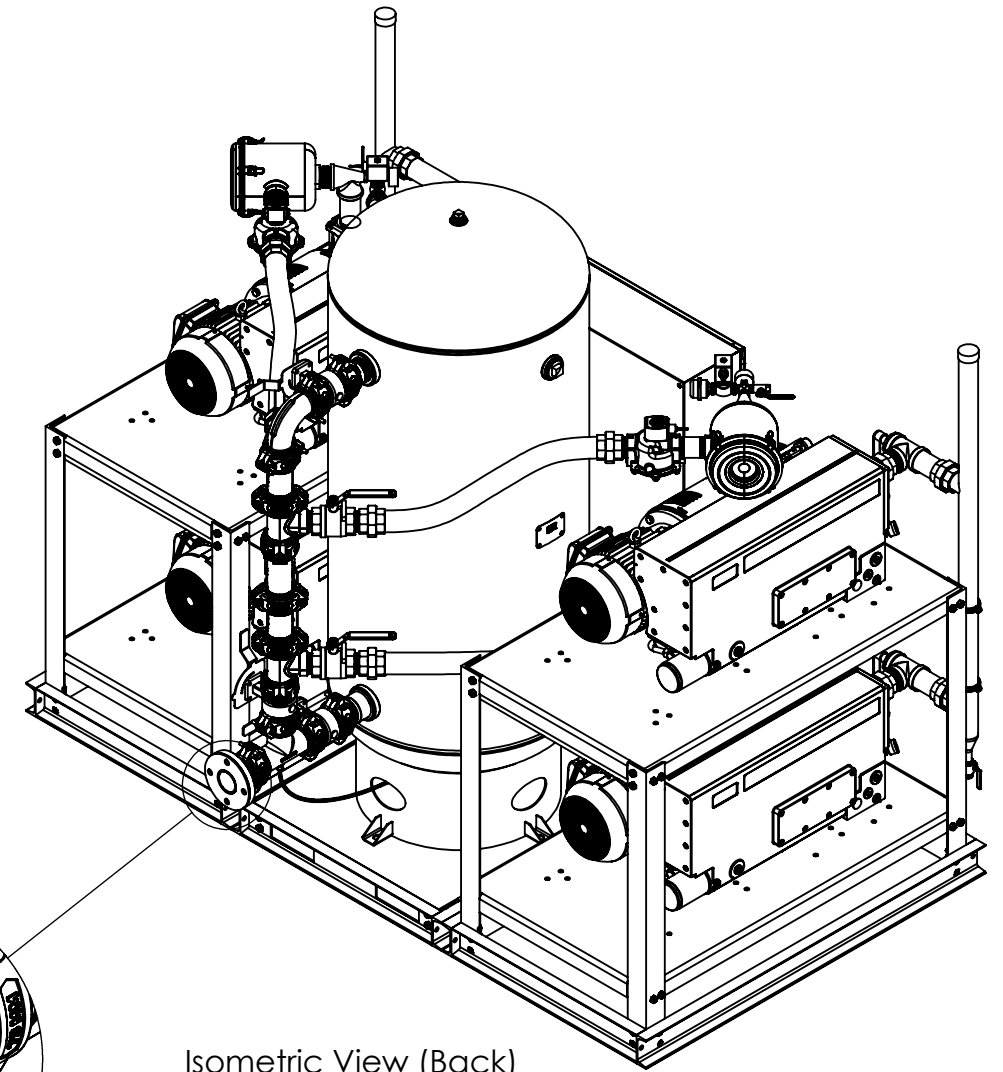
Isometric View (Front)



3" Inlet



Isometric View (Back)



DESCRIPTION  
Quad 7 HP Rotary Vane Lab  
Skid Assembly

PART NO. VR07Q-XXL-20V	REV.	SIZE B
---------------------------	------	-----------

SCALE: 1:22	SHEET: 2 of 3
-------------	---------------

THIS DRAWING AND INFORMATION CONTAINED IN THIS DRAWING ARE CONFIDENTIAL PROPERTY OF AIR ENERGY GROUP. NO PART OF THIS DRAWING OR ANY INFORMATION CONTAINED IN THIS DRAWING MAY BE REPRODUCED OR TRANSFERRED WITHOUT THE WRITTEN PERMISSION OF AIR ENERGY GROUP.

DRAWN BY:  
SSC

DATE:  
8/15/2024

NOTE:  
All dimensions in  
Inches unless  
otherwise noted

6

5

4

3

2

1

1

6

5

4

3

2

1

1

D

D

C

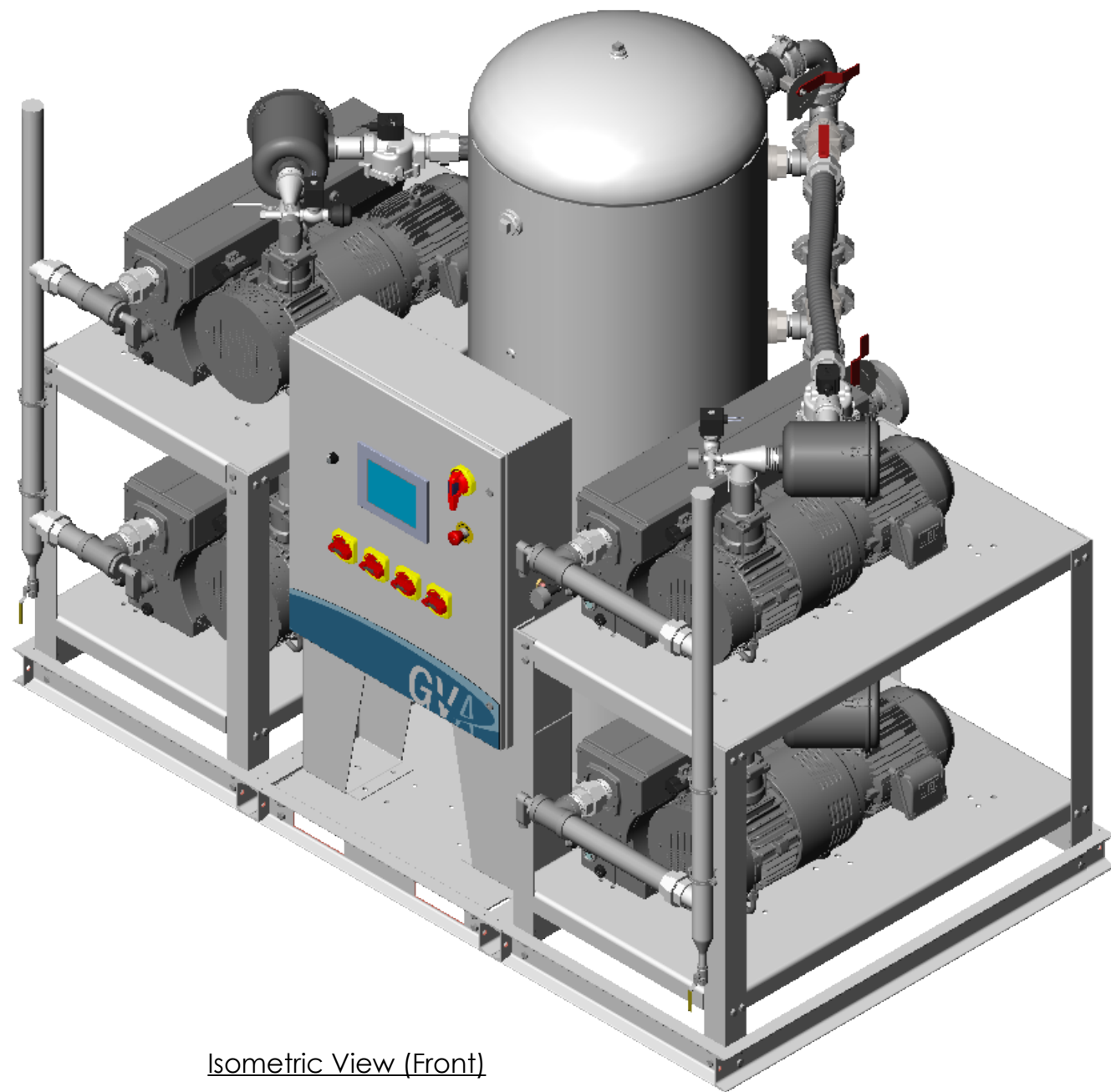
C

B

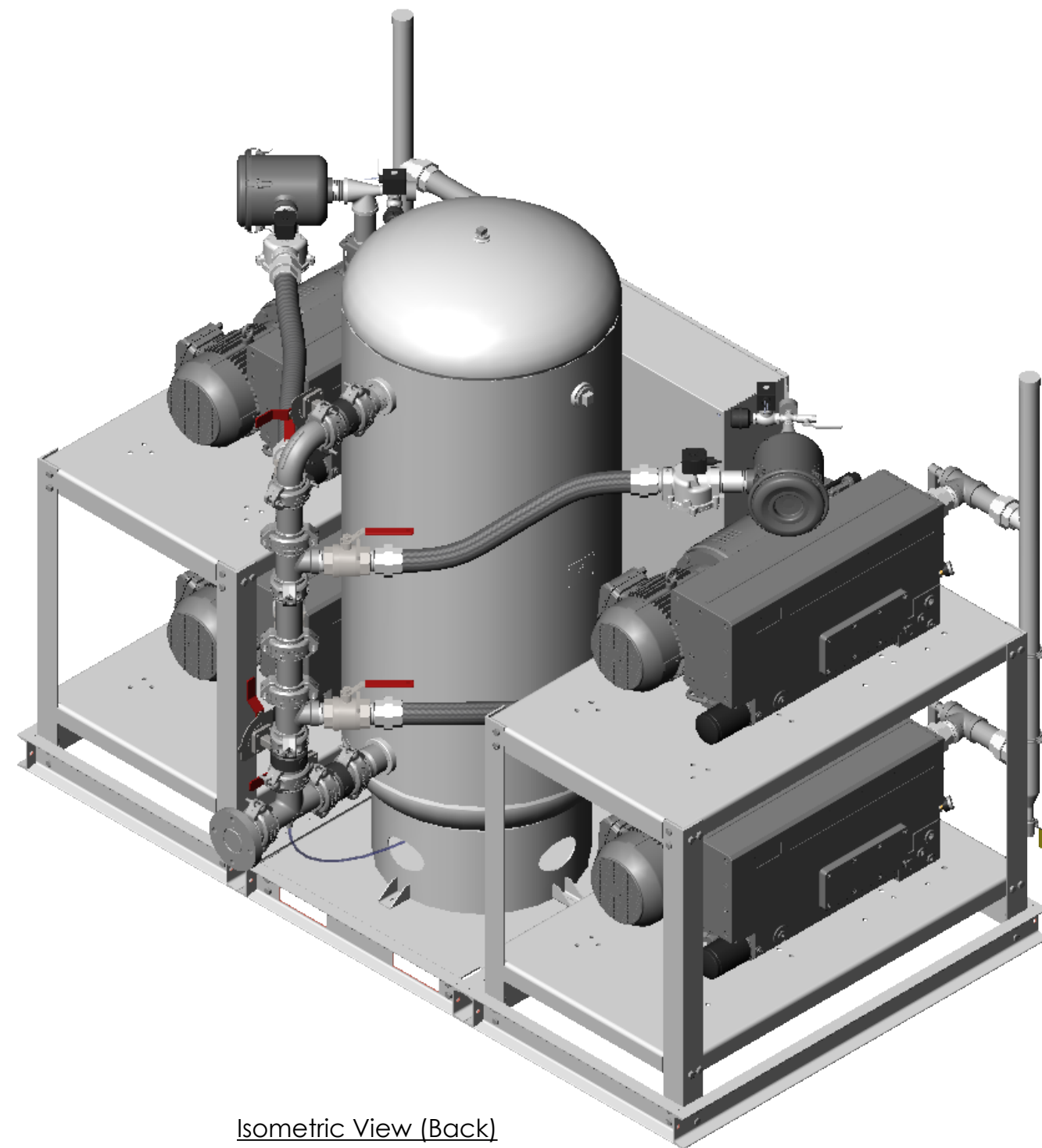
B

A

A



Isometric View (Front)



Isometric View (Back)



DESCRIPTION  
 Quad 7 HP Rotary Vane Lab  
 Skid Assembly

PART NO. VR07Q-XXL-20V	REV.	SIZE B
---------------------------	------	-----------

SCALE: 1:16	SHEET: 3 of 3
-------------	---------------

THIS DRAWING AND INFORMATION CONTAINED IN THIS DRAWING ARE CONFIDENTIAL PROPERTY OF AIR ENERGY GROUP. NO PART OF THIS DRAWING OR ANY INFORMATION CONTAINED IN THIS DRAWING MAY BE REPRODUCED OR TRANSFERRED WITHOUT THE WRITTEN PERMISSION OF AIR ENERGY GROUP.

DRAWN BY:  
SSC

DATE:  
8/15/2024

NOTE:  
All dimensions in  
Inches unless  
otherwise noted

6

5

4

3

2

1

1