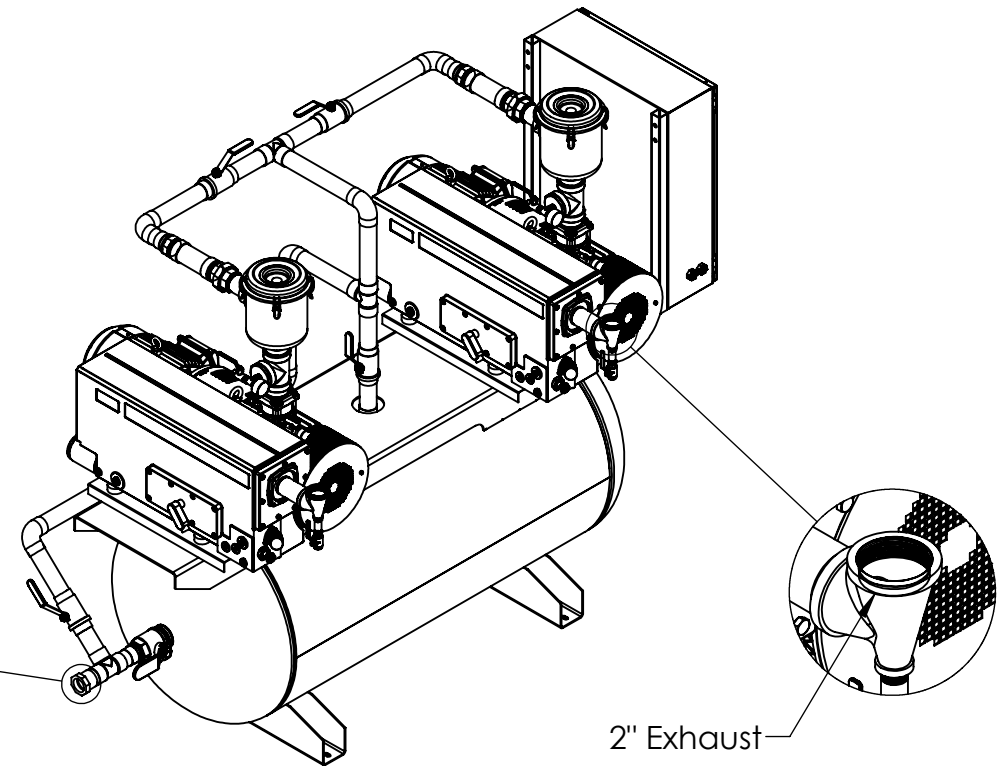
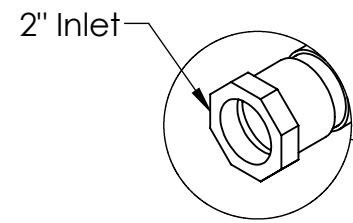


Isometric View (Front)



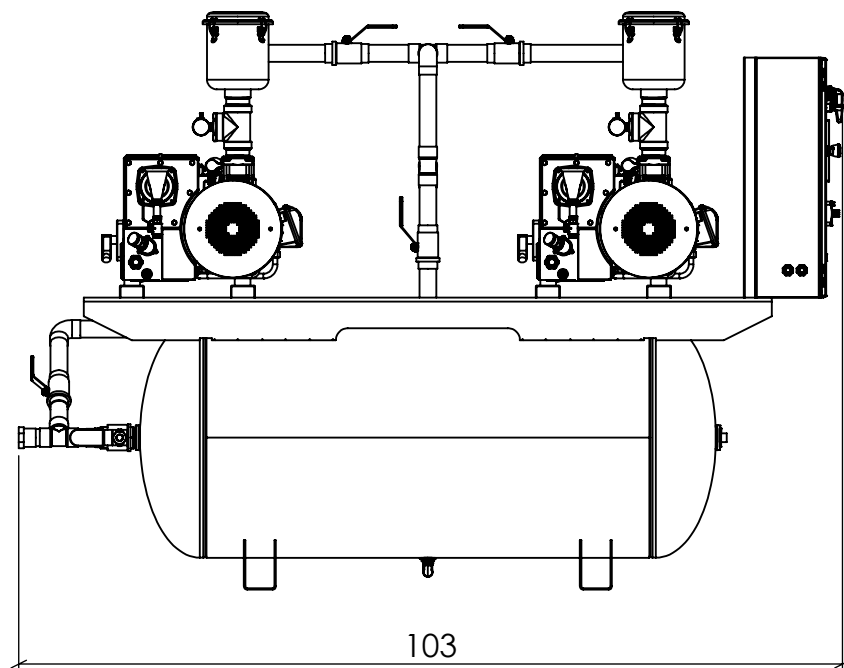
Isometric View (Back)



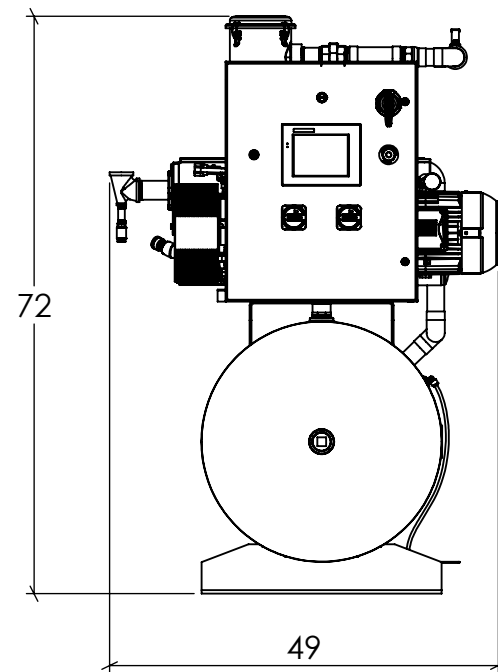
2" Inlet



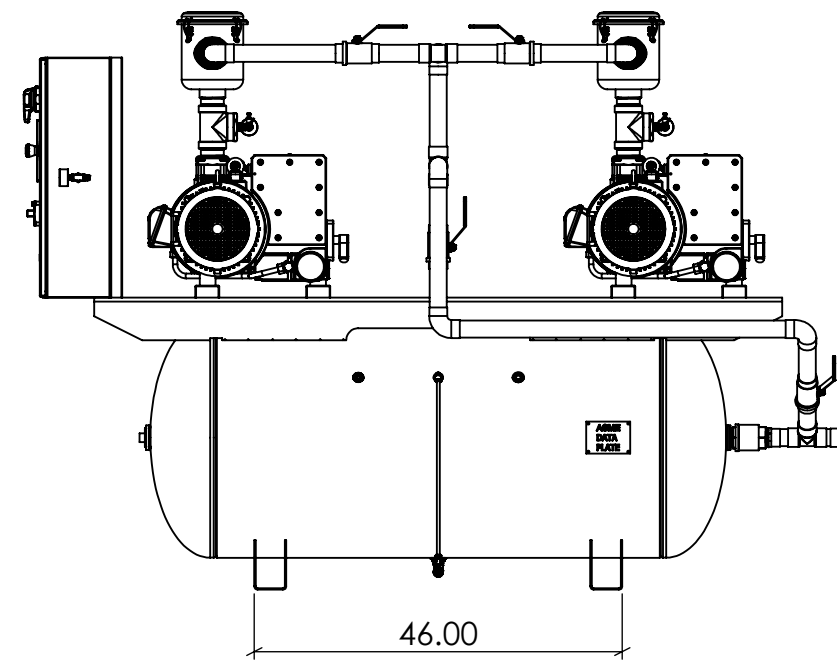
2" Exhaust



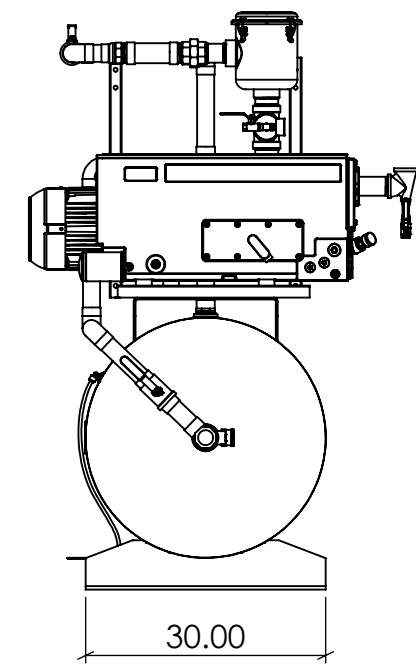
Left View



Front View



Right View



Back View



DESCRIPTION
Duplex 10 HP Rotary Vane
Medical Skid Assembly

DRAWN BY
SSC
DATE
6/18/2024

NOTE:
All dimensions in
Inches unless
otherwise noted

PART NO.
VR10B-XXM-20H-004
SCALE: 1:24

REV. SIZE
1 B
SHEET: 1 of 2

THIS DRAWING AND INFORMATION CONTAINED IN THIS DRAWING ARE CONFIDENTIAL PROPERTY OF AIR ENERGY GROUP. NO PART OF THIS DRAWING OR ANY INFORMATION CONTAINED IN THIS DRAWING MAY BE REPRODUCED OR TRANSFERRED WITHOUT THE WRITTEN PERMISSION OF AIR ENERGY GROUP.

6

5

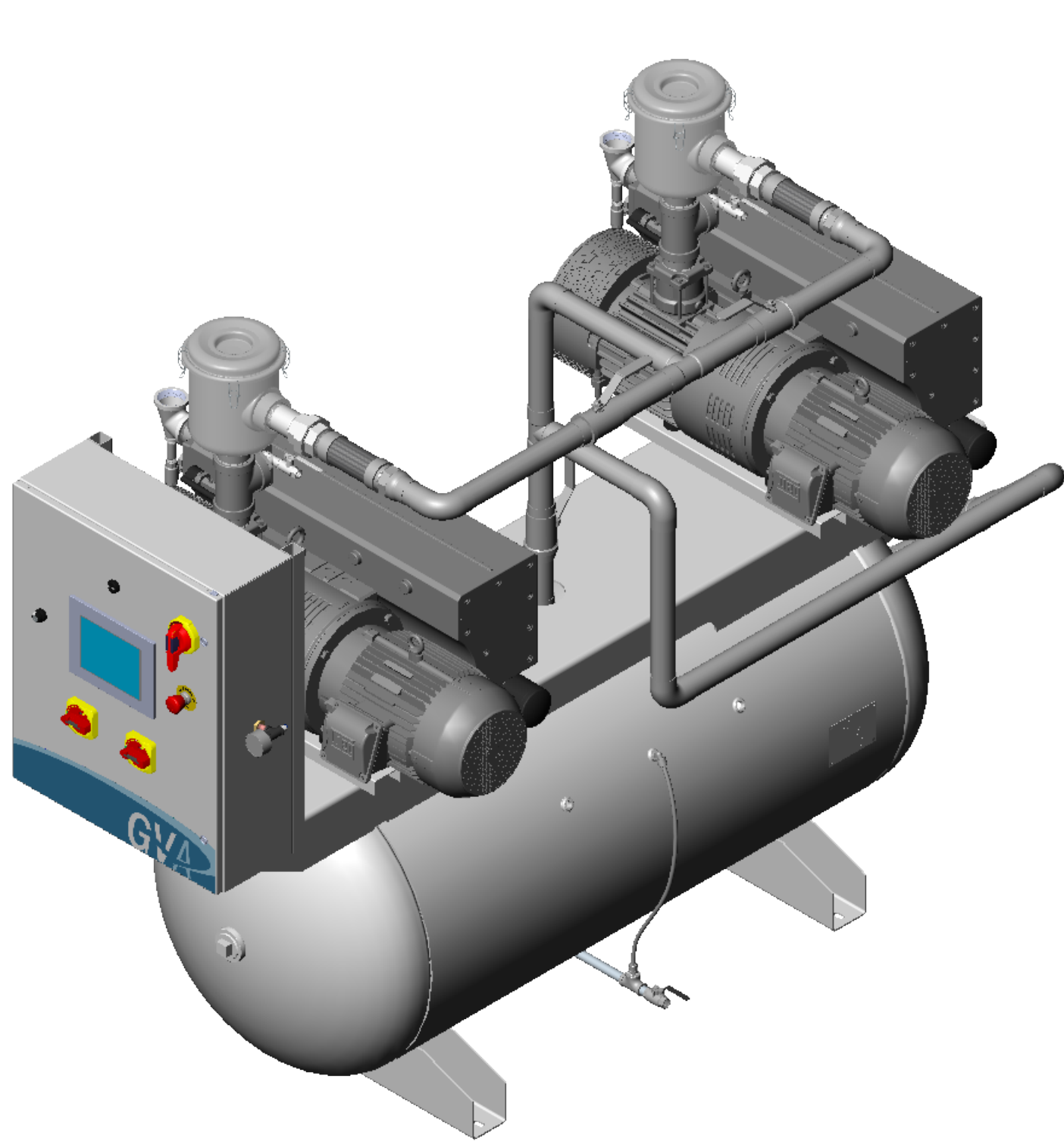
4

3

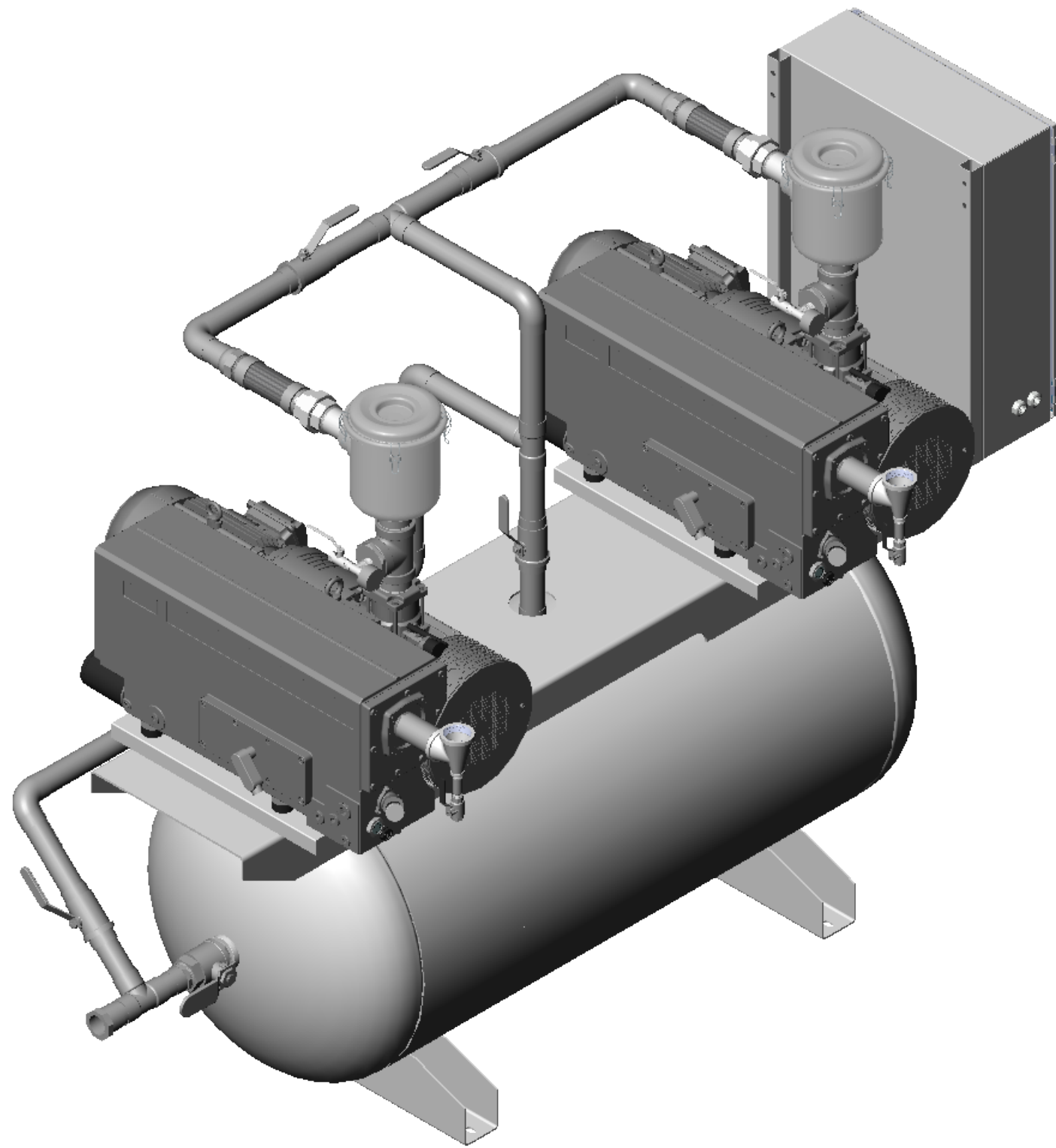
2

1


1



Isometric View (Front)



Isometric View (Back)

		DESCRIPTION			
		Duplex 10 HP Rotary Vane Medical Skid Assembly			
DRAWN BY SSC		NOTE: All dimensions in Inches unless otherwise noted	PART NO.	REV.	SIZE
DATE 6/18/2024			VR10B-XXM-20H-004	1	B
SCALE: 1:12			SHEET: 2 of 2		

THIS DRAWING AND INFORMATION CONTAINED IN THIS DRAWING ARE CONFIDENTIAL PROPERTY OF AIR ENERGY GROUP. NO PART OF THIS DRAWING OR ANY INFORMATION CONTAINED IN THIS DRAWING MAY BE REPRODUCED OR TRANSFERRED WITHOUT THE WRITTEN PERMISSION OF AIR ENERGY GROUP.

6

5

4

3

2

1

1