

6

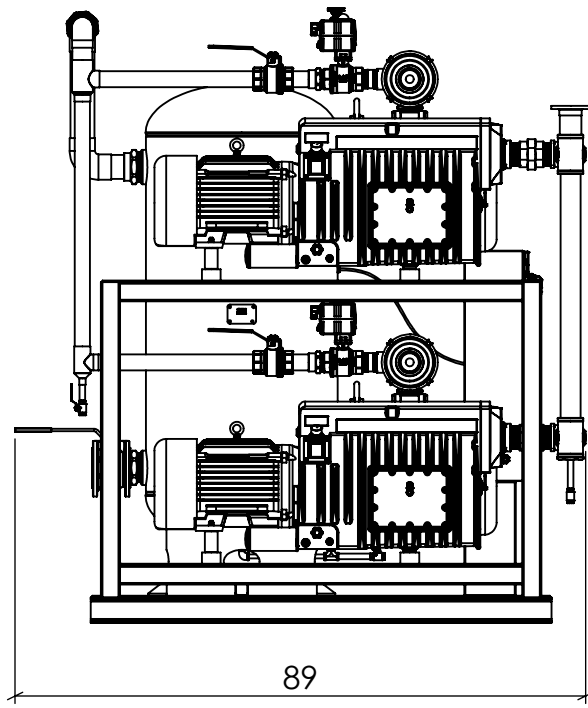
5

4

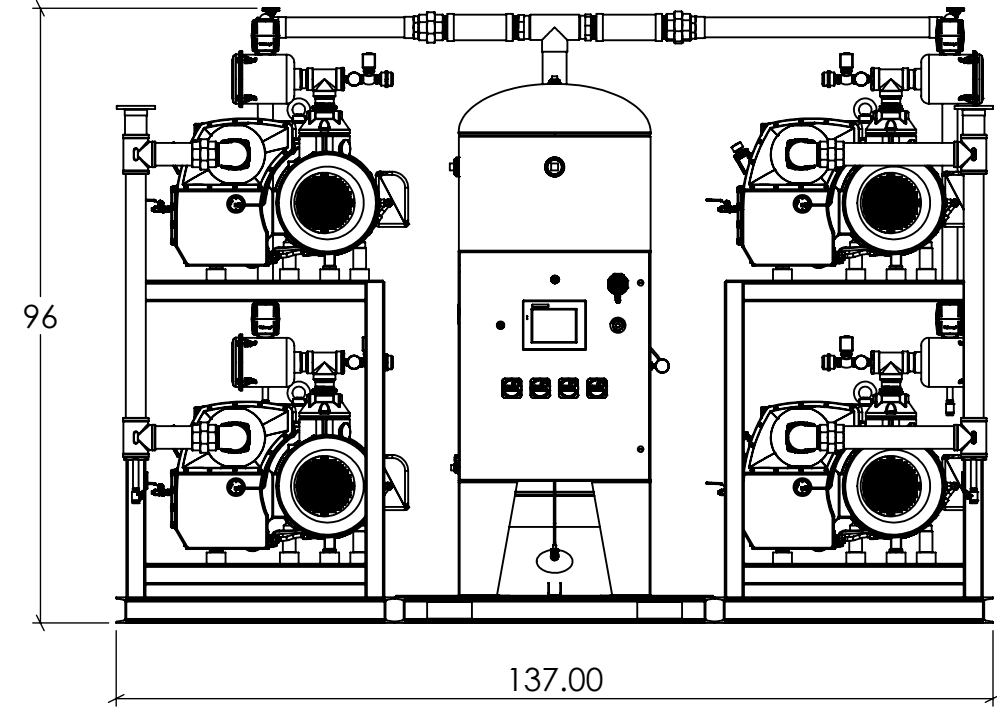
3

2

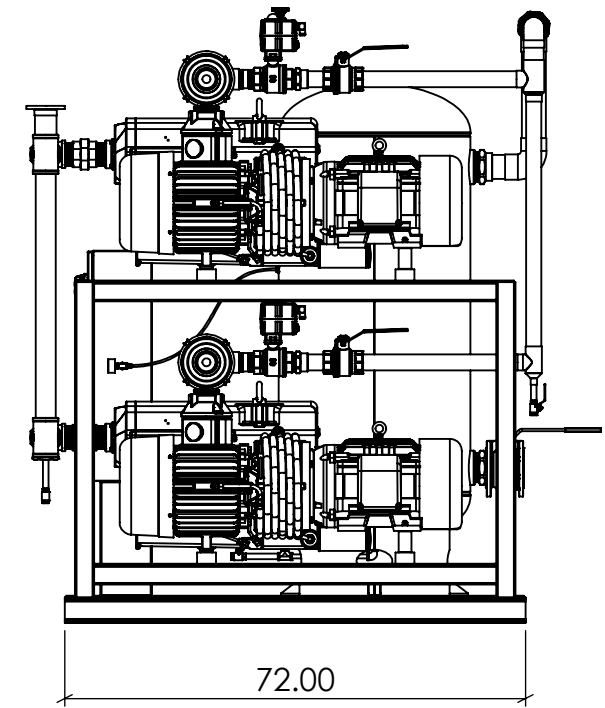
1



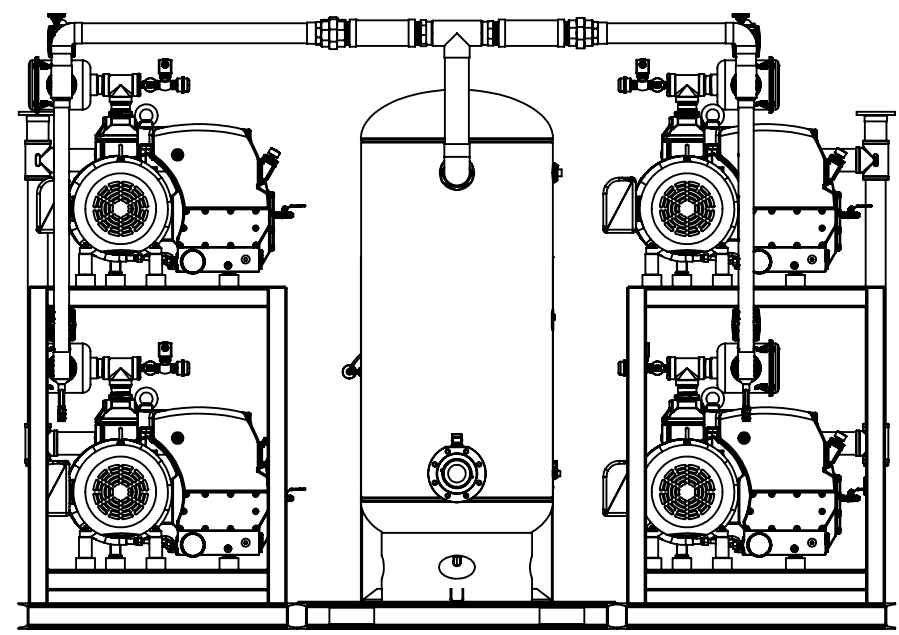
Left View



Front View



Right View



Back View



DESCRIPTION  
 Quad 15 HP Lab Rotary  
 Vane Skid Assembly

DRAWN BY  
 SSC

DATE  
 5/2/2024

NOTE:  
 All dimensions in  
 inches unless  
 otherwise noted

PART NO.  
 VR15Q-XXL-20V

SCALE: 1:30

REV. SIZE  
 1 B

SHEET: 1 of 3

THIS DRAWING AND INFORMATION CONTAINED IN THIS DRAWING ARE CONFIDENTIAL PROPERTY OF AIR ENERGY GROUP. NO PART OF THIS DRAWING OR ANY INFORMATION CONTAINED IN THIS DRAWING MAY BE REPRODUCED OR TRANSFERRED WITHOUT THE WRITTEN PERMISSION OF AIR ENERGY GROUP.

6

5

4

3

2

1

6

5

4

3

3

2

1

D

C

B

A

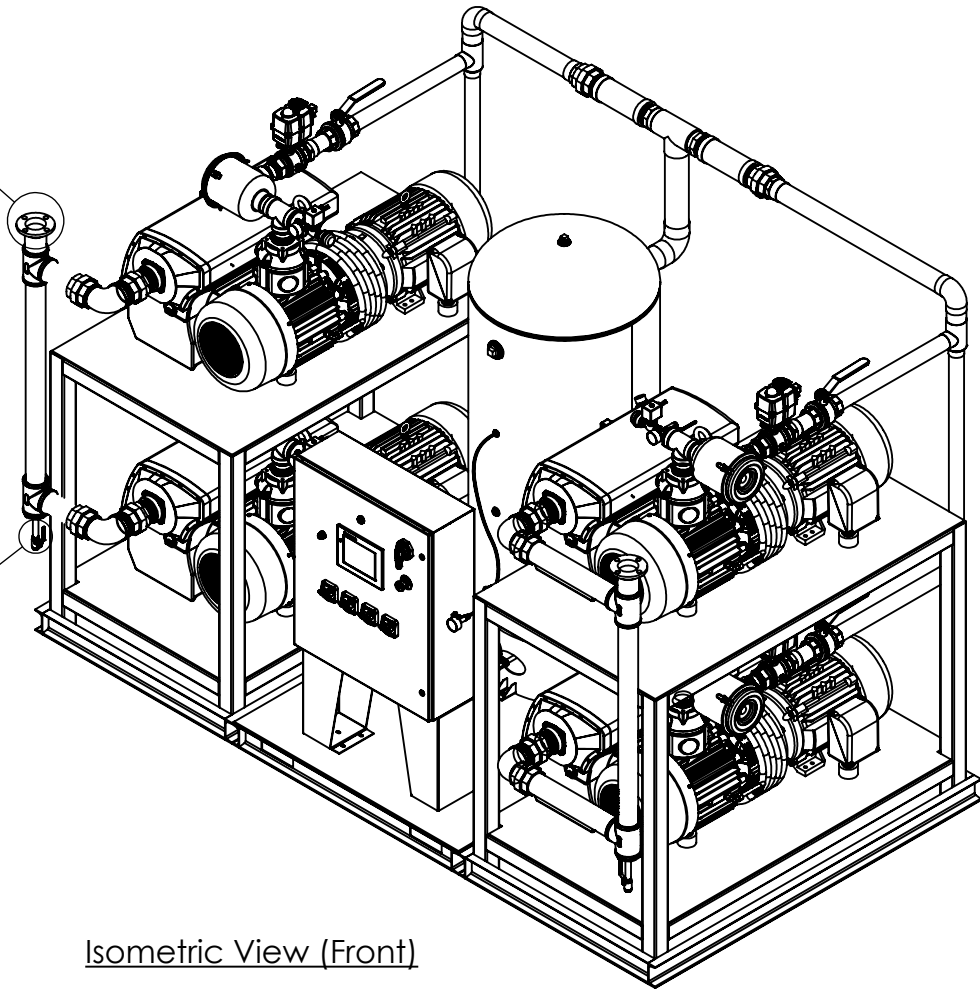
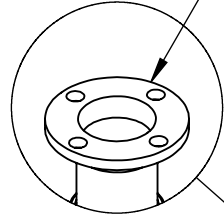
D

C

B

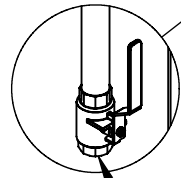
A

3" Discharge (x2)

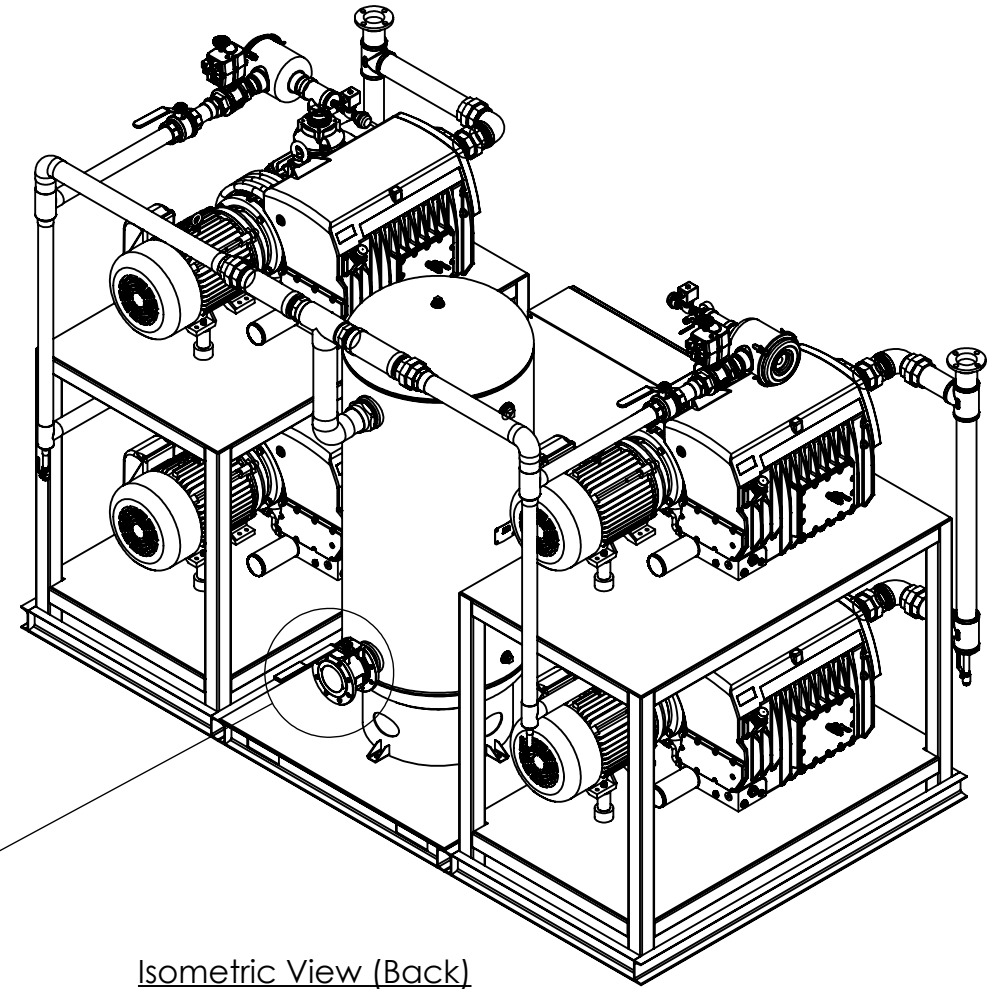


Isometric View (Front)

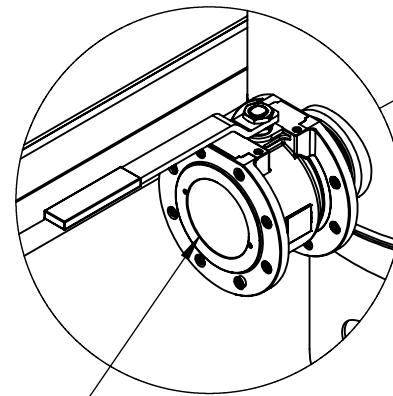
1/2" Drain Valve (x2)



Isometric View (Back)



4" Inlet



DESCRIPTION  
Quad 15 HP Lab Rotary  
Vane Skid Assembly

DRAWN BY  
SSC

DATE  
5/2/2024

NOTE:  
All dimensions in  
Inches unless  
otherwise noted

PART NO.  
VR15Q-XXL-20V

SCALE: 1:30

REV. SIZE  
1 B

SHEET: 2 of 3

THIS DRAWING AND INFORMATION CONTAINED IN THIS DRAWING ARE CONFIDENTIAL PROPERTY OF AIR ENERGY GROUP. NO PART OF THIS DRAWING OR ANY INFORMATION CONTAINED IN THIS DRAWING MAY BE REPRODUCED OR TRANSFERRED WITHOUT THE WRITTEN PERMISSION OF AIR ENERGY GROUP.

6

5

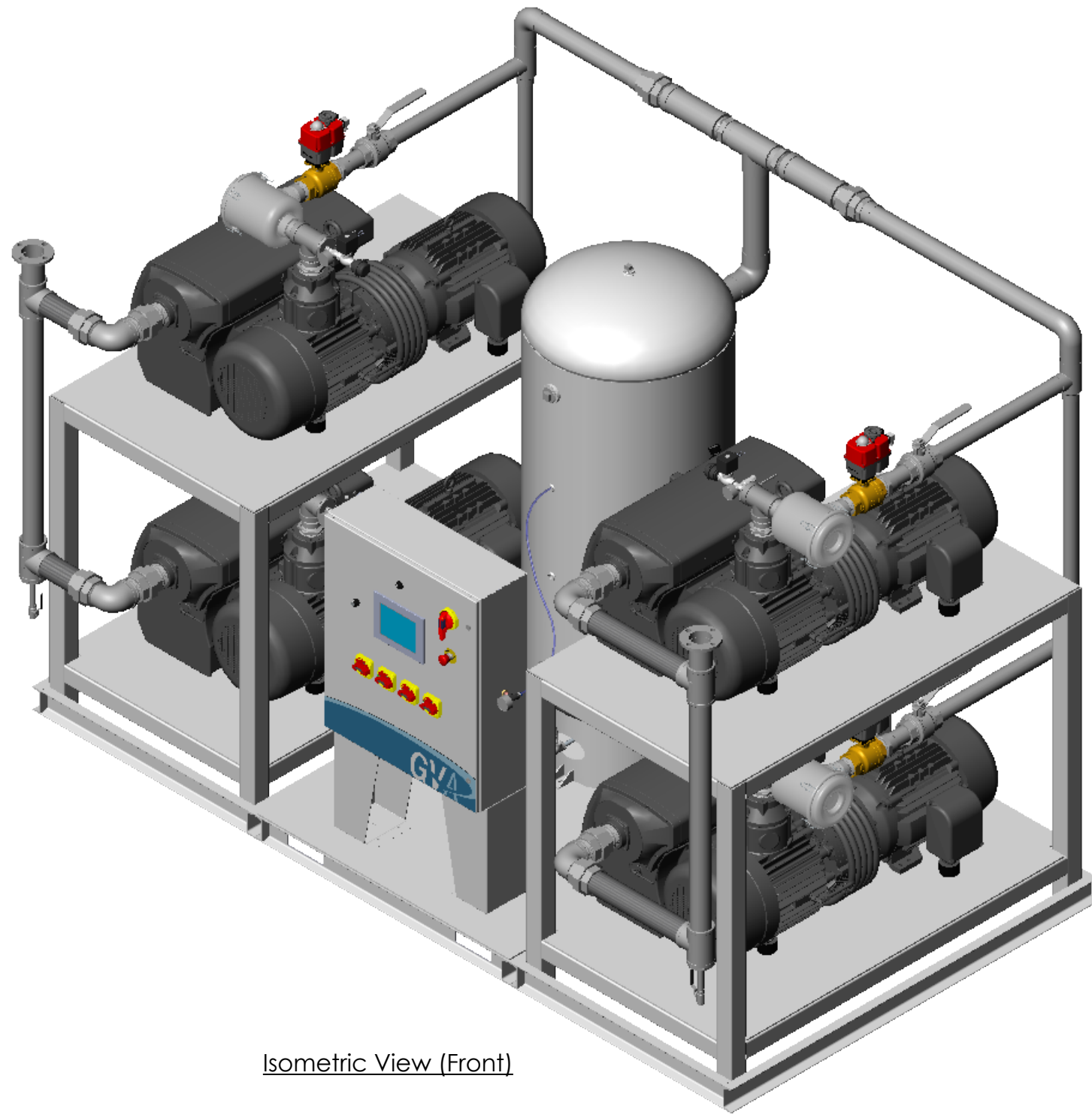
4

3

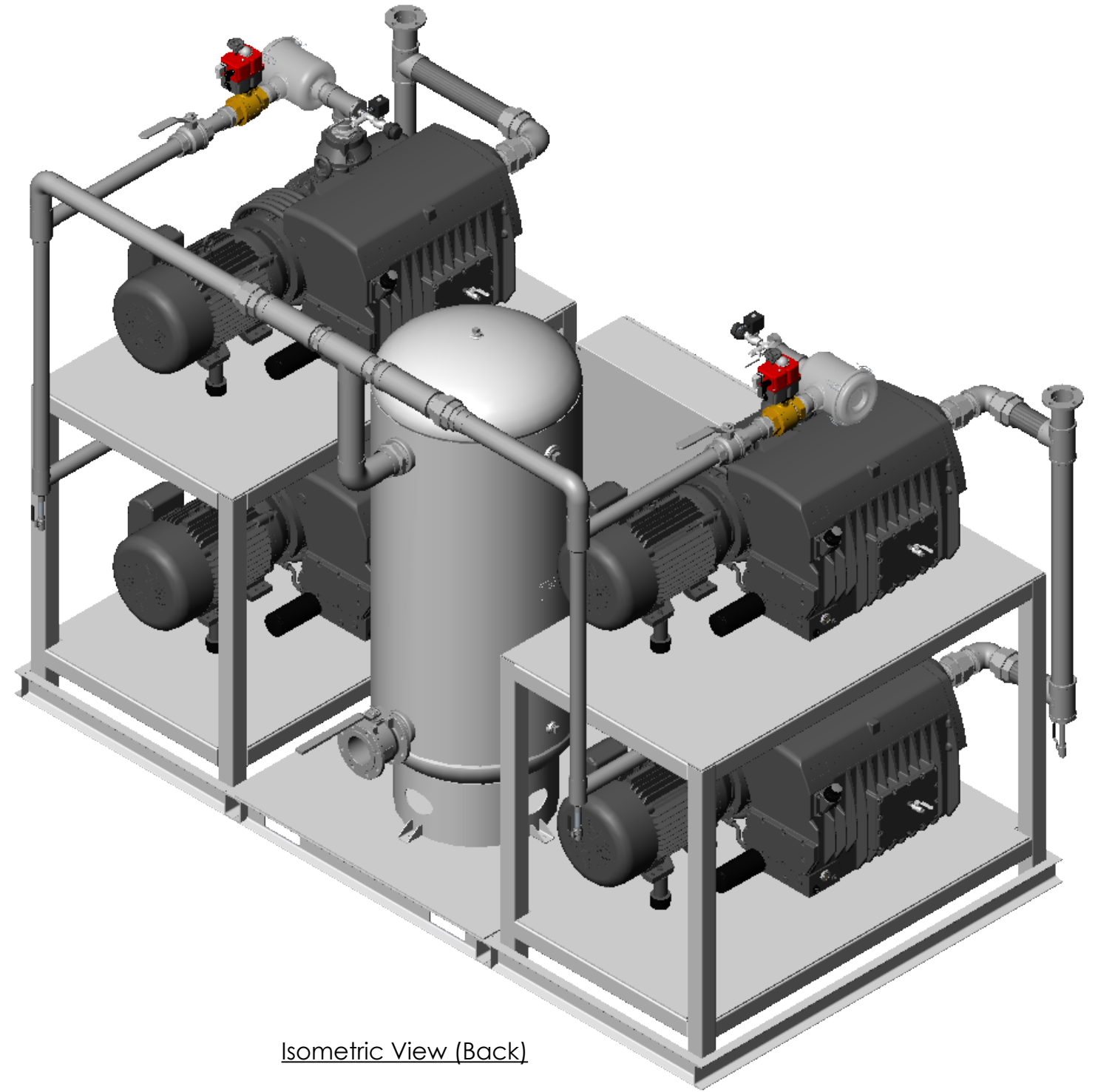
3

2

1



Isometric View (Front)



Isometric View (Back)



DESCRIPTION  
Quad 15 HP Lab Rotary  
Vane Skid Assembly

DRAWN BY  
SSC  
DATE  
5/2/2024

NOTE:  
All dimensions in  
Inches unless  
otherwise noted

PART NO.  
VR15Q-XXL-20V

REV. 1  
SIZE B

SCALE: 1:20

SHEET: 3 of 3

THIS DRAWING AND INFORMATION CONTAINED IN THIS DRAWING ARE CONFIDENTIAL PROPERTY OF AIR ENERGY GROUP. NO PART OF THIS DRAWING OR ANY INFORMATION CONTAINED IN THIS DRAWING MAY BE REPRODUCED OR TRANSFERRED WITHOUT THE WRITTEN PERMISSION OF AIR ENERGY GROUP.