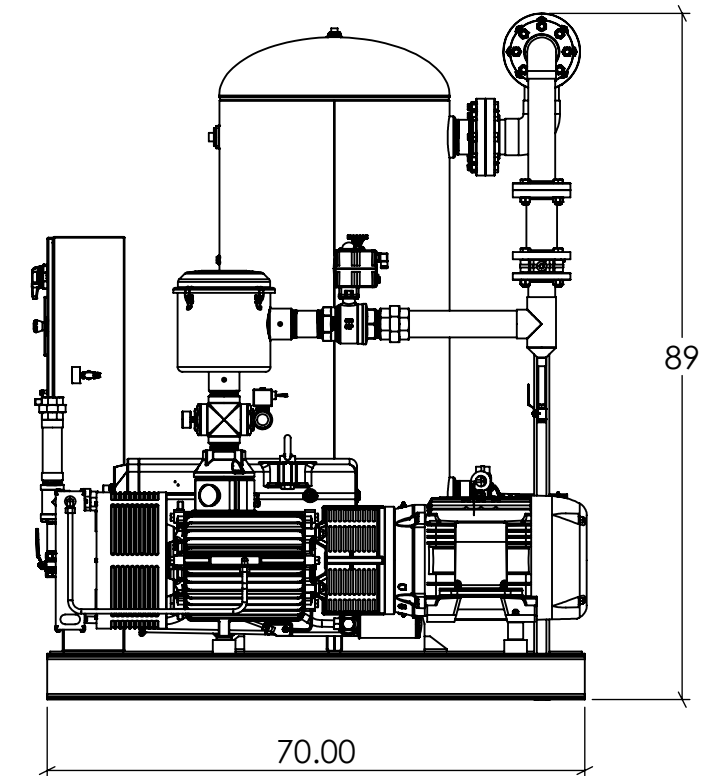



Front View



Right View

THIS DRAWING AND INFORMATION CONTAINED IN THIS DRAWING ARE CONFIDENTIAL PROPERTY OF AIR ENERGY GROUP. NO PART OF THIS DRAWING OR ANY INFORMATION CONTAINED IN THIS DRAWING MAY BE REPRODUCED OR TRANSFERRED WITHOUT THE WRITTEN PERMISSION OF AIR ENERGY GROUP.

		DESCRIPTION		
		Quad 25 HP Rotary Vane Lab Skid Assembly		
DRAWN BY SSC	NOTE: All dimensions in Inches unless otherwise noted	PART NO.	REV.	SIZE
DATE 6/18/2024		VR25Q-XXL-20V		B
		SCALE: 1:25	SHEET: 1 of 4	

6

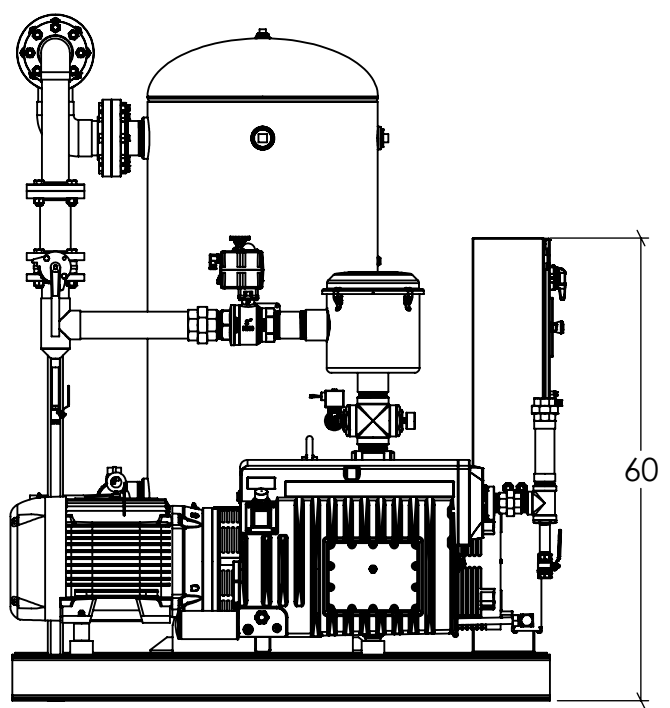
5

4

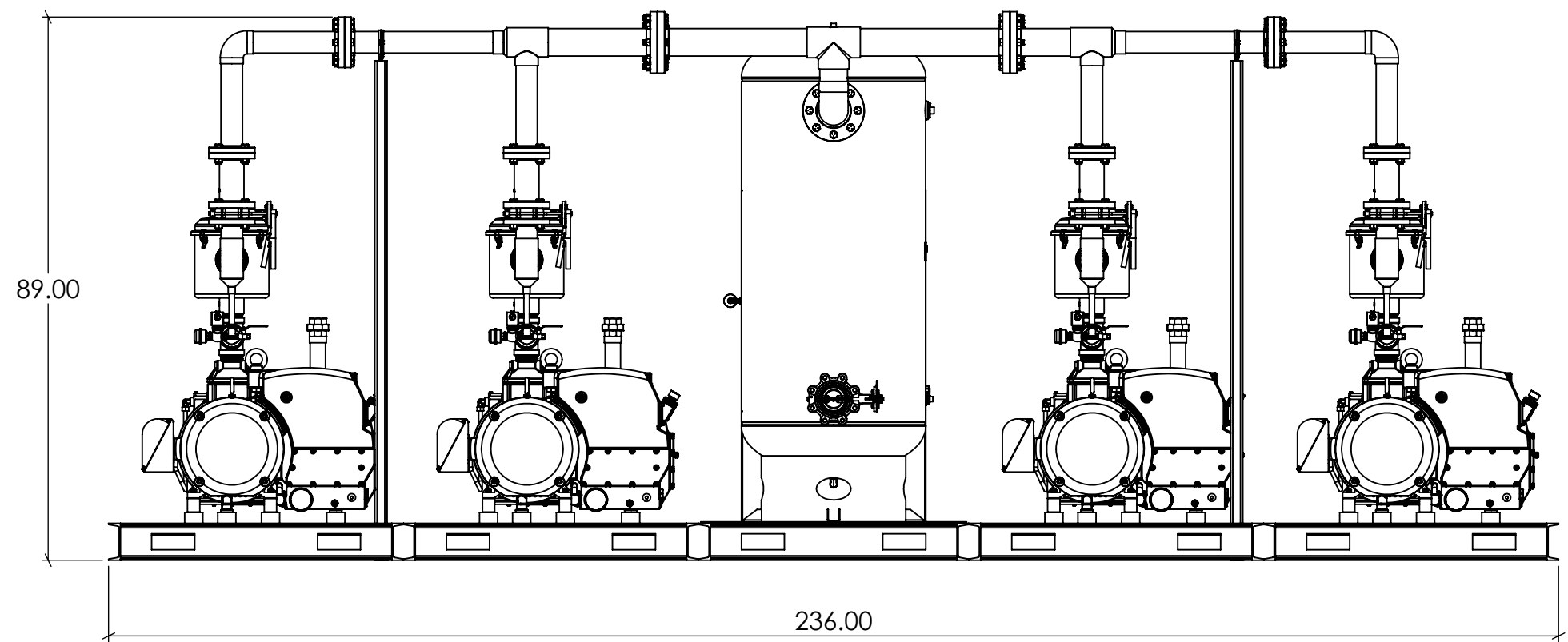
3

2

1



Left View



Back View



DESCRIPTION
 Quad 25 HP Rotary Vane
 Lab Skid Assembly

DRAWN BY
 SSC

DATE
 6/18/2024

NOTE:
 All dimensions in
 inches unless
 otherwise noted

PART NO.
 VR25Q-XXL-20V

SCALE: 1:25

REV. SIZE
 B

SHEET: 2 of 4

THIS DRAWING AND INFORMATION CONTAINED IN THIS DRAWING
 ARE CONFIDENTIAL PROPERTY OF AIR ENERGY GROUP. NO PART OF
 THIS DRAWING OR ANY INFORMATION CONTAINED IN THIS
 DRAWING MAY BE REPRODUCED OR TRANSFERRED WITHOUT THE
 WRITTEN PERMISSION OF AIR ENERGY GROUP.

6

5

4

3

2

1

6

5

4

3

2

1

D

D

C

C

B

B

A

A

2" Exhaust (x4)

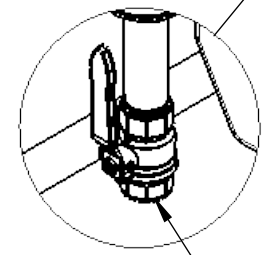
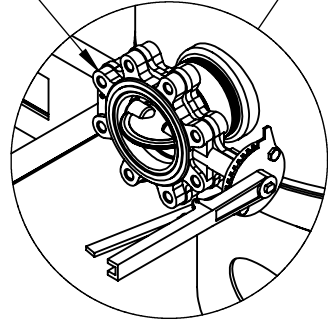
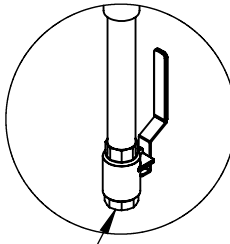
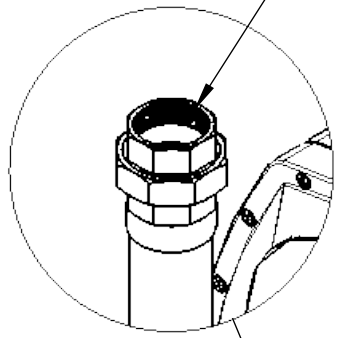
1/2" Drain Valve (x4)

4" Inlet

1" Drain Valve (x4)

Isometric View (Back)

Isometric View (Front)



THIS DRAWING AND INFORMATION CONTAINED IN THIS DRAWING ARE CONFIDENTIAL PROPERTY OF AIR ENERGY GROUP. NO PART OF THIS DRAWING OR ANY INFORMATION CONTAINED IN THIS DRAWING MAY BE REPRODUCED OR TRANSFERRED WITHOUT THE WRITTEN PERMISSION OF AIR ENERGY GROUP.



DESCRIPTION
Quad 25 HP Rotary Vane
Lab Skid Assembly

DRAWN BY
SSC
DATE
6/18/2024

NOTE:
All dimensions in
Inches unless
otherwise noted

PART NO.
VR25Q-XXL-20V

REV. SIZE
SHEET: 3 of 4

SCALE: 1:30

6

5

4

3

2

1

6

5

4

3

2

1

1

D

D

C

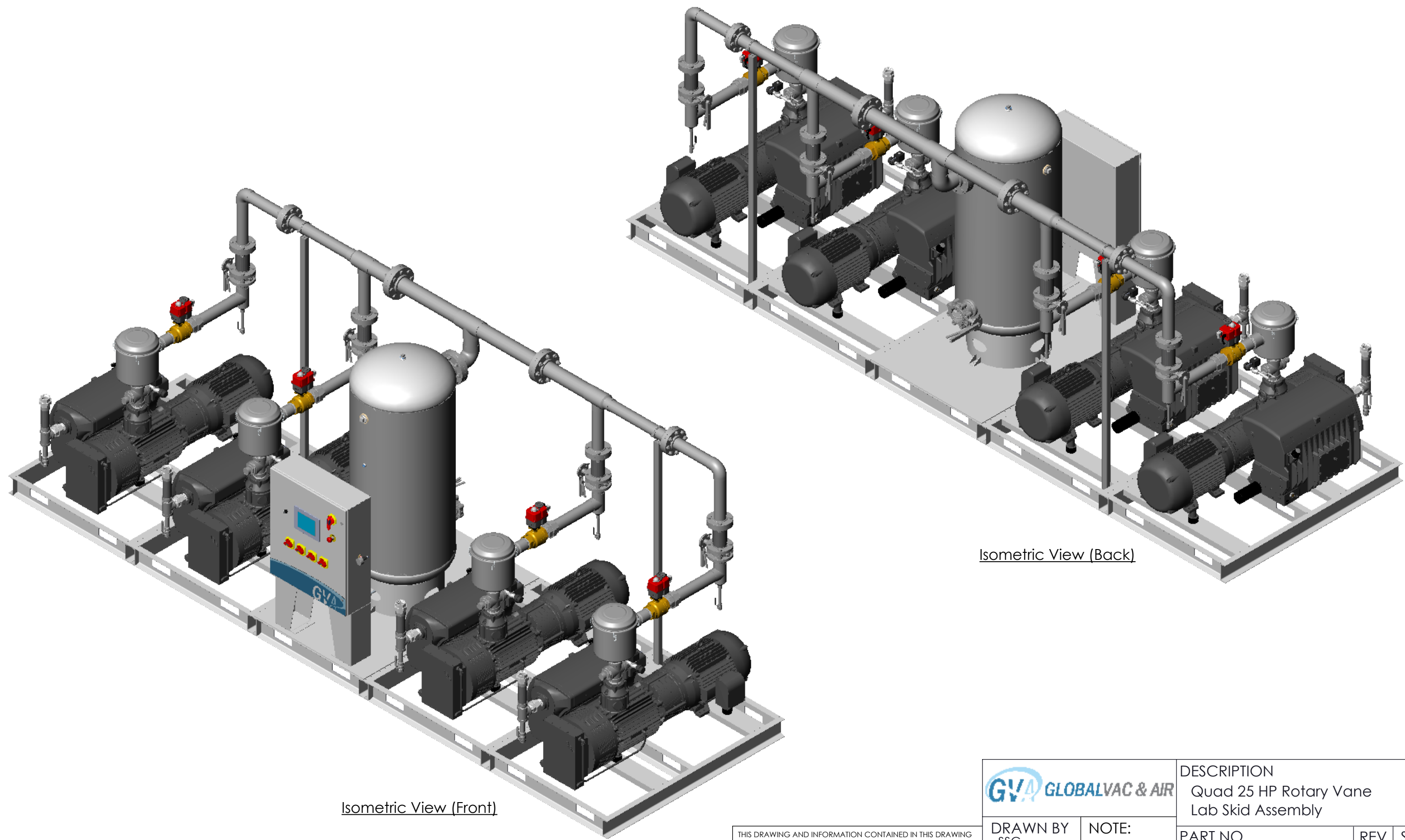
C

B

B

A

A



Isometric View (Front)

Isometric View (Back)



DESCRIPTION
 Quad 25 HP Rotary Vane
 Lab Skid Assembly

THIS DRAWING AND INFORMATION CONTAINED IN THIS DRAWING ARE CONFIDENTIAL PROPERTY OF AIR ENERGY GROUP. NO PART OF THIS DRAWING OR ANY INFORMATION CONTAINED IN THIS DRAWING MAY BE REPRODUCED OR TRANSFERRED WITHOUT THE WRITTEN PERMISSION OF AIR ENERGY GROUP.

DRAWN BY
 SSC
 DATE
 6/18/2024

NOTE:
 All dimensions in
 inches unless
 otherwise noted

PART NO. VR25Q-XXL-20V	REV.	SIZE B
SCALE: 1:25	SHEET: 4 of 4	

6

5

4

3

2

1

1