

6

5

4

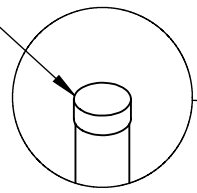
3

2

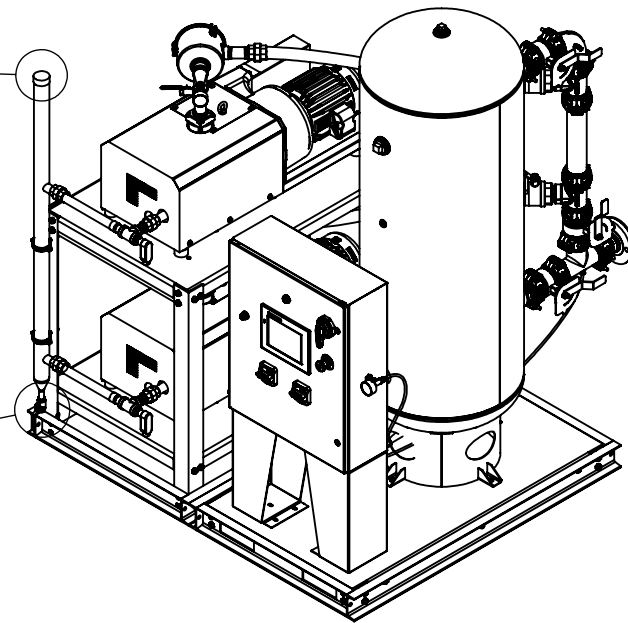
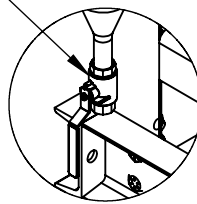
1

1

2" Discharge

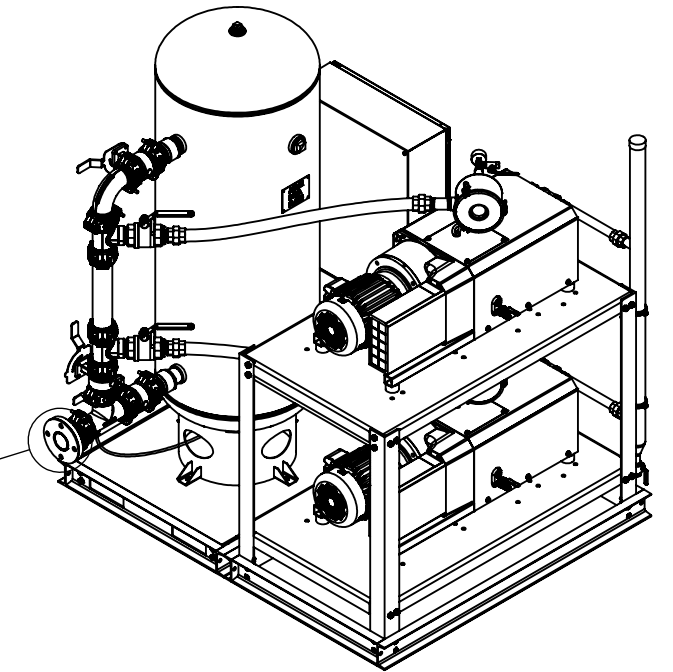
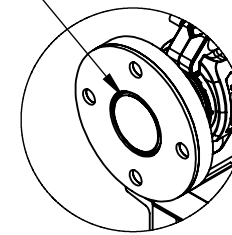


1/2" Drain Valve

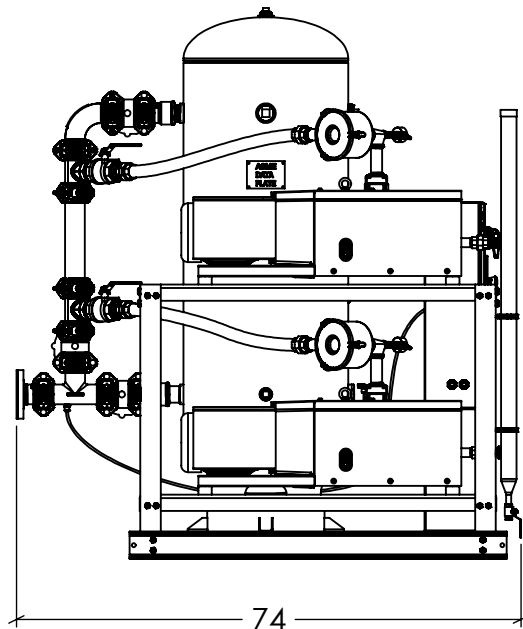


Isometric View (Front)

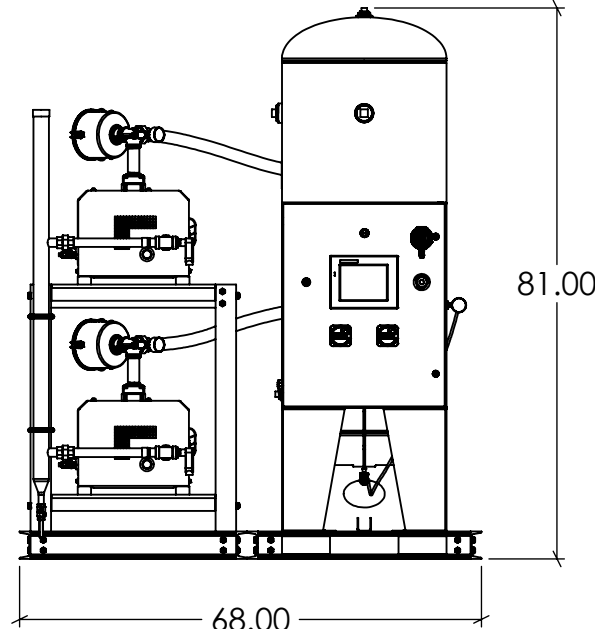
2" Inlet



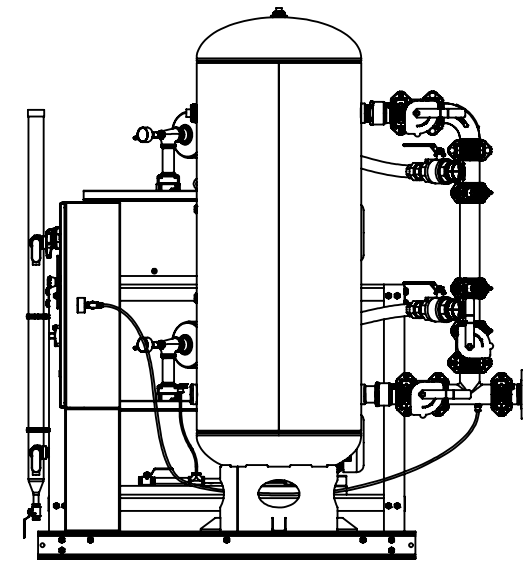
Isometric View (Back)



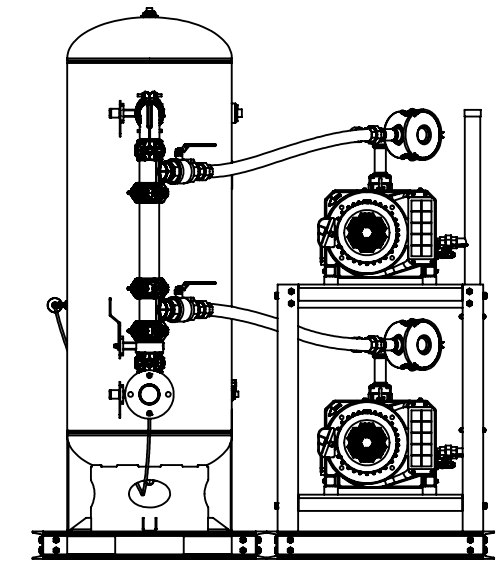
Left View



Front View



Right View



Back View



DESCRIPTION  
Duplex 5 HP Medical Claw  
Skid Assembly

DRAWN BY  
SSC

DATE  
9/26/2024

NOTE:  
All dimensions in  
Inches unless  
otherwise noted

PART NO.  
VC05D-XXM-12V

SCALE: 1:28

REV. SIZE  
B

SHEET: 1 of 2

THIS DRAWING AND INFORMATION CONTAINED IN THIS DRAWING ARE CONFIDENTIAL PROPERTY OF AIR ENERGY GROUP. NO PART OF THIS DRAWING OR ANY INFORMATION CONTAINED IN THIS DRAWING MAY BE REPRODUCED OR TRANSFERRED WITHOUT THE WRITTEN PERMISSION OF AIR ENERGY GROUP.

6

5

4

3

2

1

1

6

5

4

3

2

1

D

C

B

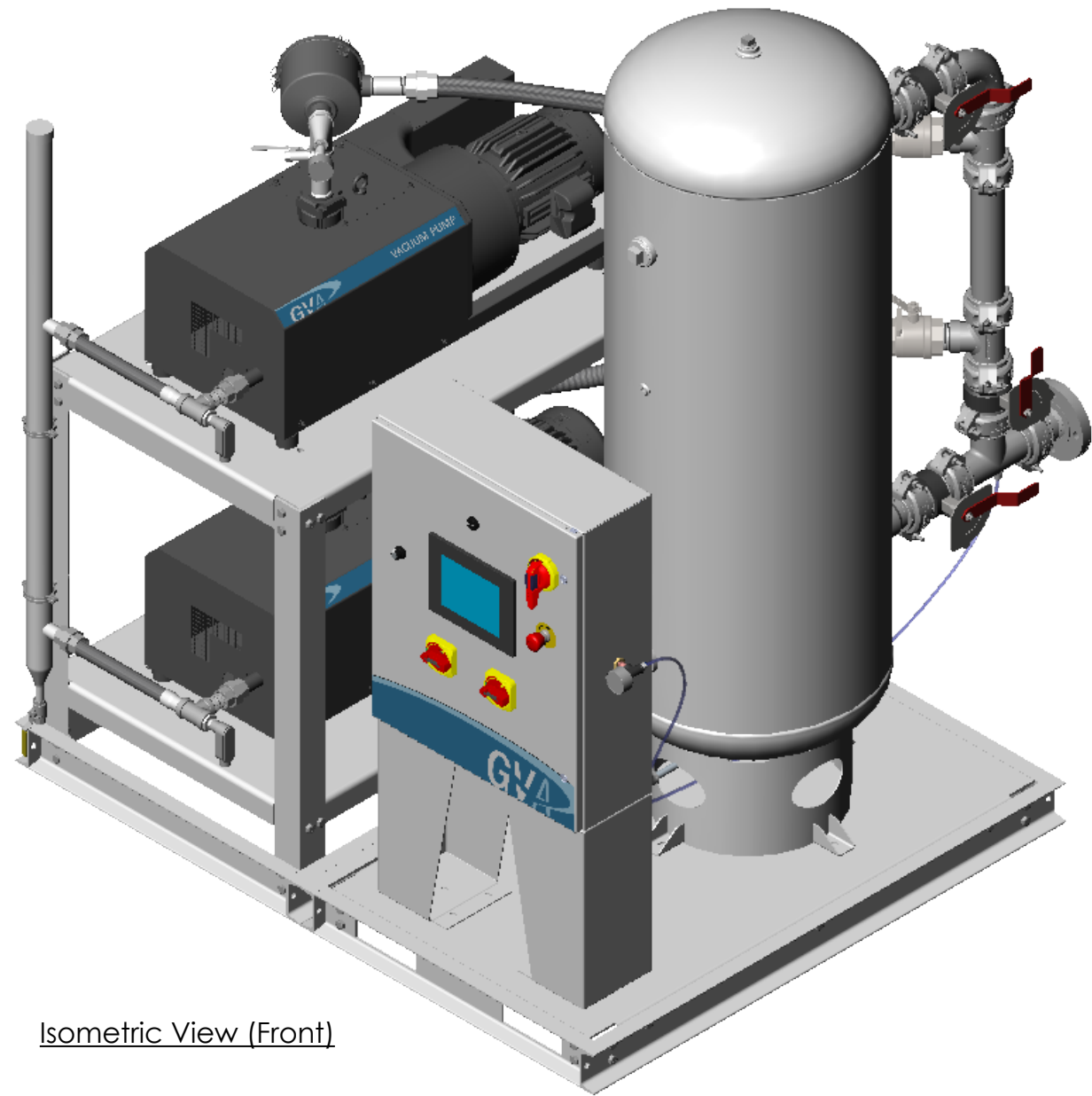
A

D

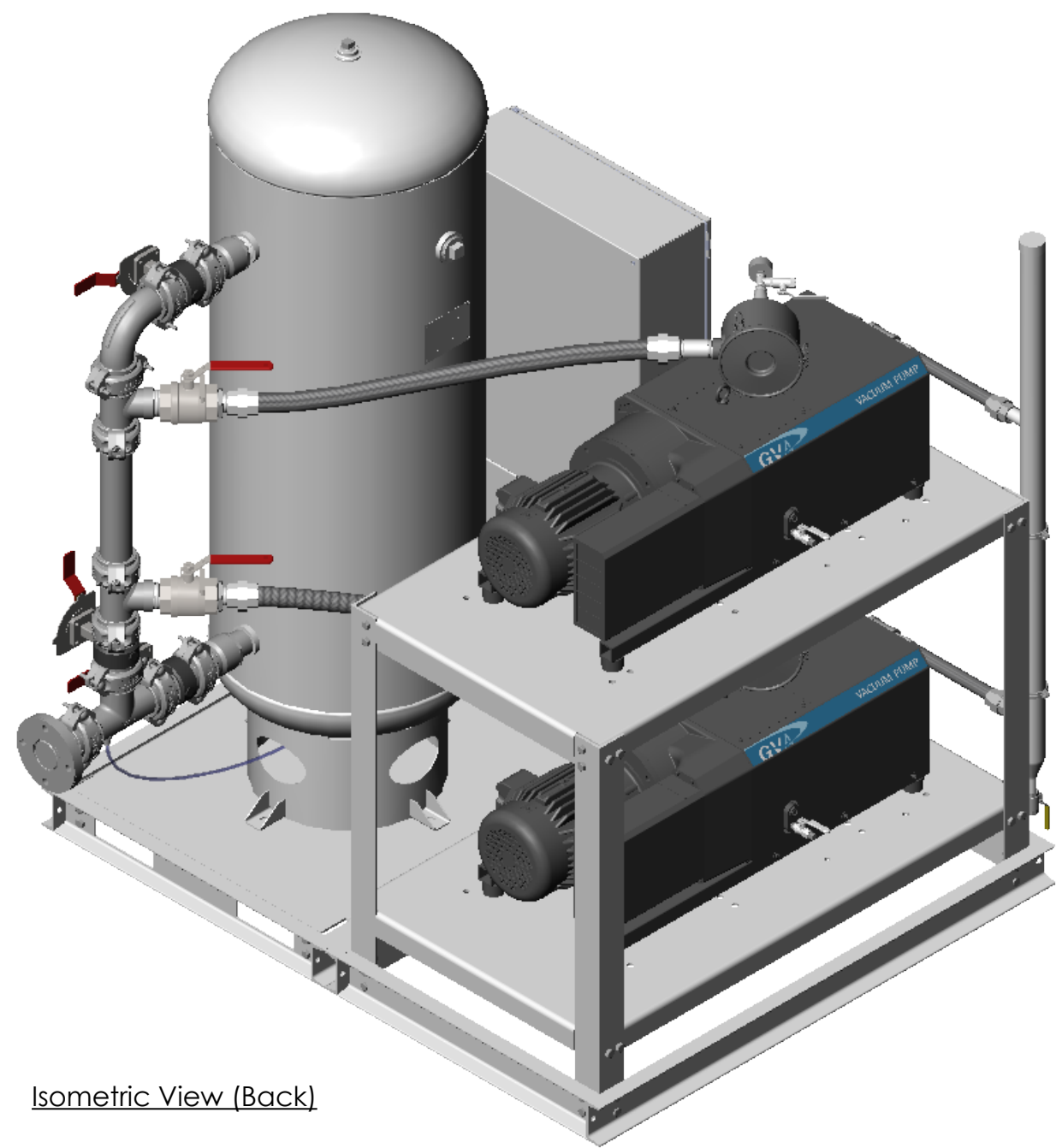
C

B

A



Isometric View (Front)



Isometric View (Back)

THIS DRAWING AND INFORMATION CONTAINED IN THIS DRAWING ARE CONFIDENTIAL PROPERTY OF AIR ENERGY GROUP. NO PART OF THIS DRAWING OR ANY INFORMATION CONTAINED IN THIS DRAWING MAY BE REPRODUCED OR TRANSFERRED WITHOUT THE WRITTEN PERMISSION OF AIR ENERGY GROUP.



DRAWN BY  
SSC  
DATE  
9/26/2024

NOTE:  
All dimensions in  
Inches unless  
otherwise noted

DESCRIPTION Duplex 5 HP Medical Claw Skid Assembly		REV.	SIZE B
PART NO. VC05D-XXM-12V		SHEET: 2 of 2	
SCALE: 1:14			

6

5

4

3

2

1