

6

5

4

3

2

2

1

D

D

C

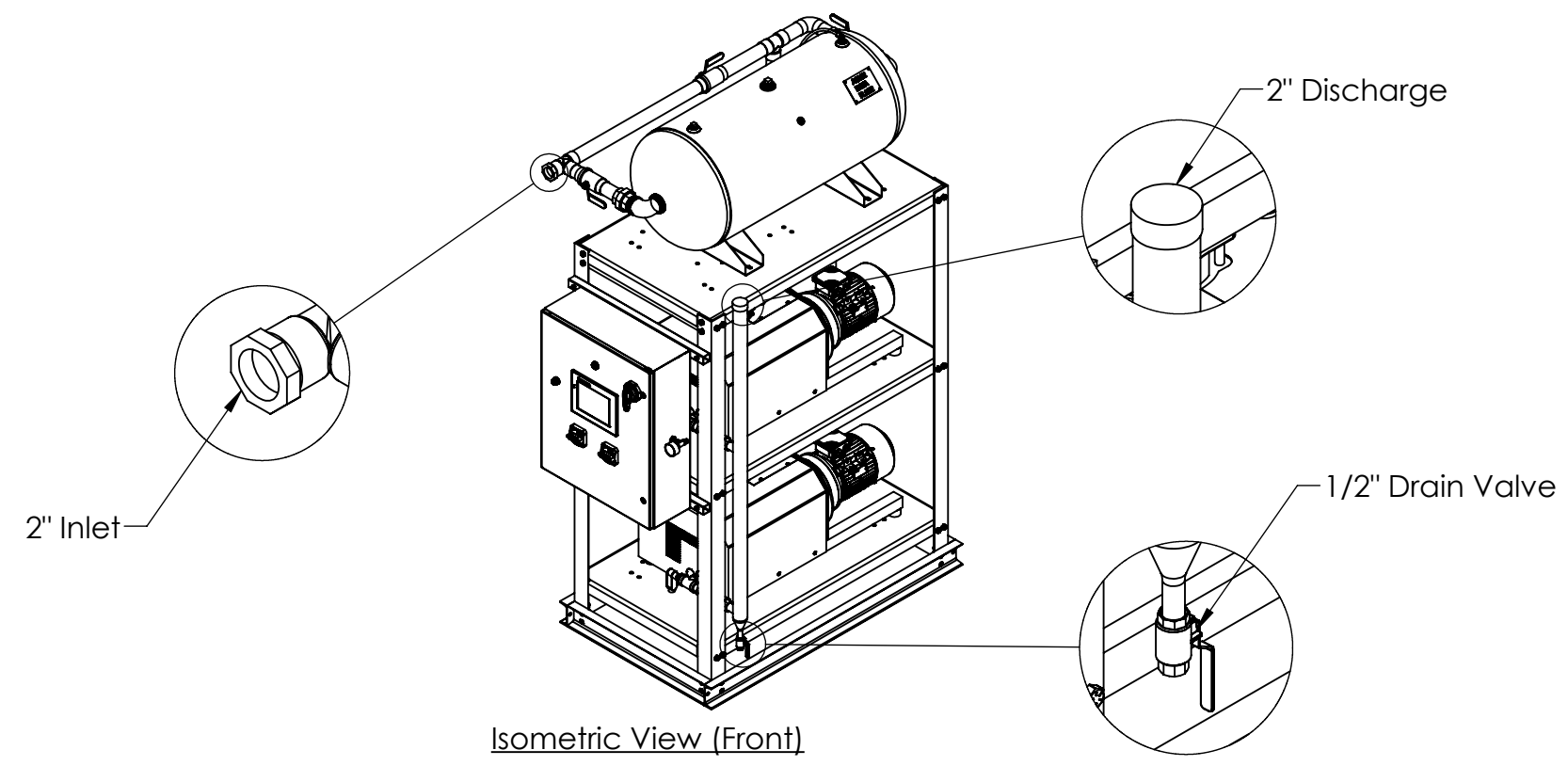
C

B

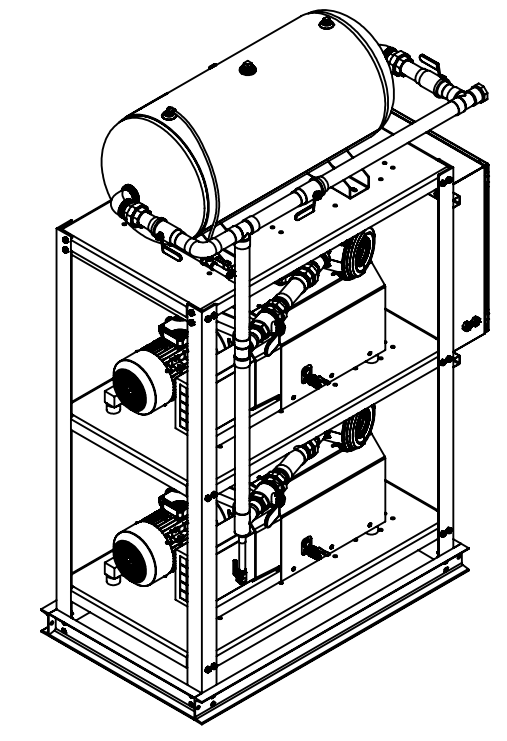
B

A

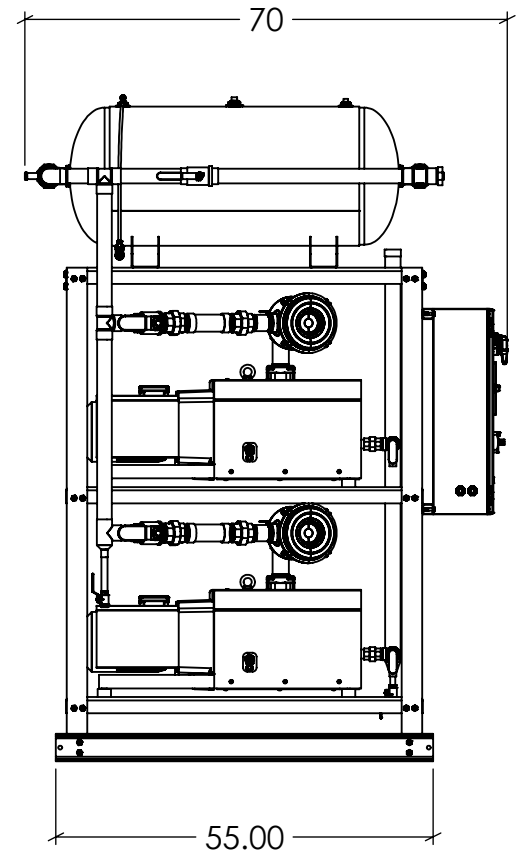
A



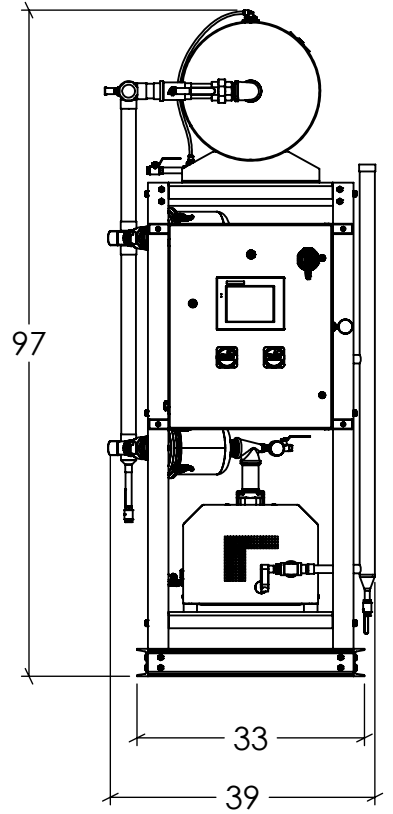
Isometric View (Front)



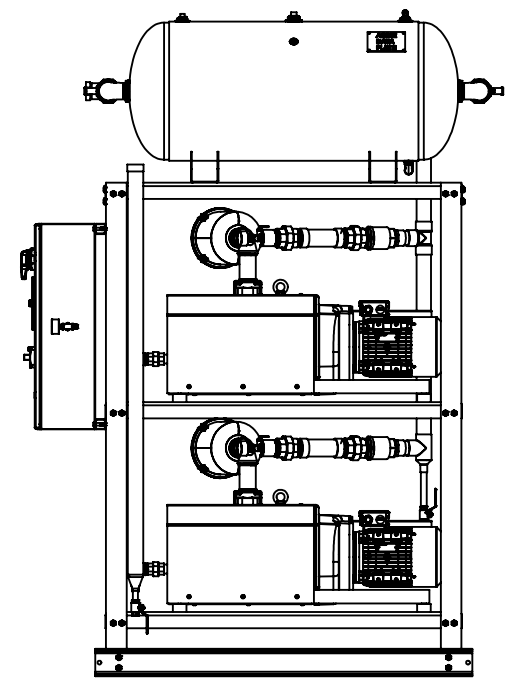
Isometric View (Back)



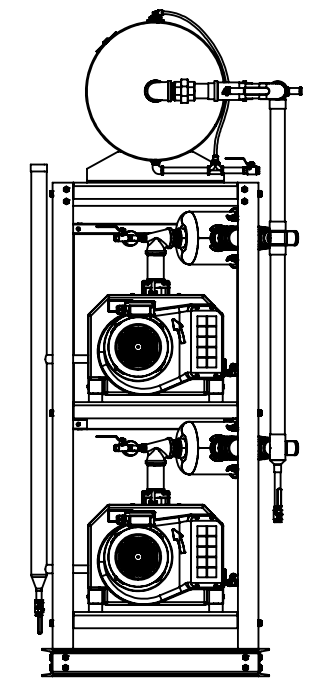
Left View



Front View



Right View



Back View

THIS DRAWING AND INFORMATION CONTAINED IN THIS DRAWING ARE CONFIDENTIAL PROPERTY OF AIR ENERGY GROUP. NO PART OF THIS DRAWING OR ANY INFORMATION CONTAINED IN THIS DRAWING MAY BE REPRODUCED OR TRANSFERRED WITHOUT THE WRITTEN PERMISSION OF AIR ENERGY GROUP.



DESCRIPTION
Duplex 7 HP Medical Claw Skid Assembly

DRAWN BY
SSC

NOTE:
All dimensions in inches unless otherwise noted

DATE
11/4/2024

PART NO.
VC07F-XXM-06H

REV. SIZE
B

SCALE: 1:28

SHEET: 1 of 2

6

5

4

3

2

2

1

6

5

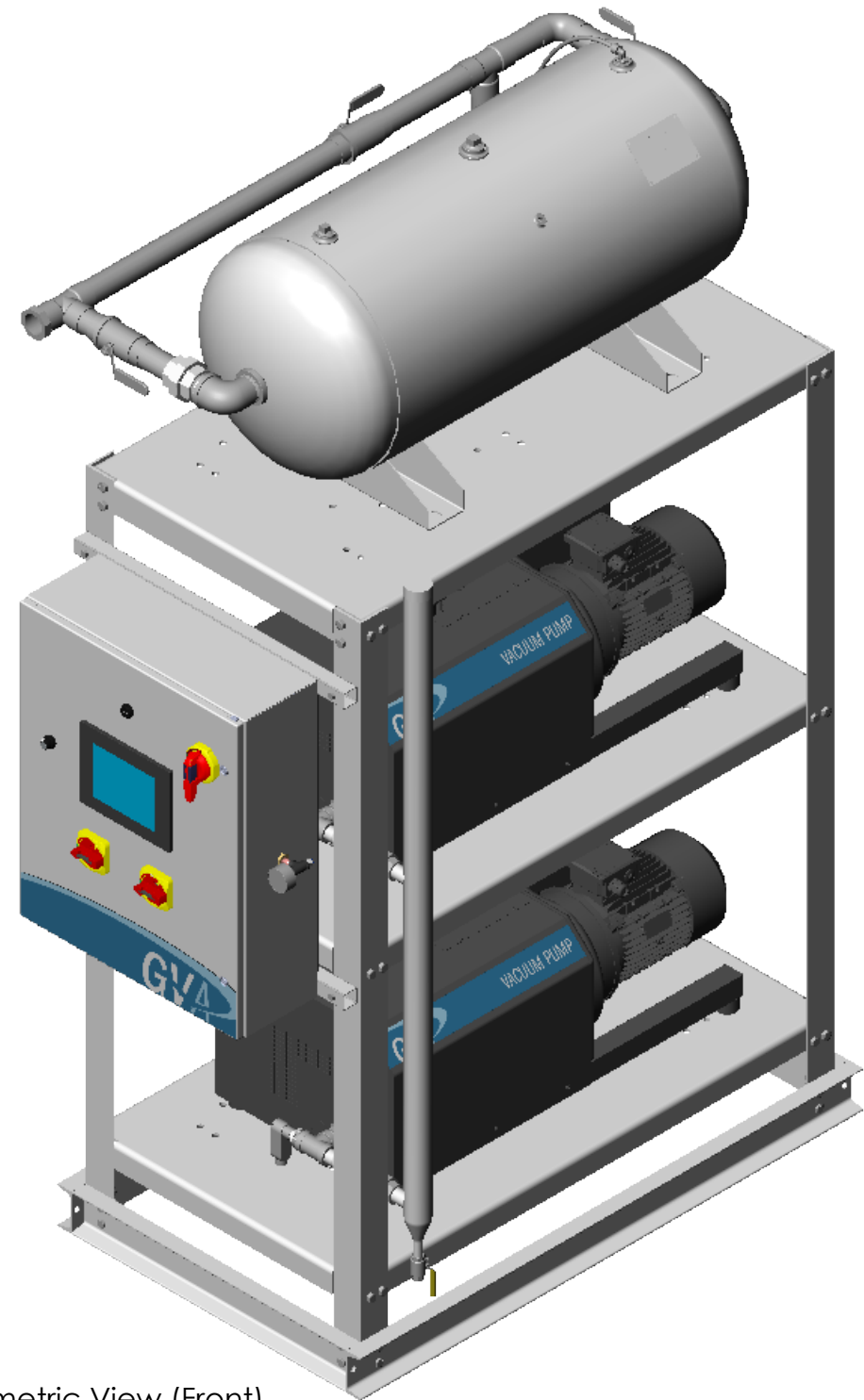
4

3

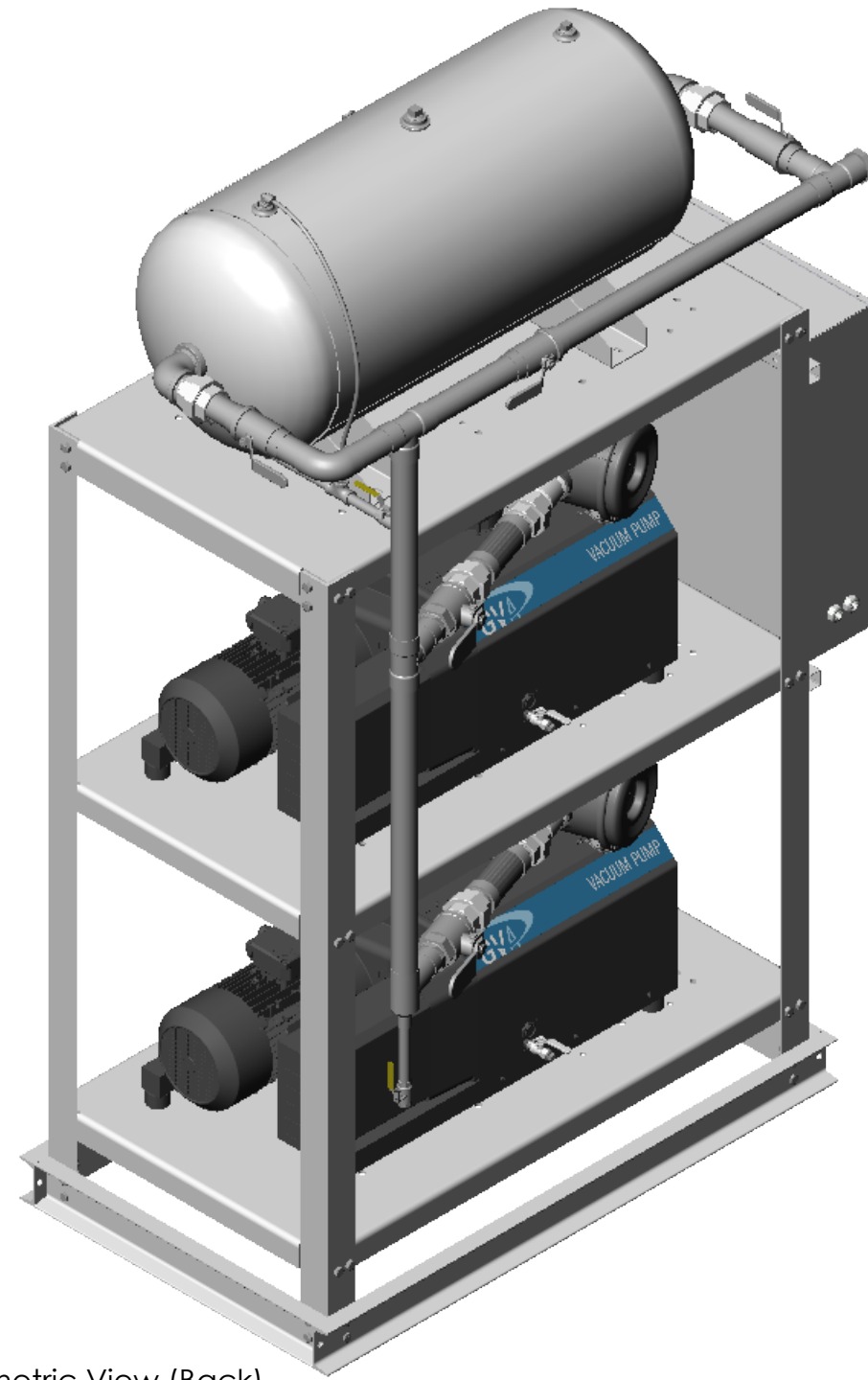
2

1

1



Isometric View (Front)



Isometric View (Back)



DESCRIPTION
Duplex 7 HP Medical Claw
Skid Assembly

DRAWN BY
SSC

DATE
11/4/2024

NOTE:
All dimensions in
Inches unless
otherwise noted

PART NO.
VC07F-XXM-06H

SCALE: 1:14

REV. SIZE
B

SHEET: 2 of 2

THIS DRAWING AND INFORMATION CONTAINED IN THIS DRAWING ARE CONFIDENTIAL PROPERTY OF AIR ENERGY GROUP. NO PART OF THIS DRAWING OR ANY INFORMATION CONTAINED IN THIS DRAWING MAY BE REPRODUCED OR TRANSFERRED WITHOUT THE WRITTEN PERMISSION OF AIR ENERGY GROUP.

6

5

4

3

2

1

1