

6

5

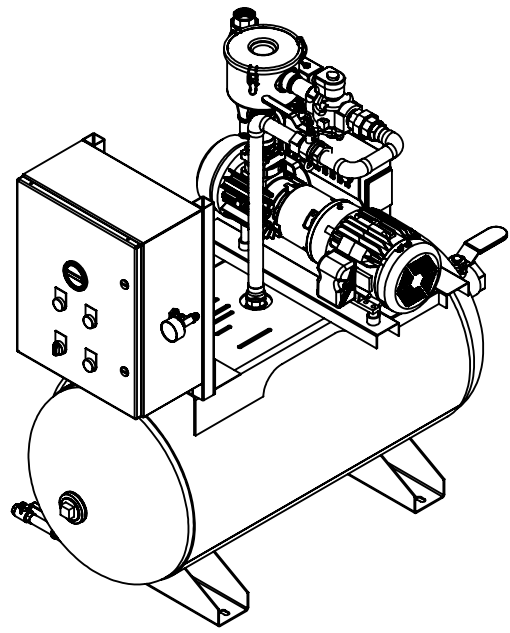
4

3

2

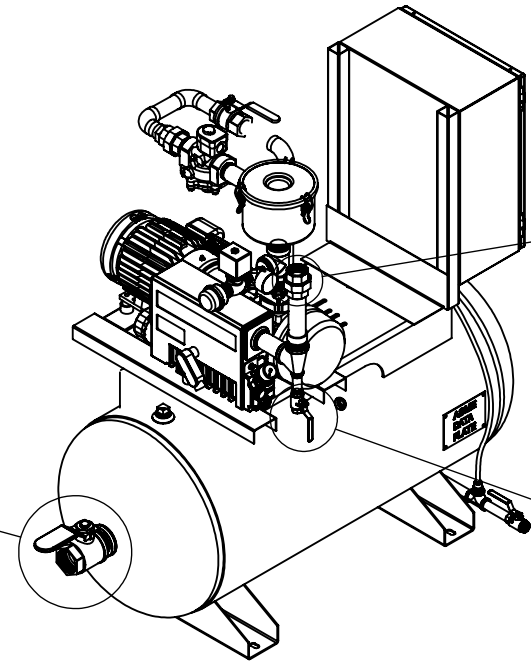
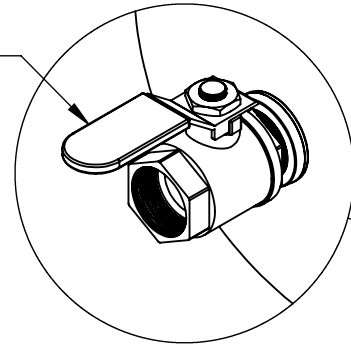
1

1



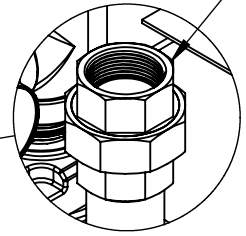
Isometric View (Front)

2" Inlet

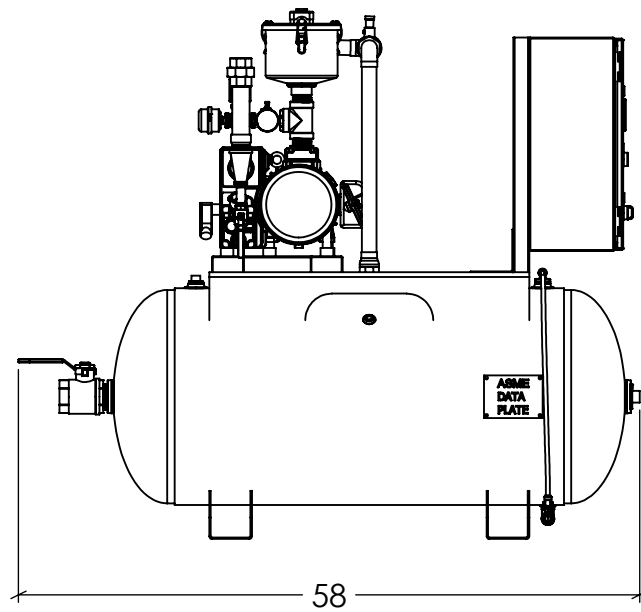
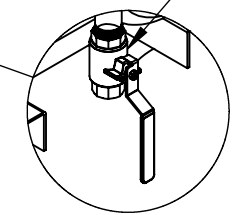


Isometric View (Back)

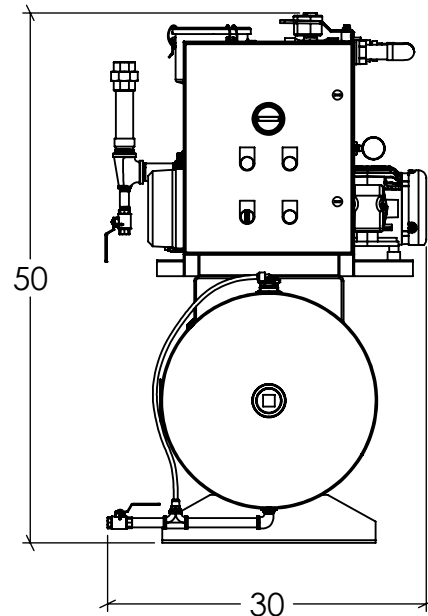
1 1/4" Exhaust



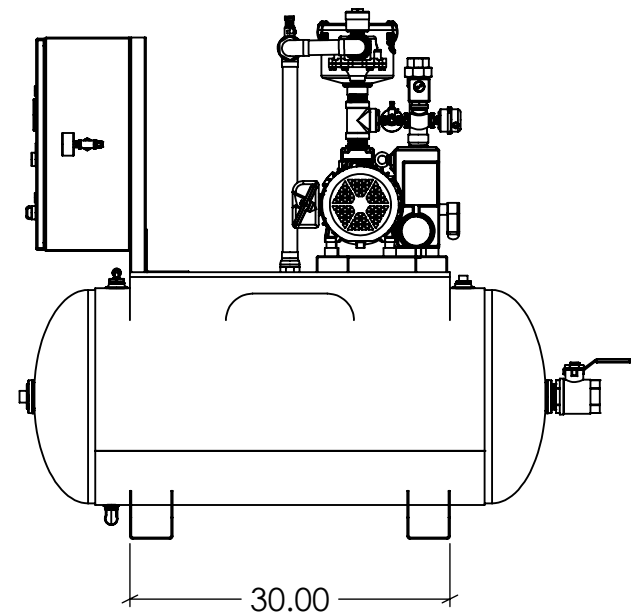
1/2" Drain Valve



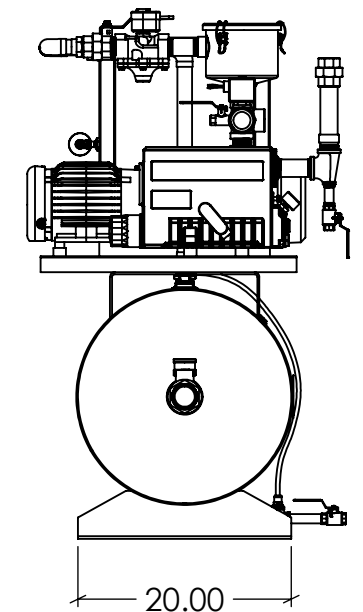
Left View



Front View



Right View



Back View



DESCRIPTION  
Simplex 2 HP Rotary Vane  
Lab Skid Assembly

DRAWN BY  
SSC  
DATE  
9/13/2024

NOTE:  
All dimensions in  
Inches unless  
otherwise noted

PART NO.  
VR02A-XXL-06H  
SCALE: 1:18

REV. SIZE  
SHEET: 1 of 2

THIS DRAWING AND INFORMATION CONTAINED IN THIS DRAWING ARE CONFIDENTIAL PROPERTY OF AIR ENERGY GROUP. NO PART OF THIS DRAWING OR ANY INFORMATION CONTAINED IN THIS DRAWING MAY BE REPRODUCED OR TRANSFERRED WITHOUT THE WRITTEN PERMISSION OF AIR ENERGY GROUP.

6

5

4

3

2

1

1

6

5

4

3

2

1

6

D

D

C

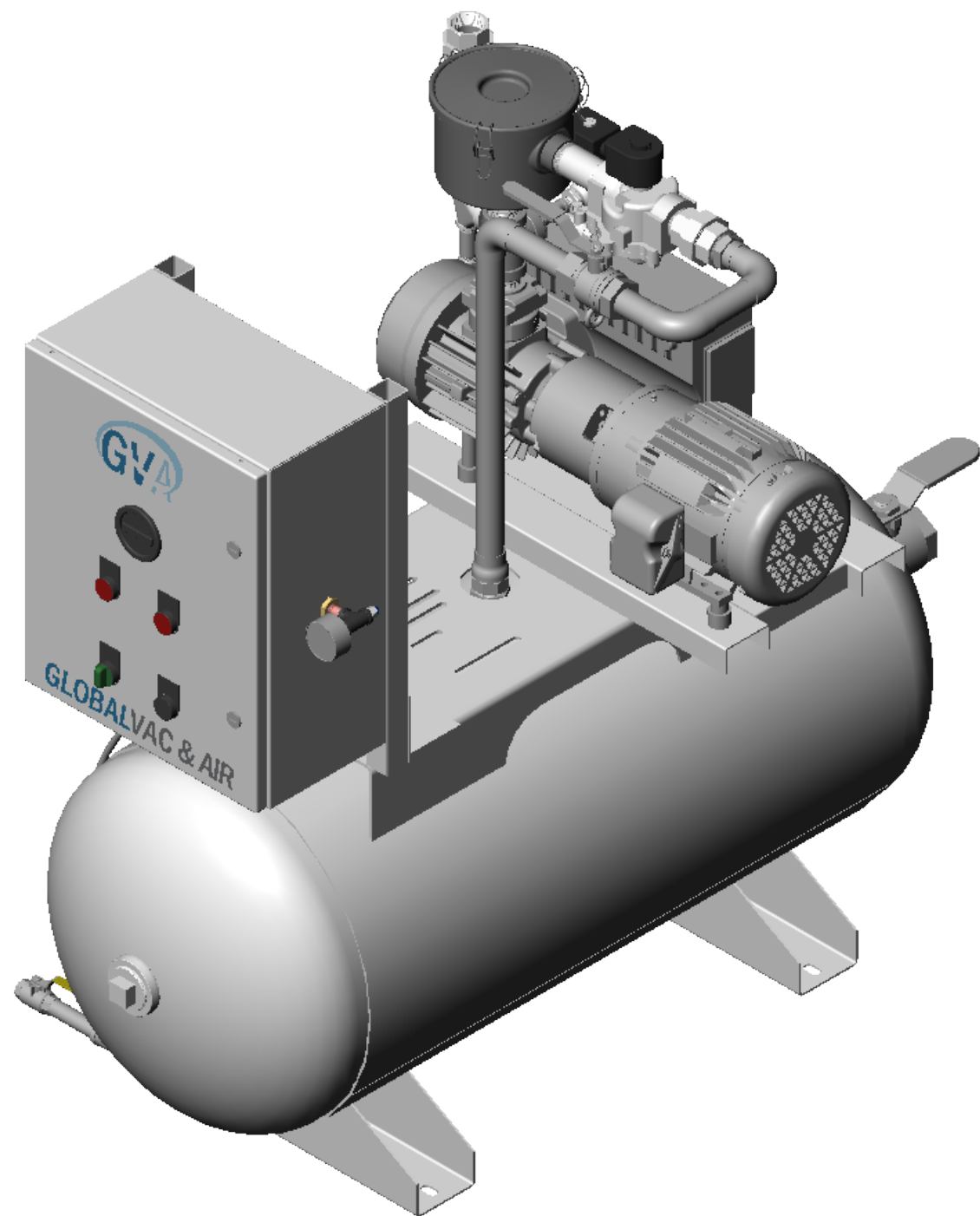
C

B

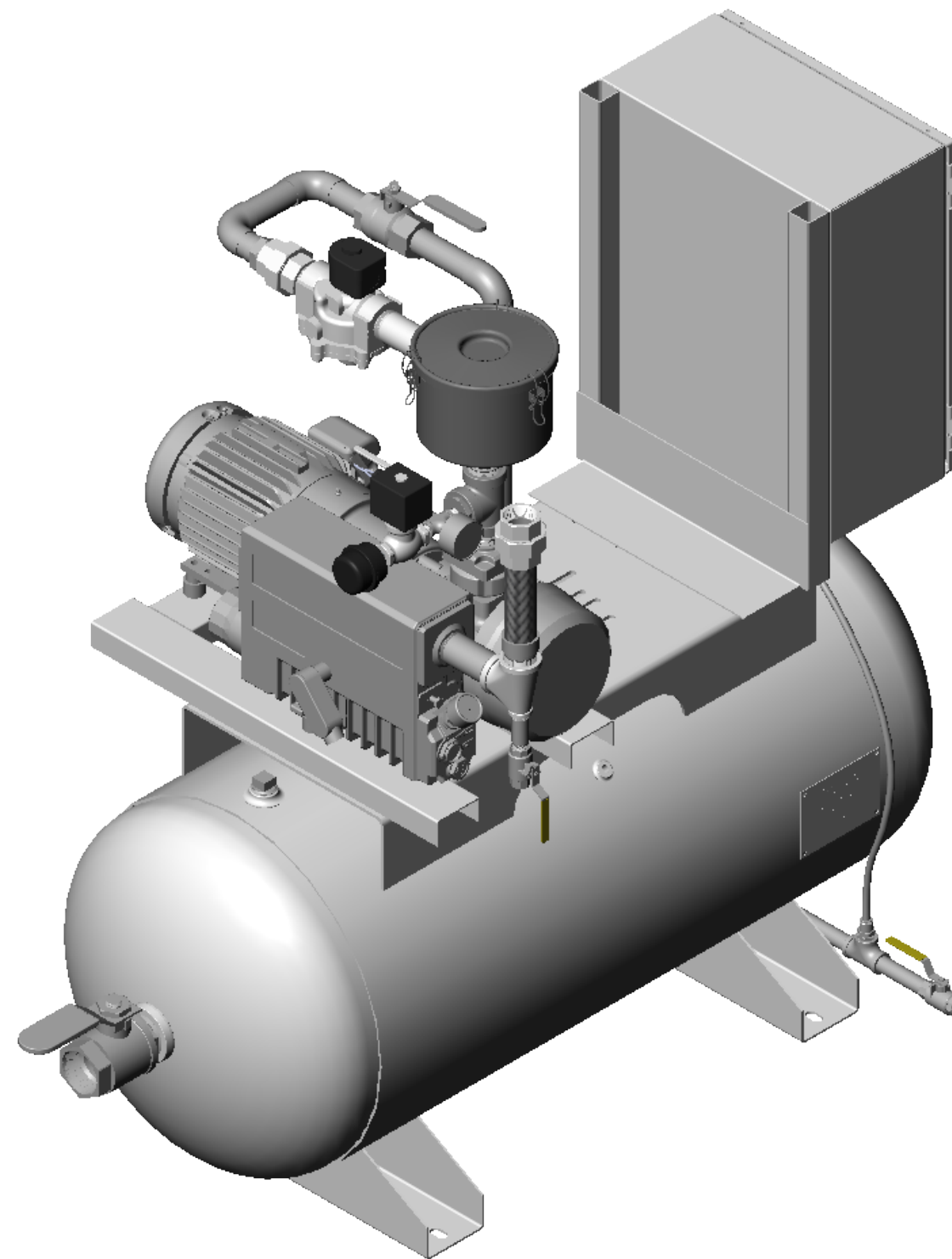
B

A

A



Isometric View (Front)



Isometric View (Back)

THIS DRAWING AND INFORMATION CONTAINED IN THIS DRAWING ARE CONFIDENTIAL PROPERTY OF AIR ENERGY GROUP. NO PART OF THIS DRAWING OR ANY INFORMATION CONTAINED IN THIS DRAWING MAY BE REPRODUCED OR TRANSFERRED WITHOUT THE WRITTEN PERMISSION OF AIR ENERGY GROUP.

		DESCRIPTION		
		Simplex 2 HP Rotary Vane Lab Skid Assembly		
DRAWN BY SSC	NOTE: All dimensions in inches unless otherwise noted	PART NO.	REV.	SIZE
DATE 9/13/2024		VR02A-XXL-06H		B
		SCALE: 1:8	SHEET: 2 of 2	

6

5

4

3

2

1

6