

6

5

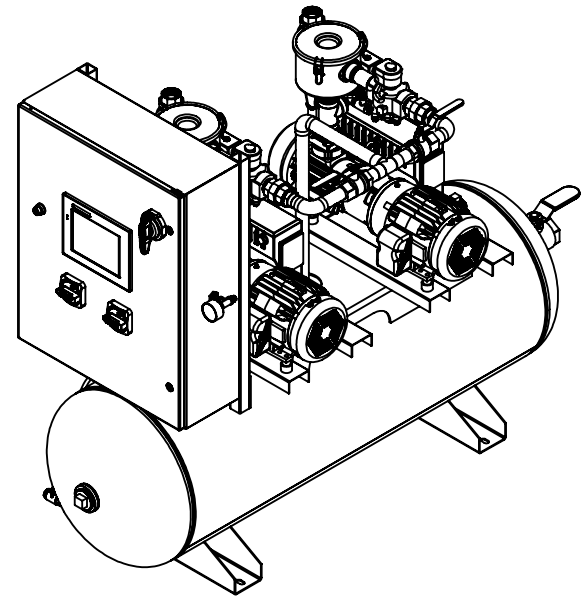
4

3

2

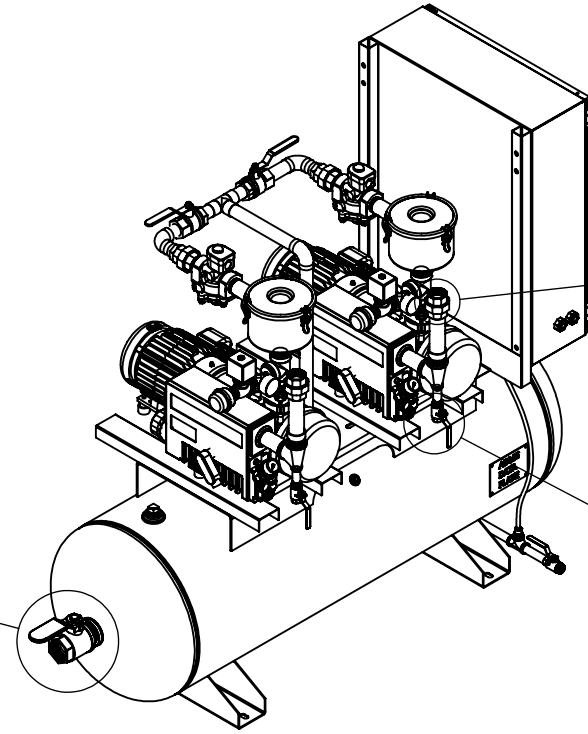
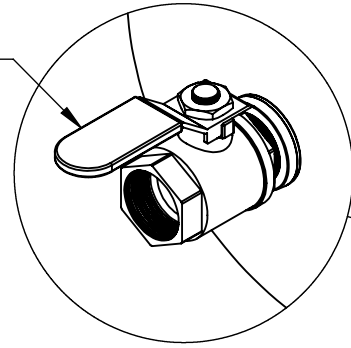
1

1



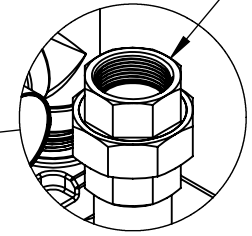
Isometric View (Front)

2" Inlet

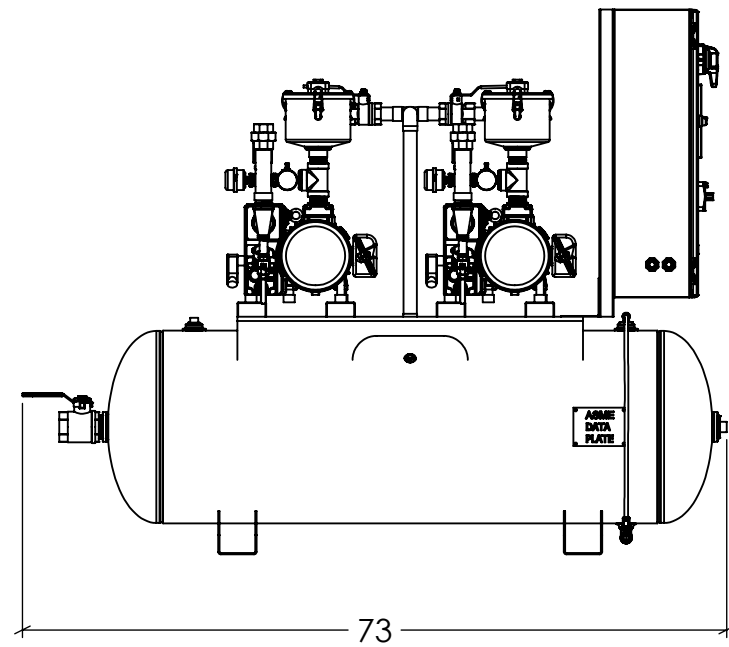
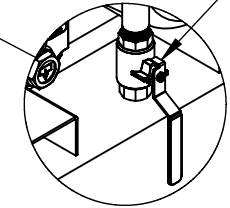


Isometric View (Back)

1 1/4" Exhaust

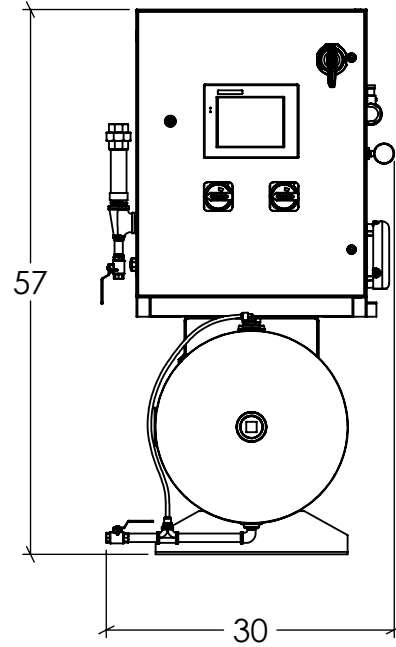


1/2" Drain Valve



Left View

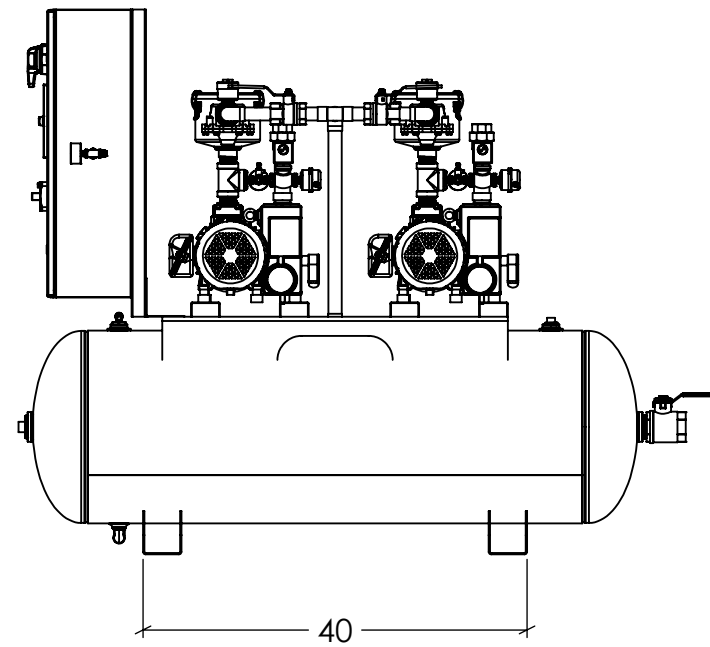
73



Front View

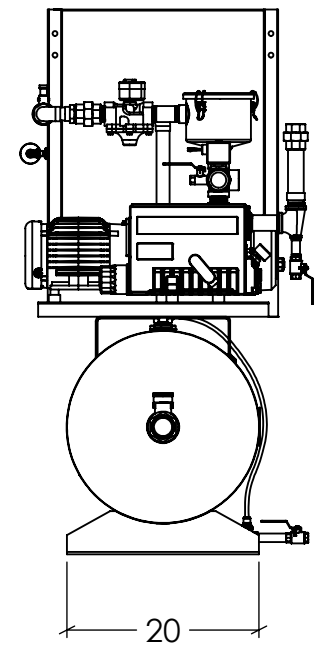
57

30



Right View

40



Back View

20



DESCRIPTION
Duplex 2 HP Rotary Vane
Lab Skid Assembly

DRAWN BY
SSC

DATE
11/5/2024

NOTE:
All dimensions in
Inches unless
otherwise noted

PART NO.
VR02B-XXL-08H

SCALE: 1:20

REV. SIZE
B

SHEET: 1 of 2

THIS DRAWING AND INFORMATION CONTAINED IN THIS DRAWING ARE CONFIDENTIAL PROPERTY OF AIR ENERGY GROUP. NO PART OF THIS DRAWING OR ANY INFORMATION CONTAINED IN THIS DRAWING MAY BE REPRODUCED OR TRANSFERRED WITHOUT THE WRITTEN PERMISSION OF AIR ENERGY GROUP.

6

5

4

3

2

1

1

6

5

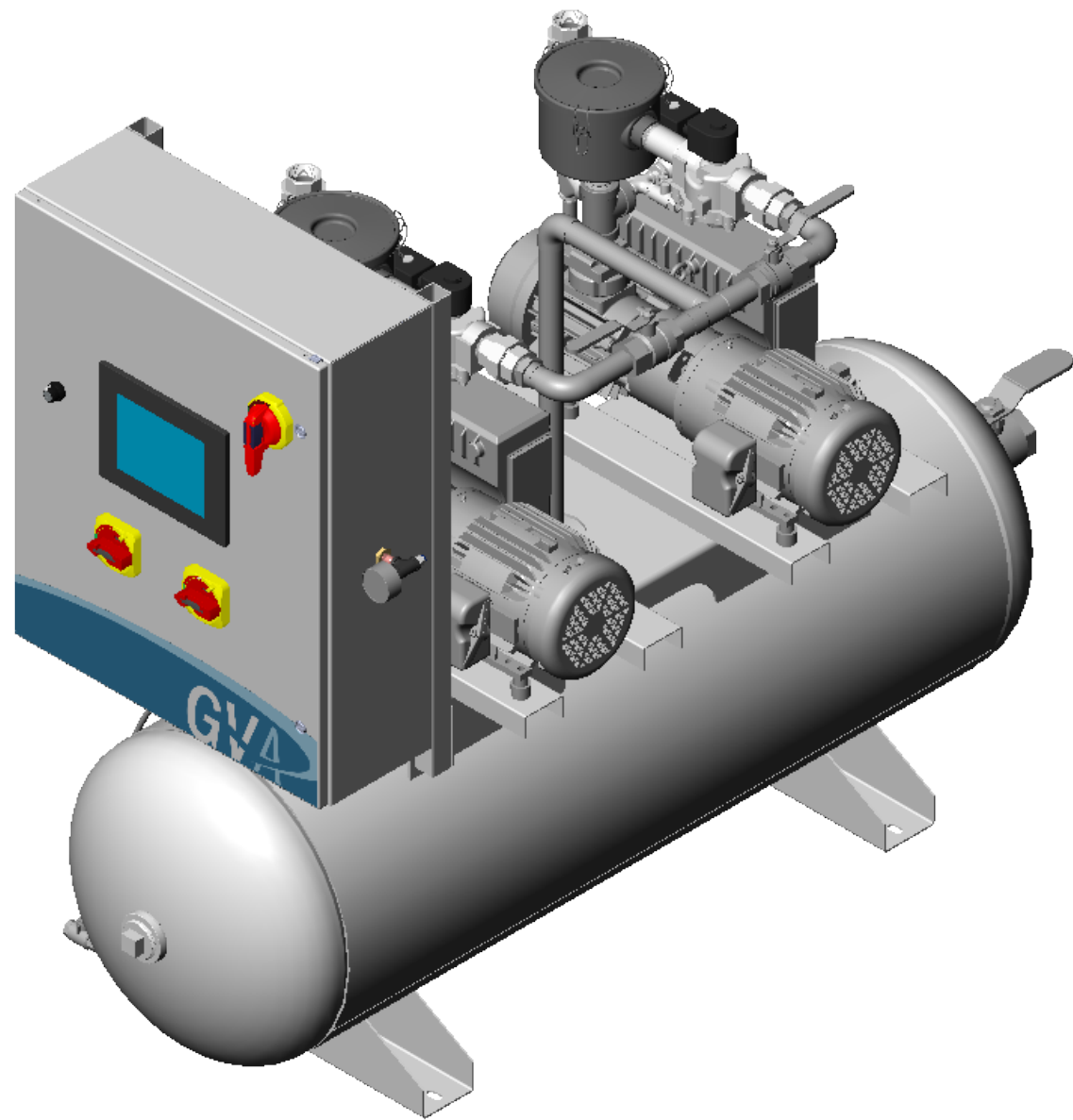
4

3

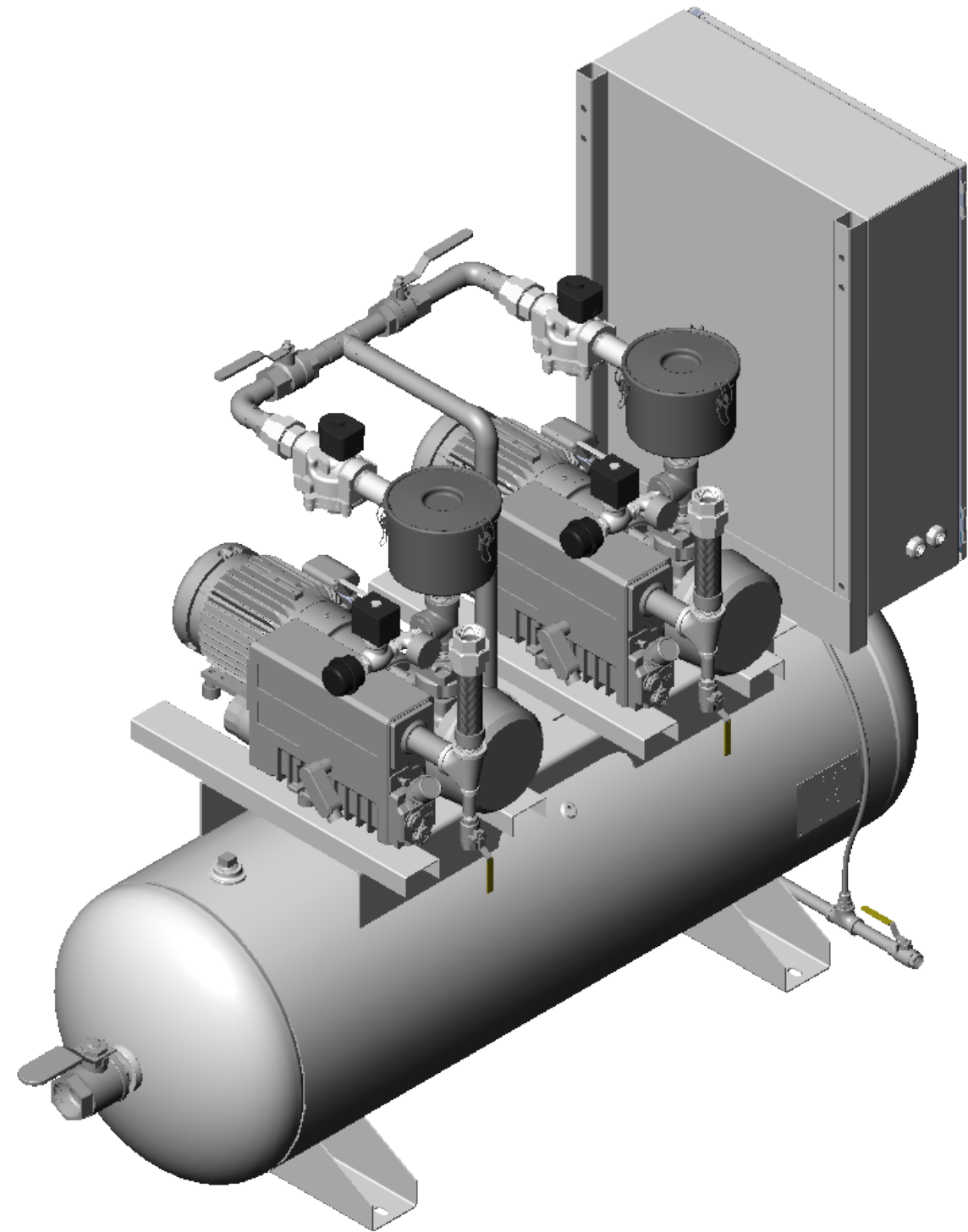
2

1

1



Isometric View (Front)



Isometric View (Back)



DESCRIPTION
Duplex 2 HP Rotary Vane
Lab Skid Assembly

DRAWN BY
SSC

DATE
11/5/2024

NOTE:
All dimensions in
Inches unless
otherwise noted

PART NO.
VR02B-XXL-08H

SCALE: 1:10

REV. SIZE
B

SHEET: 2 of 2

THIS DRAWING AND INFORMATION CONTAINED IN THIS DRAWING ARE CONFIDENTIAL PROPERTY OF AIR ENERGY GROUP. NO PART OF THIS DRAWING OR ANY INFORMATION CONTAINED IN THIS DRAWING MAY BE REPRODUCED OR TRANSFERRED WITHOUT THE WRITTEN PERMISSION OF AIR ENERGY GROUP.

6

5

4

3

2

1

1