

6

5

4

3

2

1

1

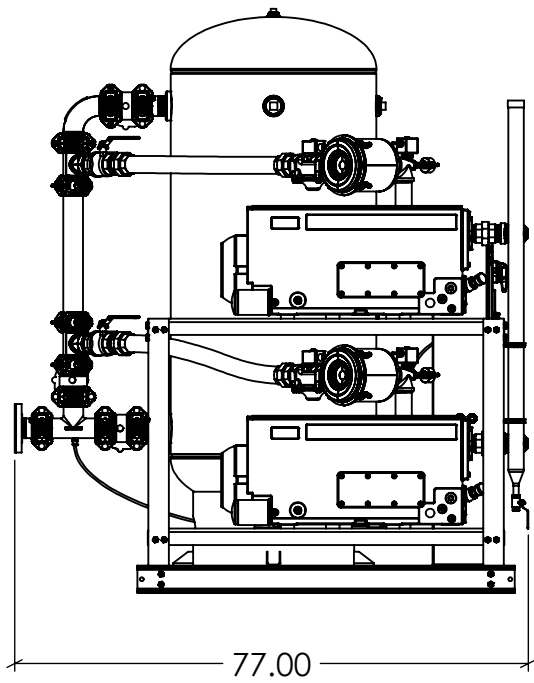
2" Discharge

1/2" Drain Valve

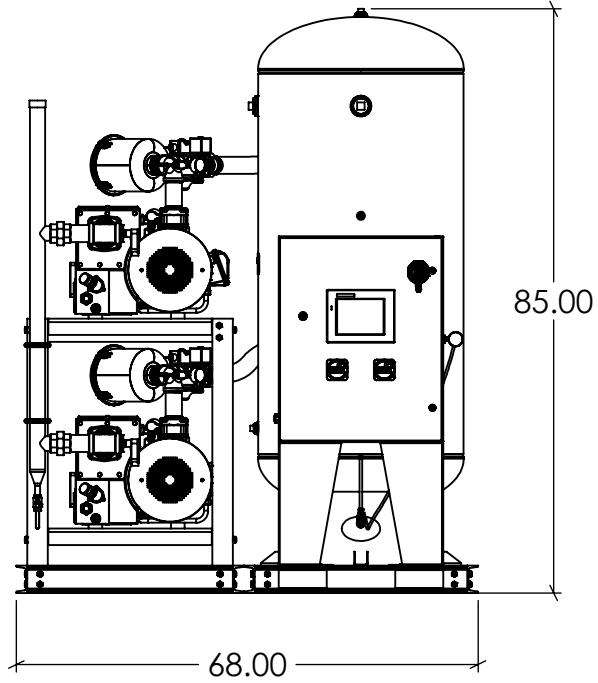
3" Inlet

Isometric View (Front)

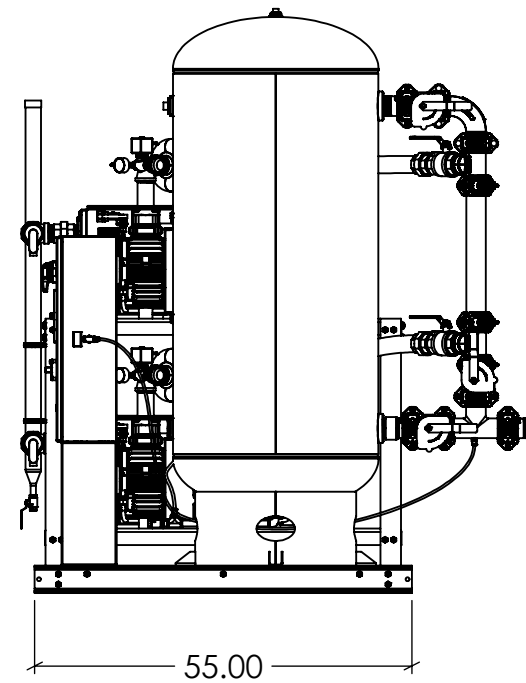
Isometric View (Back)



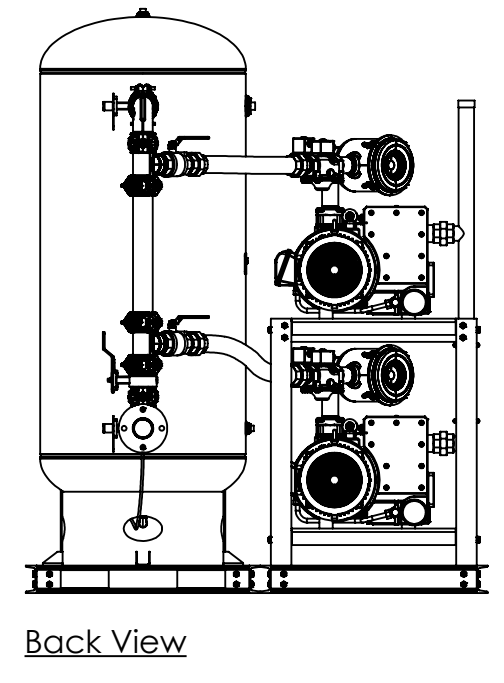
Left View



Front View



Right View



Back View



DESCRIPTION
Duplex 7 HP Rotary Vane
Lab Skid Assembly

DRAWN BY
SSC
DATE
10/1/2024

NOTE:
All dimensions in
Inches unless
otherwise noted

PART NO. VR07D-XXL-20V	REV.	SIZE B
SCALE: 1:28	SHEET: 1 of 2	

THIS DRAWING AND INFORMATION CONTAINED IN THIS DRAWING ARE CONFIDENTIAL PROPERTY OF AIR ENERGY GROUP. NO PART OF THIS DRAWING OR ANY INFORMATION CONTAINED IN THIS DRAWING MAY BE REPRODUCED OR TRANSFERRED WITHOUT THE WRITTEN PERMISSION OF AIR ENERGY GROUP.

6

5

4

3

2

1

1

6

5

4

3

2

1

1

D

D

C

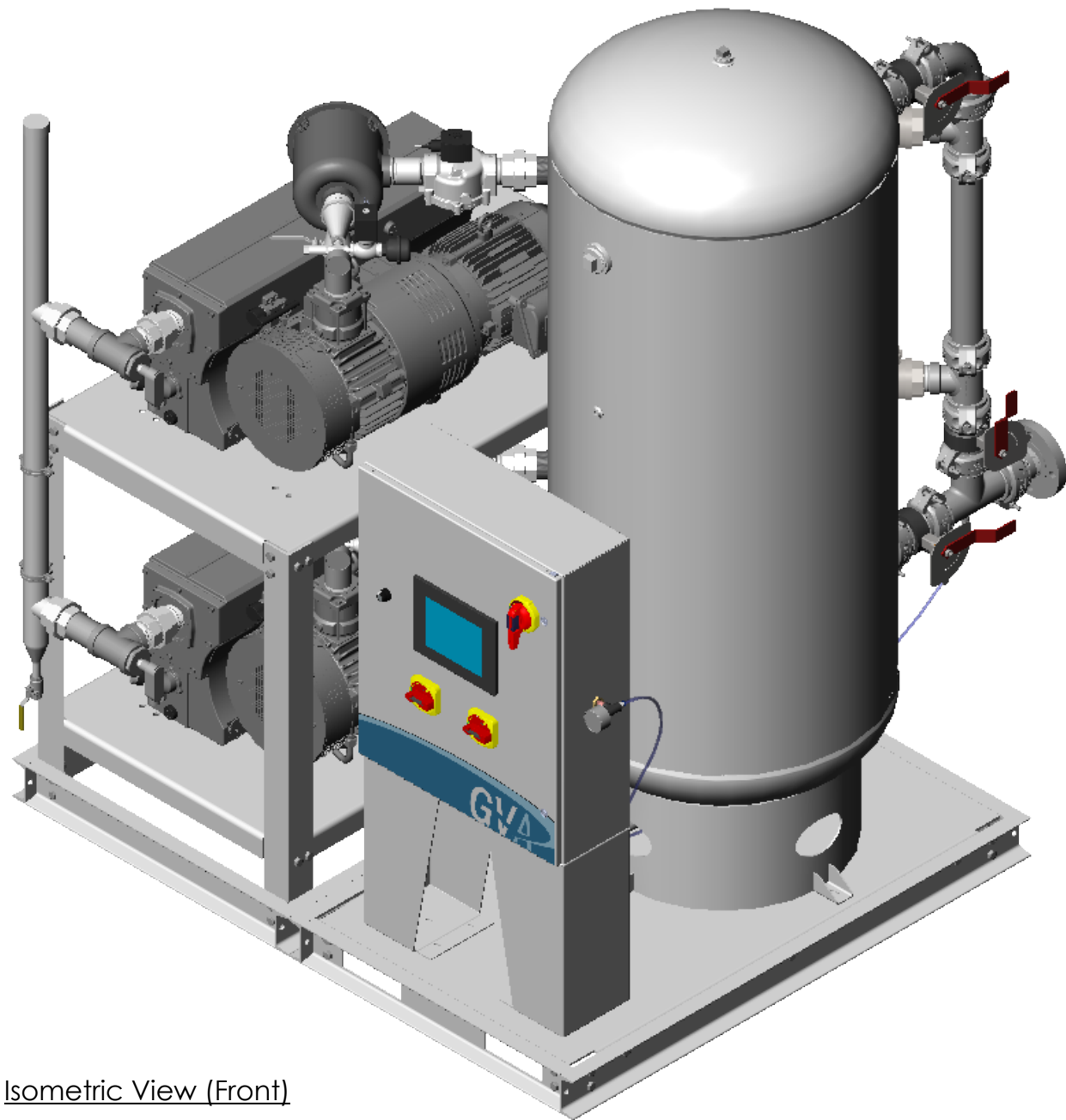
C

B

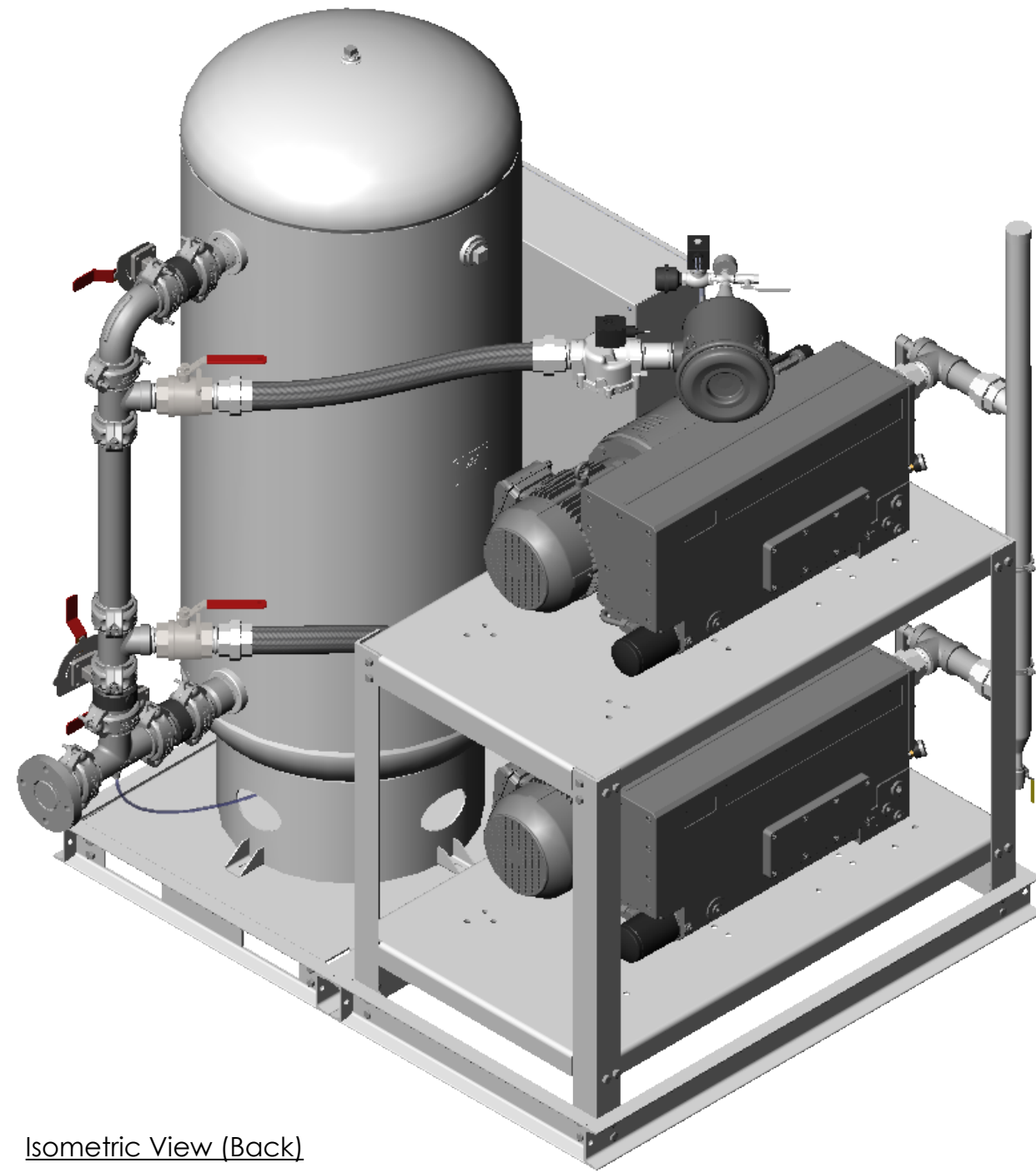
B

A

A




Isometric View (Front)



Isometric View (Back)

THIS DRAWING AND INFORMATION CONTAINED IN THIS DRAWING ARE CONFIDENTIAL PROPERTY OF AIR ENERGY GROUP. NO PART OF THIS DRAWING OR ANY INFORMATION CONTAINED IN THIS DRAWING MAY BE REPRODUCED OR TRANSFERRED WITHOUT THE WRITTEN PERMISSION OF AIR ENERGY GROUP.

		DESCRIPTION	
		Duplex 7 HP Rotary Vane Lab Skid Assembly	
DRAWN BY SSC	NOTE: All dimensions in inches unless otherwise noted	PART NO.	REV.
DATE 10/1/2024		VR07D-XXL-20V	B
		SCALE: 1:14	SHEET: 2 of 2

6

5

4

3

2

1

1