

6

5

4

3

2

1

1

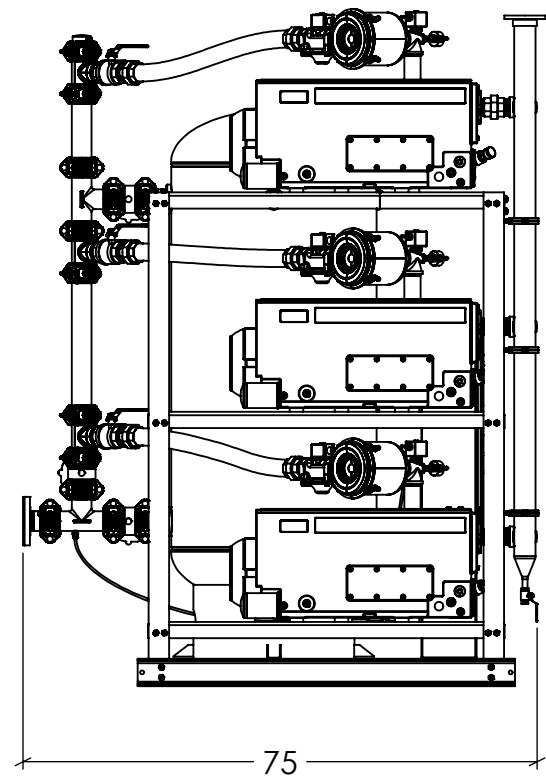
3" Discharge

1/2" Drain Valve

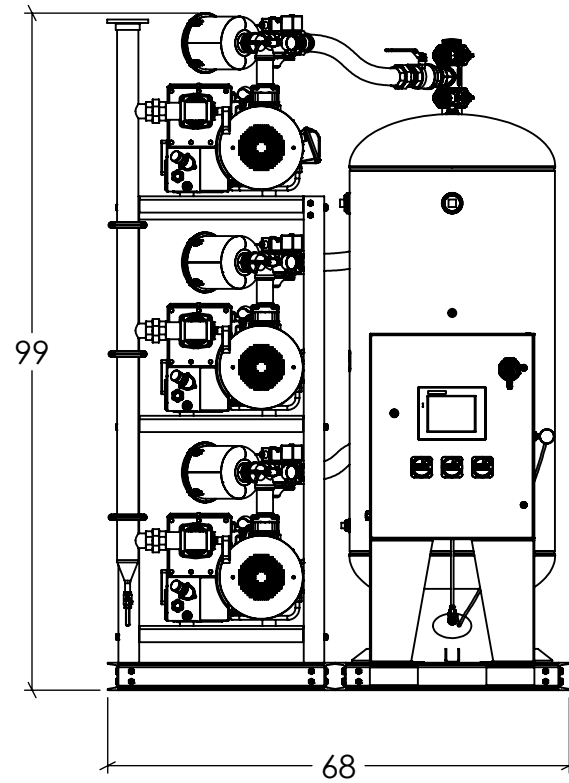
3" Inlet

Isometric View (Front)

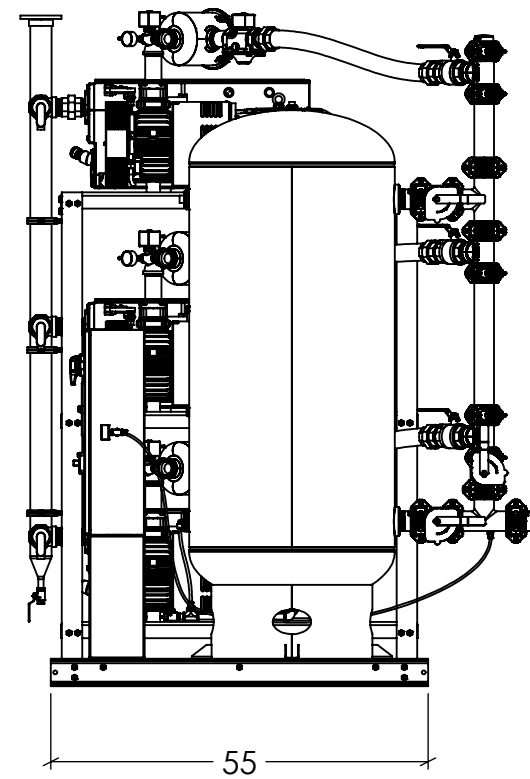
Isometric View (Back)



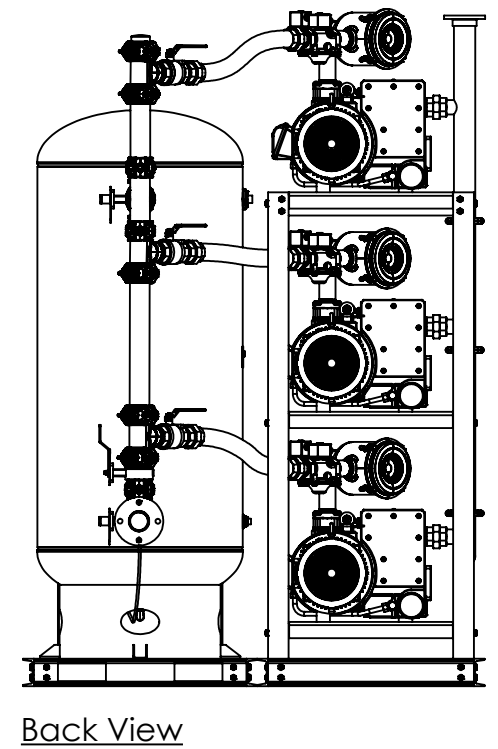
Left View



Front View



Right View



Back View



DESCRIPTION
Triplex 7 HP Rotary Vane
Lab Skid Assembly

DRAWN BY
SSC

DATE
10/30/2024

NOTE:
All dimensions in
Inches unless
otherwise noted

PART NO.
VR07T-XXL-20V

SCALE: 1:28

REV. SIZE
B

SHEET: 1 of 2

THIS DRAWING AND INFORMATION CONTAINED IN THIS DRAWING ARE CONFIDENTIAL PROPERTY OF AIR ENERGY GROUP. NO PART OF THIS DRAWING OR ANY INFORMATION CONTAINED IN THIS DRAWING MAY BE REPRODUCED OR TRANSFERRED WITHOUT THE WRITTEN PERMISSION OF AIR ENERGY GROUP.

6

5

4

3

2

1

1

6

5

4



3

2

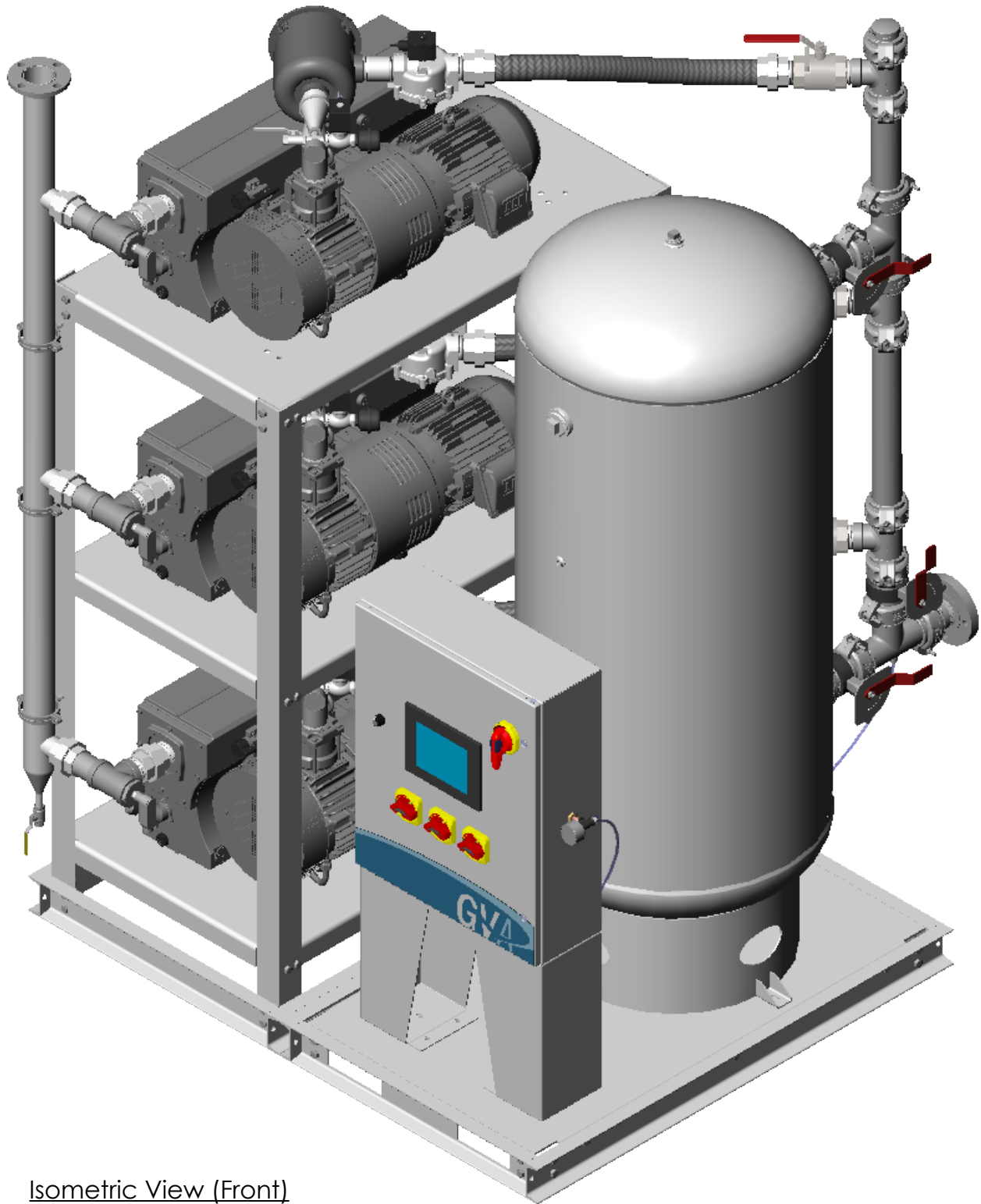
1

D

C

B

A



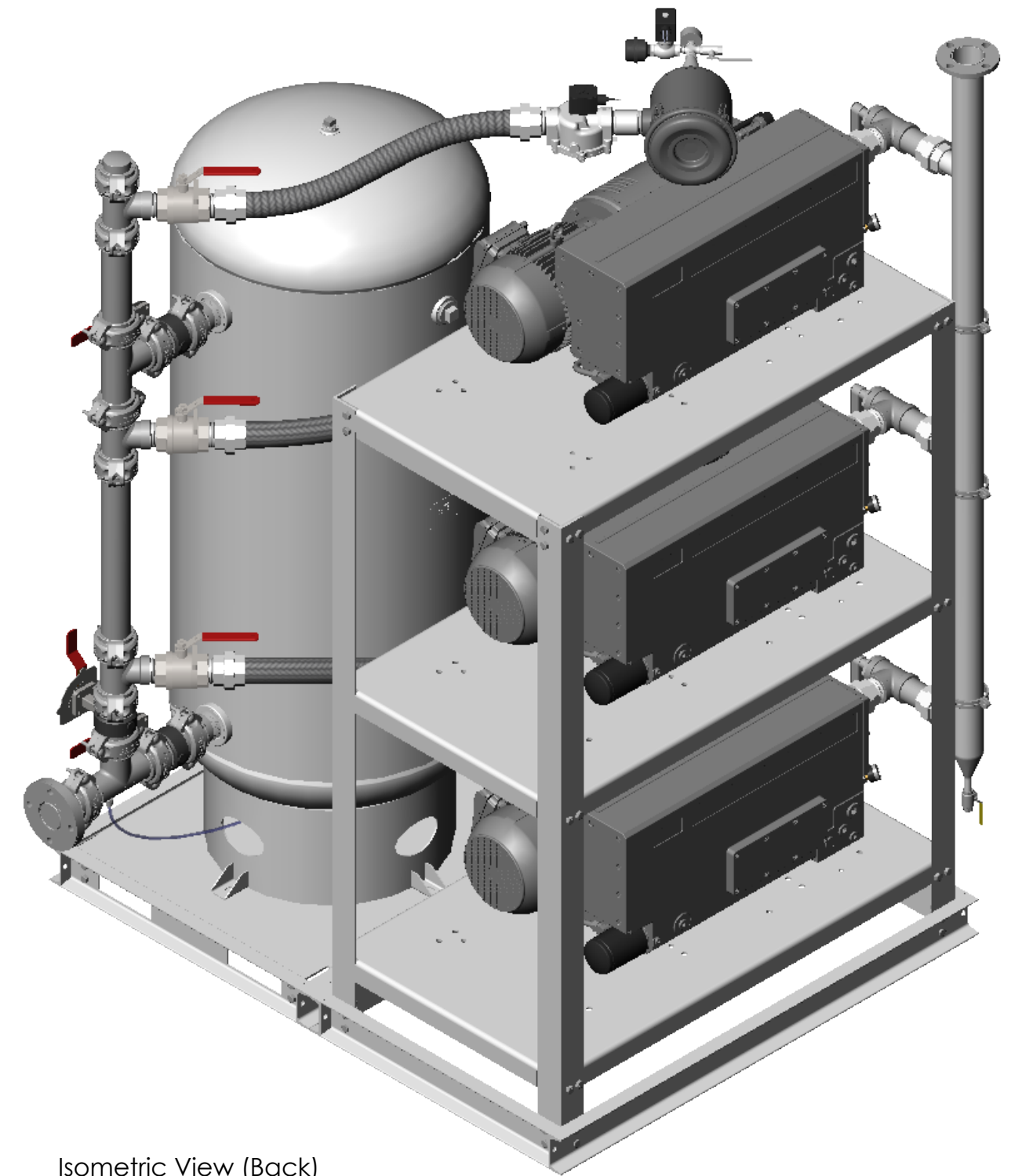
Isometric View (Front)

D

C

B

A



Isometric View (Back)

6

5

4



3

2

1



DESCRIPTION
Triplex 7 HP Rotary Vane
Lab Skid Assembly

DRAWN BY
SSC
DATE
10/30/2024

NOTE:
All dimensions in
Inches unless
otherwise noted

PART NO.
VR07T-XXL-20V

SCALE: 1:14

REV. SIZE
B

SHEET: 2 of 2

THIS DRAWING AND INFORMATION CONTAINED IN THIS DRAWING ARE CONFIDENTIAL PROPERTY OF AIR ENERGY GROUP. NO PART OF THIS DRAWING OR ANY INFORMATION CONTAINED IN THIS DRAWING MAY BE REPRODUCED OR TRANSFERRED WITHOUT THE WRITTEN PERMISSION OF AIR ENERGY GROUP.