

1

2

3

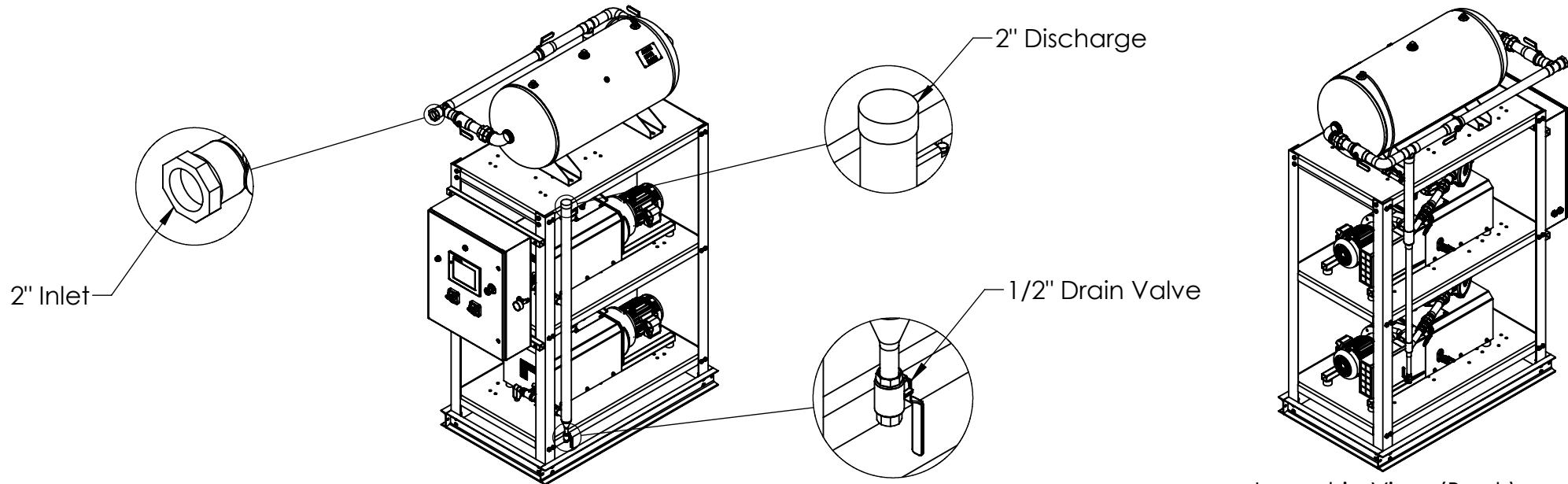
4

B

B

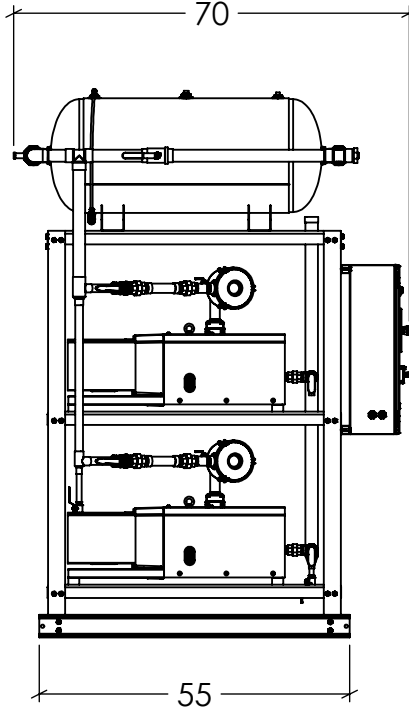
A

A

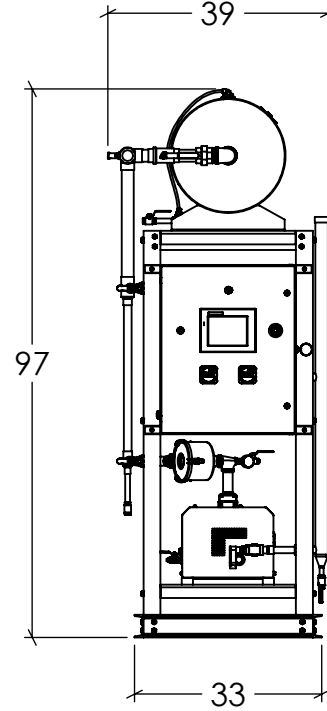


Isometric View (Front)

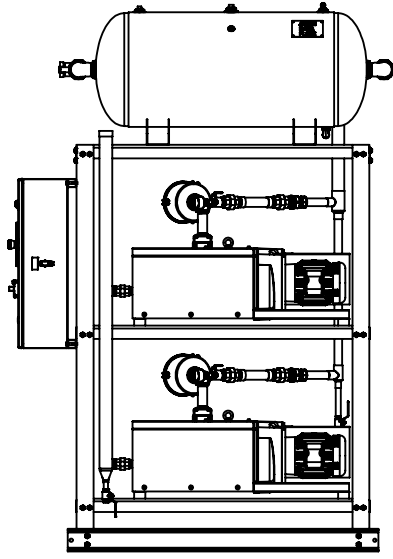
Isometric View (Back)



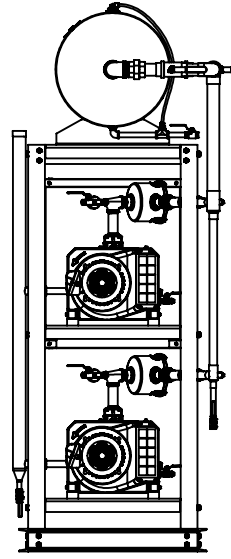
Left View



Front View



Right View



Back View

CONFIDENTIALITY NOTICE:
The information contained in this drawing is intended for use only by AIR ENERGY GROUP LLC and XXXXXXX. The information is confidential and any copying, distribution or dissemination without the written consent of National Environmental Systems is STRICTLY PROHIBITED.

DRWN BY SSC	DATE 1/22/2025
CHK BY	DATE
APPR BY	DATE

<p>105 INDUSTRIAL BLVD / BROCKTON, MA 02301 508-230-9445 (Phone) WWW.GLOBALVACANDAIR.COM</p>	
TITLE Duplex 2 HP Medical Claw Skid Assembly	
CUSTOMER SITE LOCATION	JOB NO. XX-XXX
SCALE NTS	SIZE B
DWG NO. VC02F-XXM-06H	SHEET 1 OF 2
REV --	

REV	DESCRIPTION	DATE	APPROVED
0	PRE-CONSTRUCTION / SUBMITTAL APPROVAL REQUIRED	XX/XX/XXXX	XXX

REVISIONS

1

2

3

4

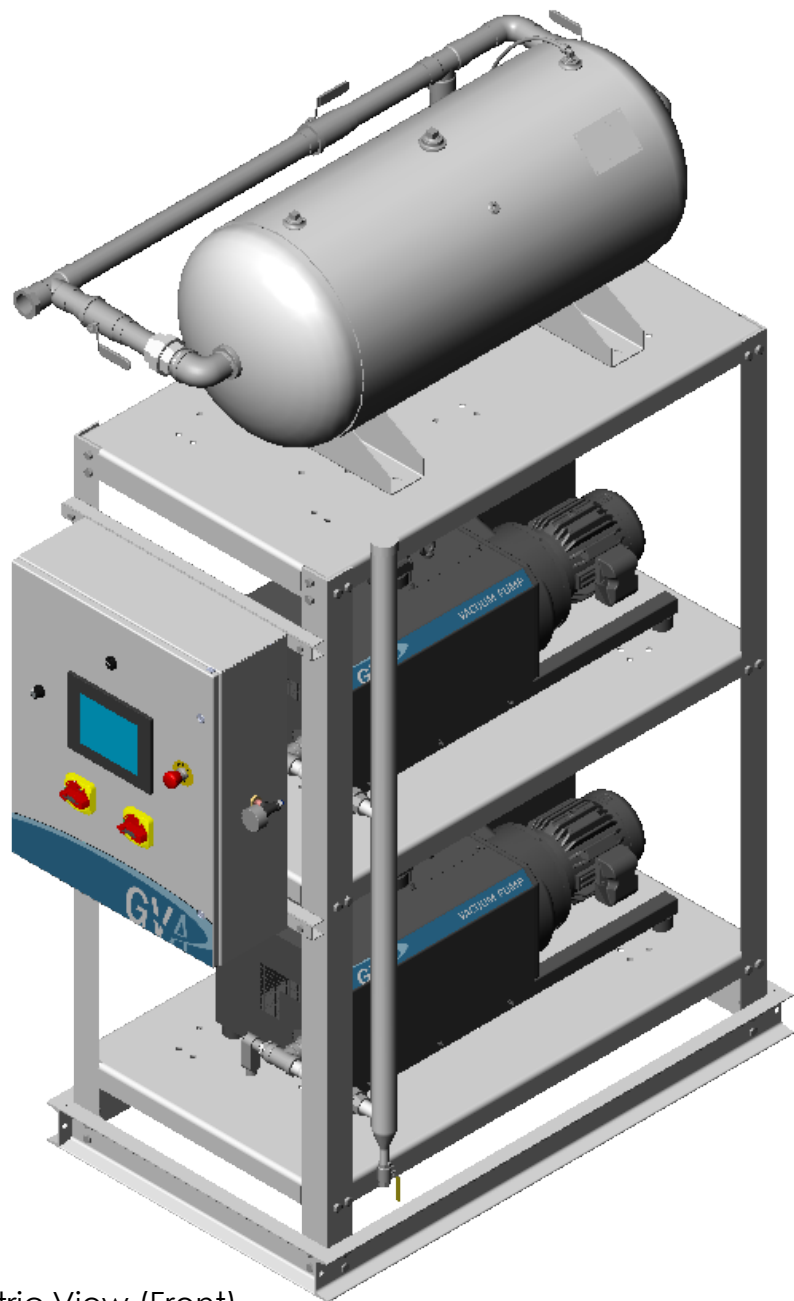


1

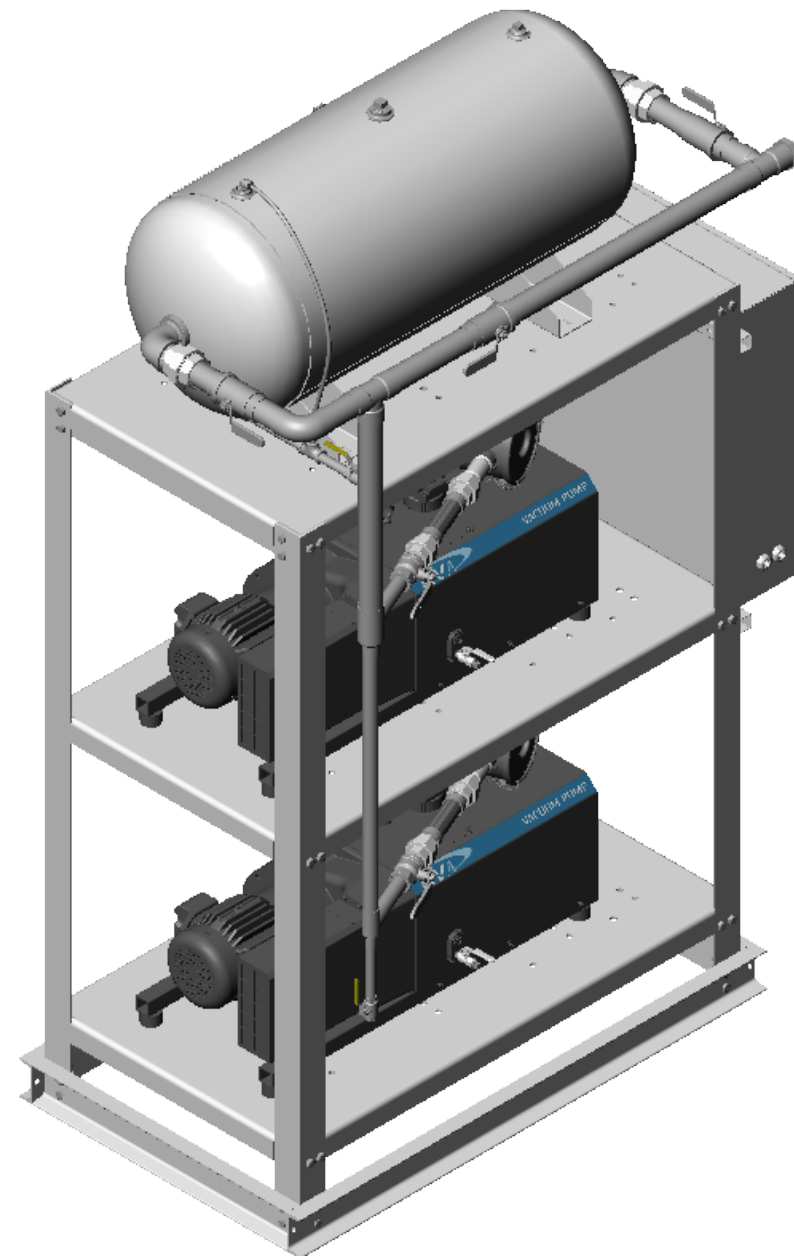
2

3

4



Isometric View (Front)



Isometric View (Back)

B


B

A

A

REV	DESCRIPTION	DATE	APPROVED
0	PRE-CONSTRUCTION / SUBMITTAL APPROVAL REQUIRED	XX/XX/XXXX	XXX
REVISIONS			

CONFIDENTIALITY NOTICE: The information contained in this drawing is intended for use only by AIR ENERGY GROUP LLC and XXXXXXX. The information is confidential and any copying, distribution or dissemination without the written consent of National Environmental Systems is STRICTLY PROHIBITED.	
DRWN BY SSC	DATE 1/22/2025
CHK BY	DATE
APPR BY	DATE

 GLOBALVAC & AIR 105 INDUSTRIAL BLVD / BROCKTON, MA 02301 508-230-9445 (Phone) WWW.GLOBALVACANDAIR.COM		TITLE Duplex 2 HP Medical Claw Skid Assembly		
		CUSTOMER SITE LOCATION	JOB NO. XX-XXX	
SCALE NTS	SIZE B	DWG NO. VC02F-XXM-06H	SHEET 2 OF 2	REV --

1

2

3

4