

1

2

3

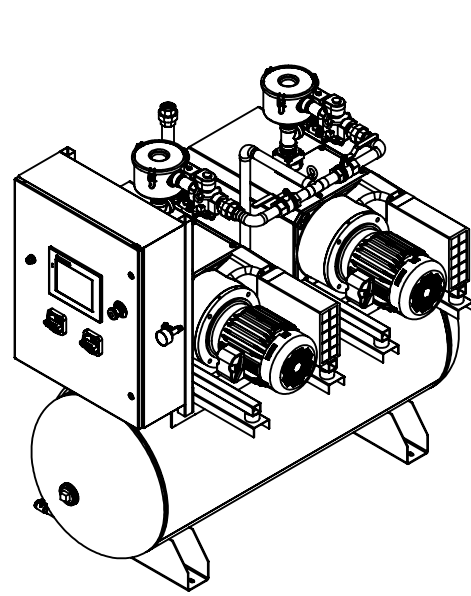
4

B

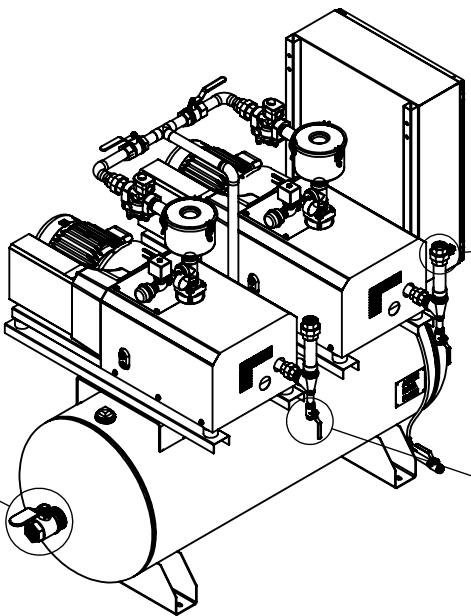
B

A

A



Isometric View (Front)

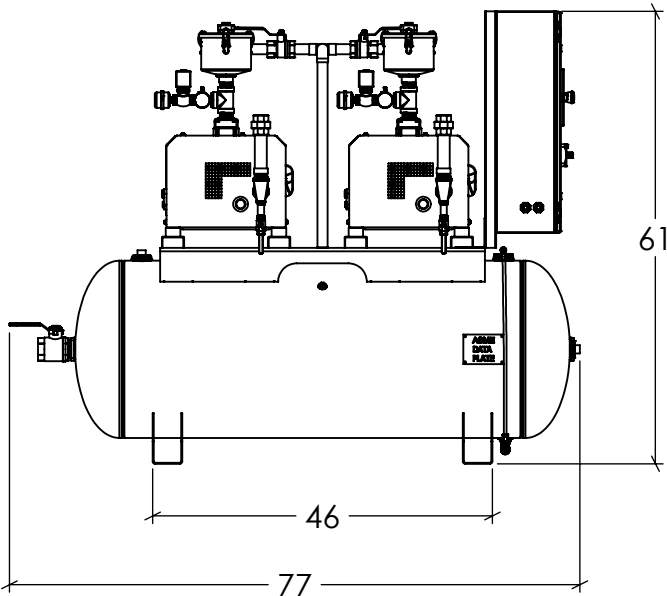


Isometric View (Back)

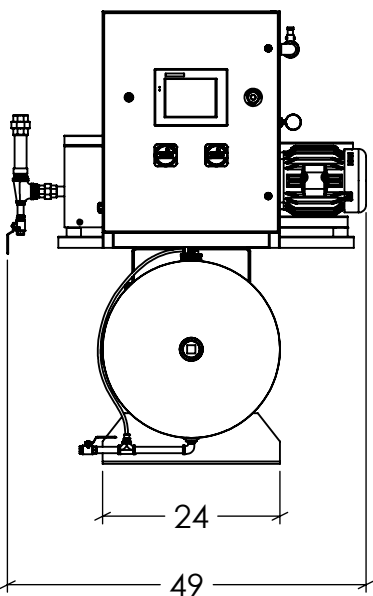
1 1/4" Discharge

1/2" Drain Valve

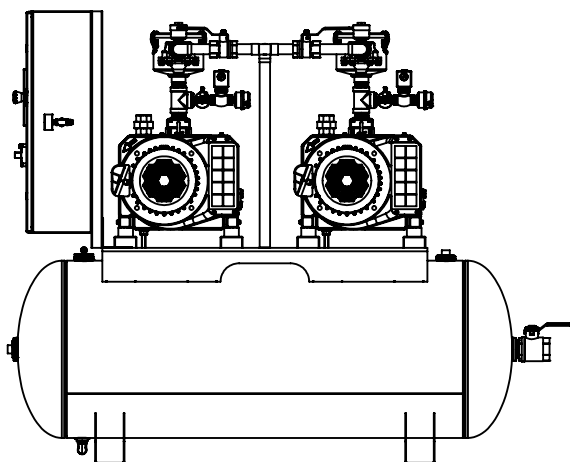
2" Inlet



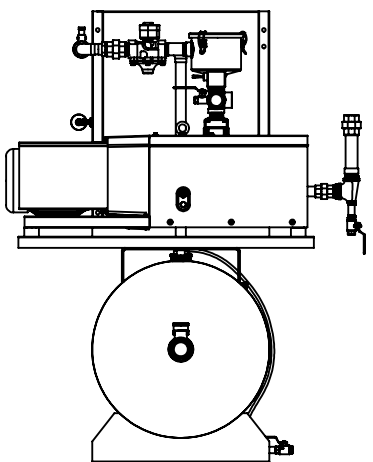
Left View



Front View



Right View



Back View

CONFIDENTIALITY NOTICE:
 The information contained in this drawing is intended for use only by AIR ENERGY GROUP LLC and XXXXXXX. The information is confidential and any copying, distribution or dissemination without the written consent of National Environmental Systems is STRICTLY PROHIBITED.

GVA GLOBALVAC & AIR
 105 INDUSTRIAL BLVD / BROCKTON, MA 02301
 508-230-9445 (Phone)
 WWW.GLOBALVACANDAIR.COM

DRWN BY SSC DATE 12/19/2024
 CHK BY DATE
 APPR BY DATE

TITLE Duplex 5 HP Lab Claw Skid Assembly
 CUSTOMER SITE LOCATION JOB NO. XX-XXX
 SCALE NTS SIZE B DWG NO. VC05B-XXL-12H SHEET 1 OF 2 REV --

REV	DESCRIPTION	DATE	APPROVED
0	PRE-CONSTRUCTION / SUBMITTAL APPROVAL REQUIRED	XX/XX/XXXX	XXX
REVISIONS			

1

2

3

4

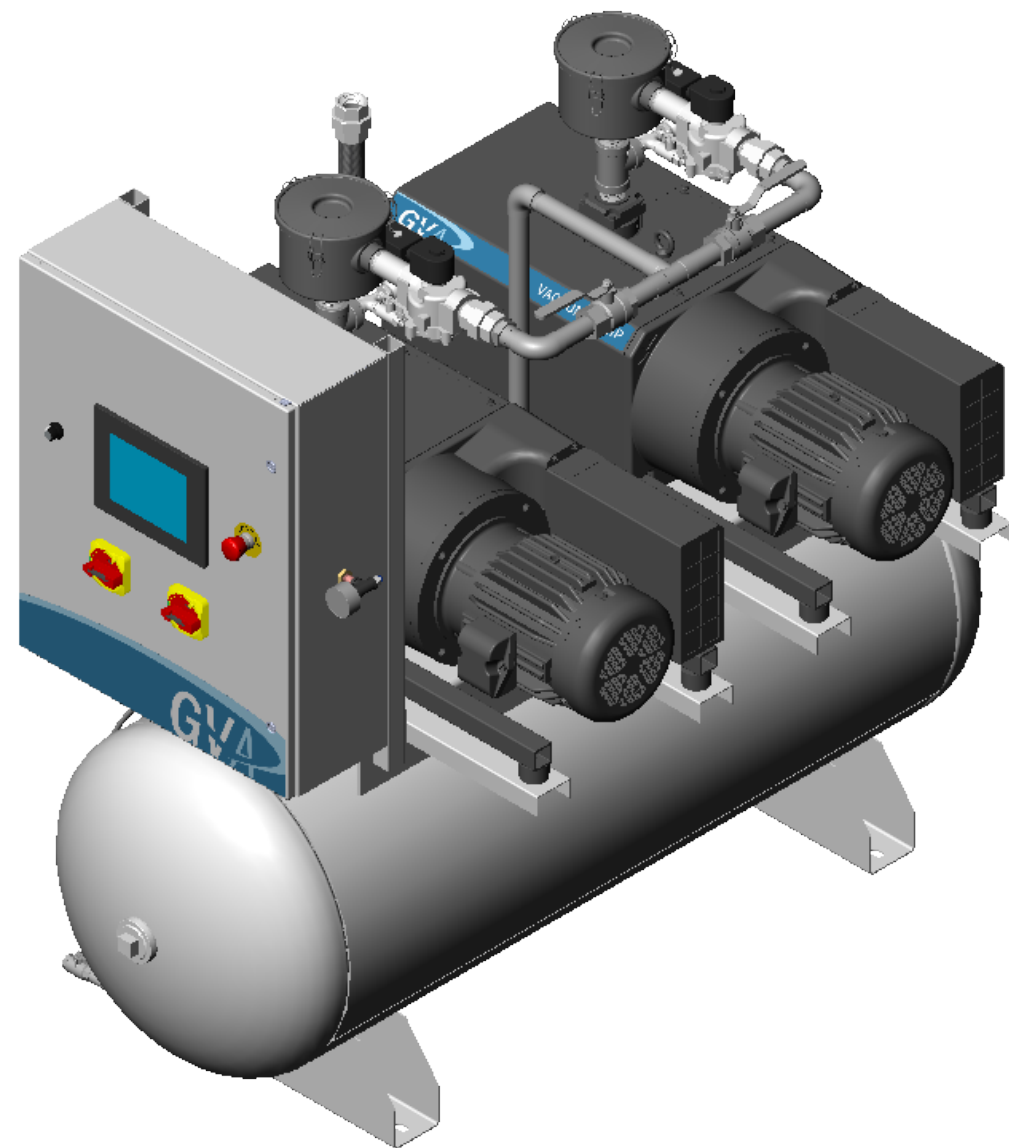


1

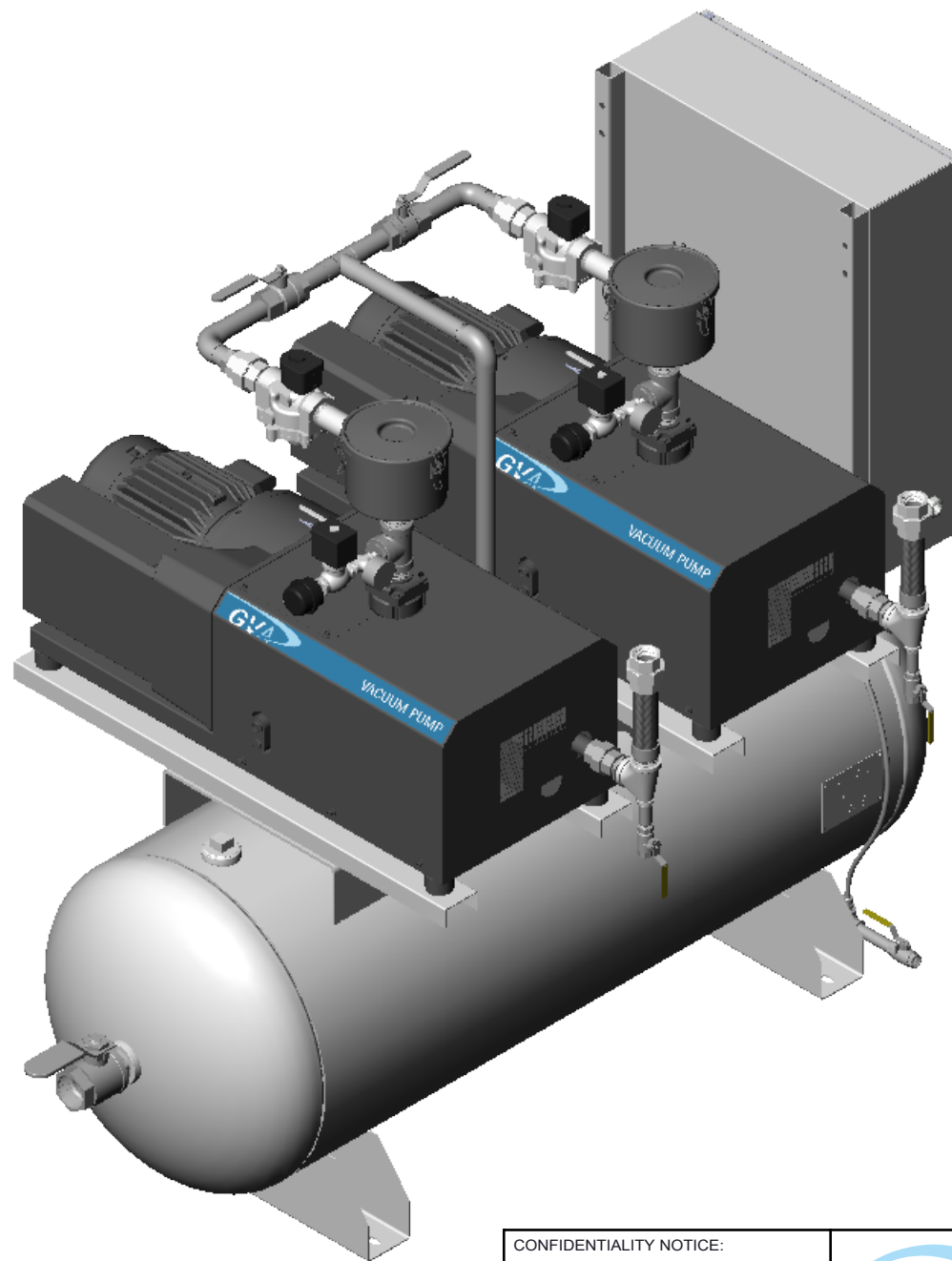
2

3

4




Isometric View (Front)



Isometric View (Back)

REV	DESCRIPTION	DATE	APPROVED
0	PRE-CONSTRUCTION / SUBMITTAL APPROVAL REQUIRED	XX/XX/XXXX	XXX
REVISIONS			

CONFIDENTIALITY NOTICE: The information contained in this drawing is intended for use only by AIR ENERGY GROUP LLC and XXXXXXX. The information is confidential and any copying, distribution or dissemination without the written consent of National Environmental Systems is STRICTLY PROHIBITED.	
DRWN BY SSC	DATE 12/19/2024
CHK BY	DATE
APPR BY	DATE

 GLOBALVAC & AIR 105 INDUSTRIAL BLVD / BROCKTON, MA 02301 508-230-9445 (Phone) WWW.GLOBALVACANDAIR.COM	
TITLE Duplex 5 HP Lab Claw Skid Assembly	
CUSTOMER SITE LOCATION	JOB NO. XX-XXX
SCALE NTS	SIZE B
DWG NO. VC05B-XXL-12H	SHEET 2 OF 2
REV --	

1

2

3

4

B

B

A

A