

6

5

4

3

3

2

1

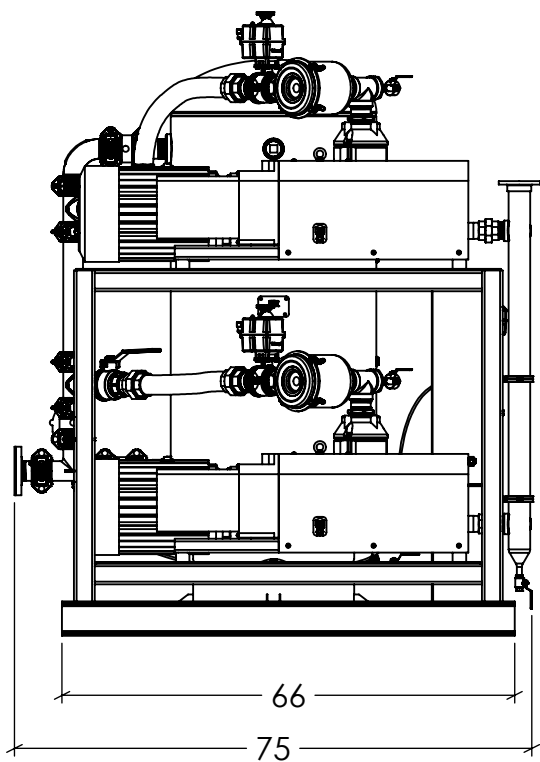
3" Discharge

1/2" Drain Valve

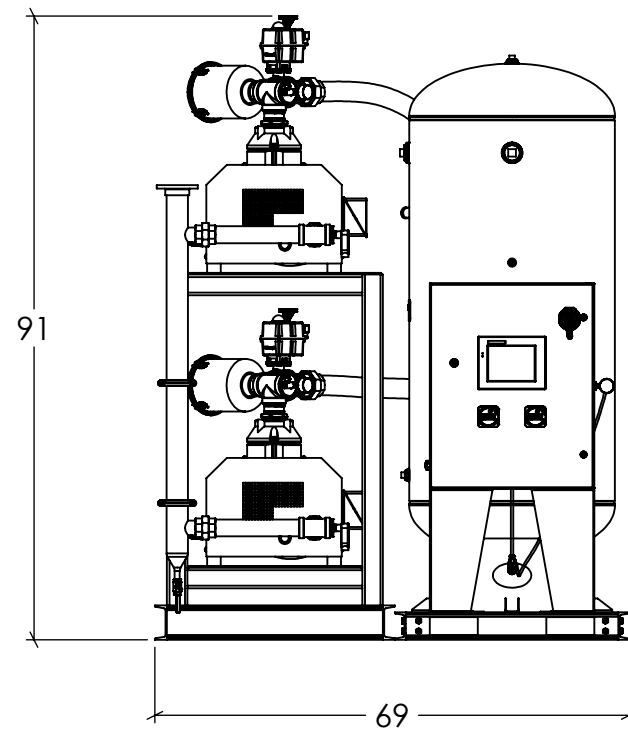
3" Inlet

Isometric View (Front)

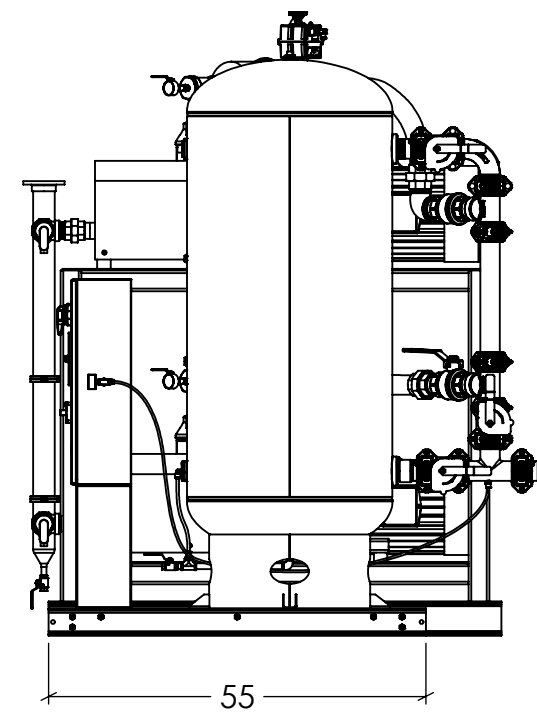
Isometric View (Back)



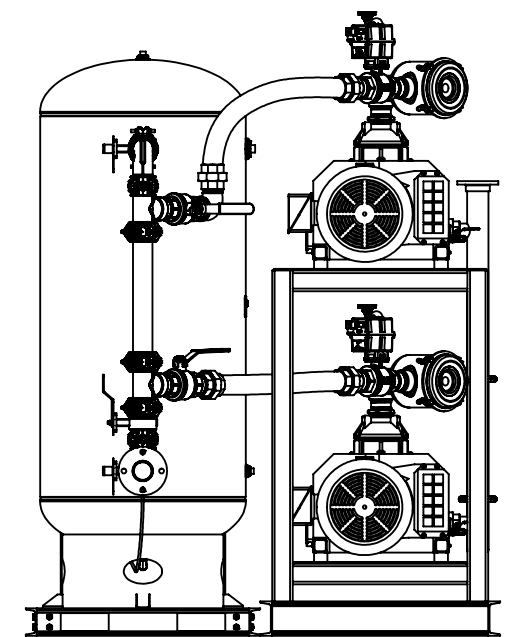
Left View



Front View



Right View



Back View



DESCRIPTION
Duplex 15 HP Lab Claw
Skid Assembly

PART NO.
VC15D-XXL-20V

SCALE: 1:28

DRAWN BY
SSC

DATE
11/26/2024

NOTE:
All dimensions in
Inches unless
otherwise noted

REV. SIZE
B

SHEET: 1 of 2

THIS DRAWING AND INFORMATION CONTAINED IN THIS DRAWING ARE CONFIDENTIAL PROPERTY OF AIR ENERGY GROUP. NO PART OF THIS DRAWING OR ANY INFORMATION CONTAINED IN THIS DRAWING MAY BE REPRODUCED OR TRANSFERRED WITHOUT THE WRITTEN PERMISSION OF AIR ENERGY GROUP.

6

5

4

3

3

2

1

6

5

4

3

2

1

6

D

D

C

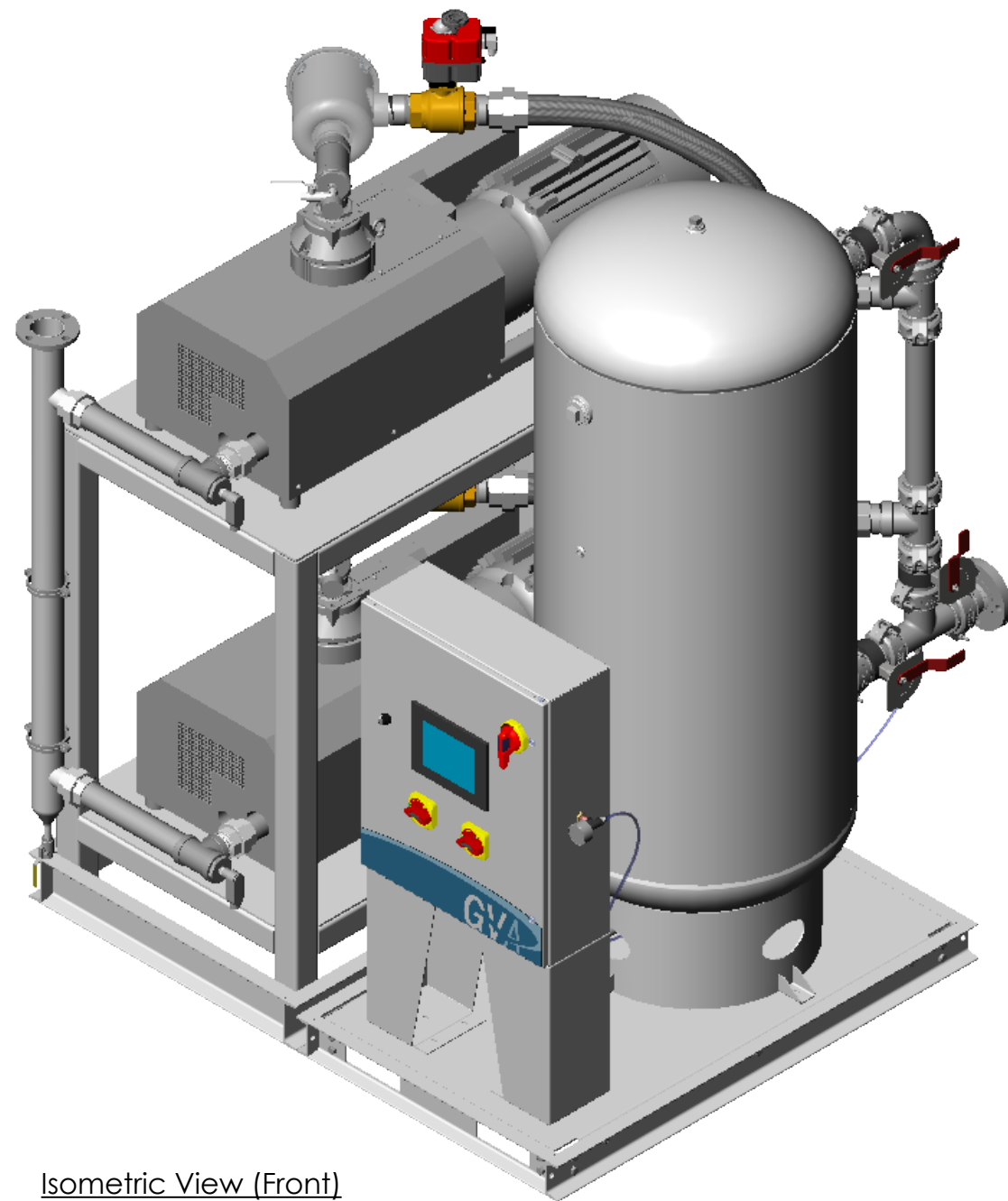
C

B

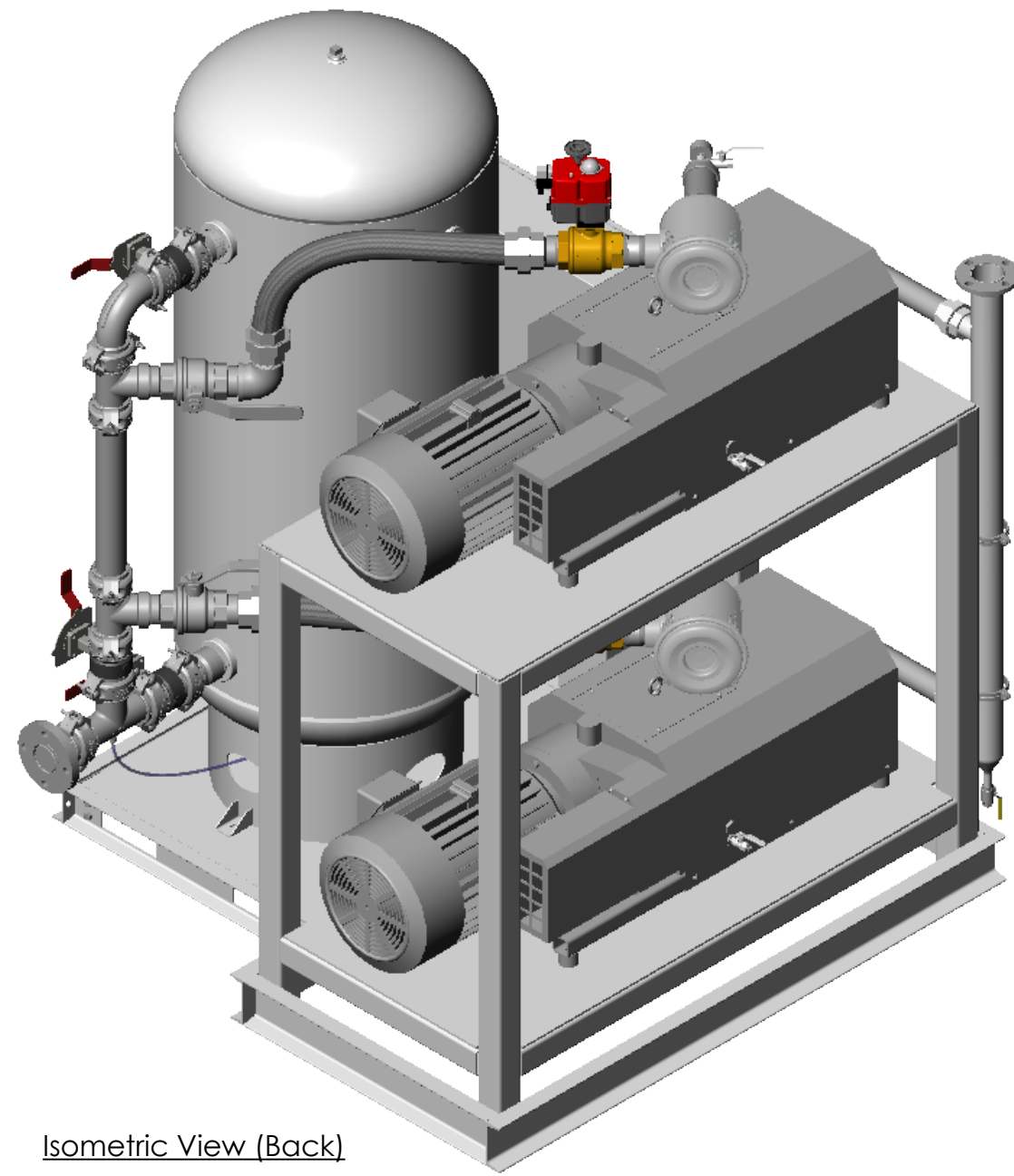
B

A

A




Isometric View (Front)



Isometric View (Back)

THIS DRAWING AND INFORMATION CONTAINED IN THIS DRAWING ARE CONFIDENTIAL PROPERTY OF AIR ENERGY GROUP. NO PART OF THIS DRAWING OR ANY INFORMATION CONTAINED IN THIS DRAWING MAY BE REPRODUCED OR TRANSFERRED WITHOUT THE WRITTEN PERMISSION OF AIR ENERGY GROUP.

		DESCRIPTION Duplex 15 HP Lab Claw Skid Assembly		
		PART NO. VC15D-XXL-20V	REV.	SIZE B
DRAWN BY SSC	NOTE: All dimensions in inches unless otherwise noted	SCALE: 1:16		SHEET: 2 of 2
DATE 11/26/2024				

6

5

4

3

2

1

6