

1

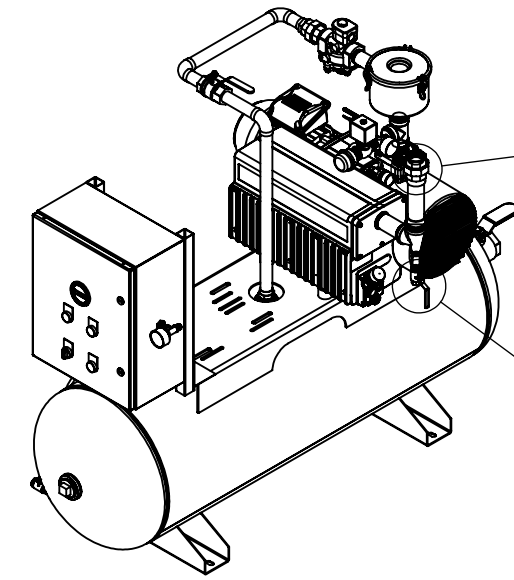
2

3

4

B

B

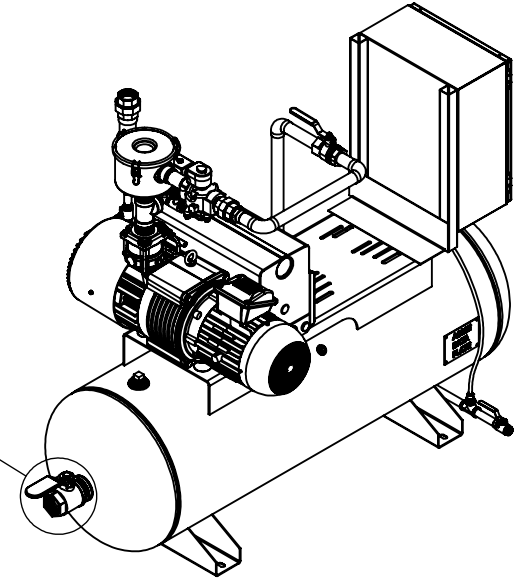


Isometric View (Front)

1 1/2" Exhaust

2" Inlet

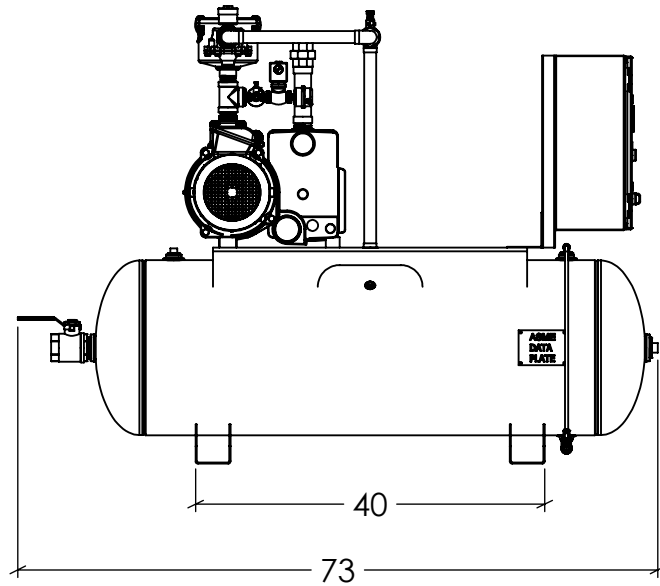
1/2" Drain Valve



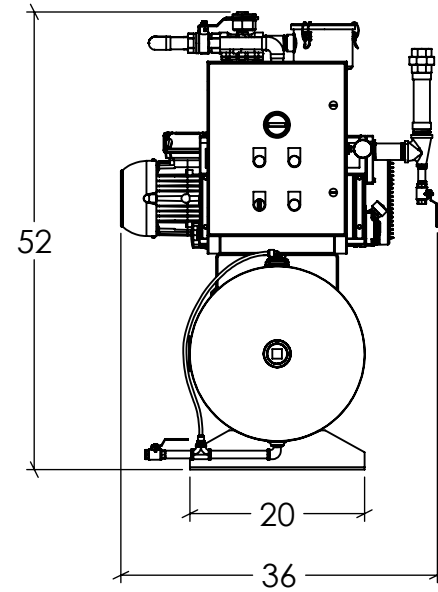
Isometric View (Back)

A

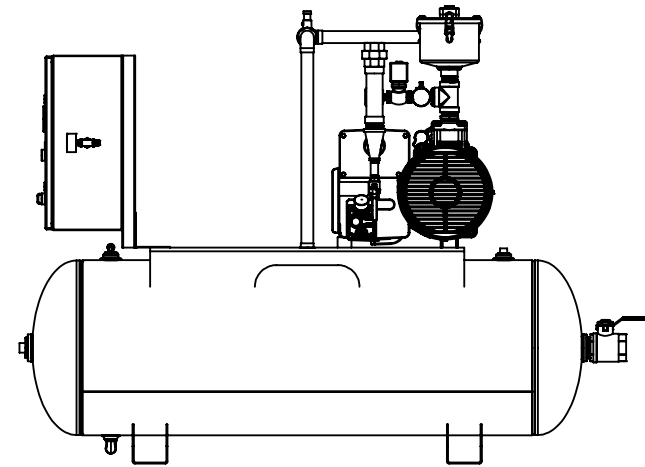
A



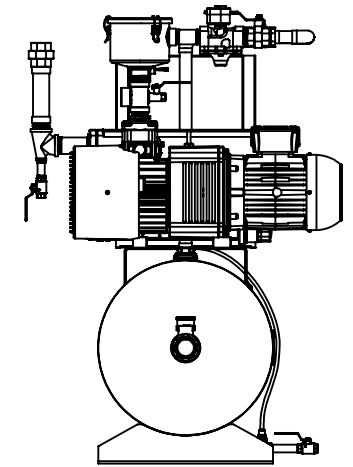
Left View



Front View



Right View



Back View

1

2

3

4

A

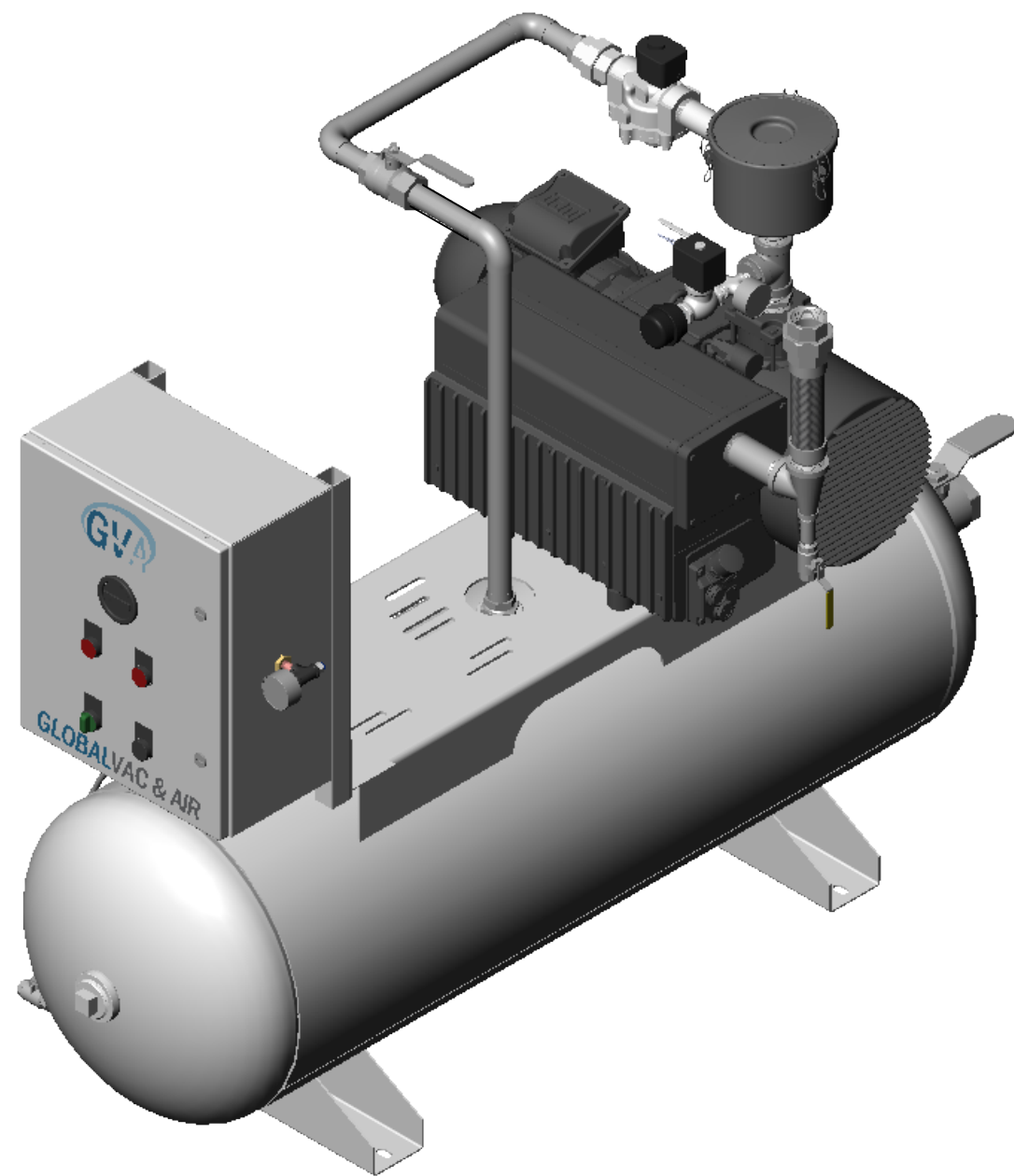
A

CONFIDENTIALITY NOTICE:  
The information contained in this drawing is intended for use only by AIR ENERGY GROUP LLC and XXXXXX. The information is confidential and any copying, distribution or dissemination without the written consent of National Environmental Systems is STRICTLY PROHIBITED.

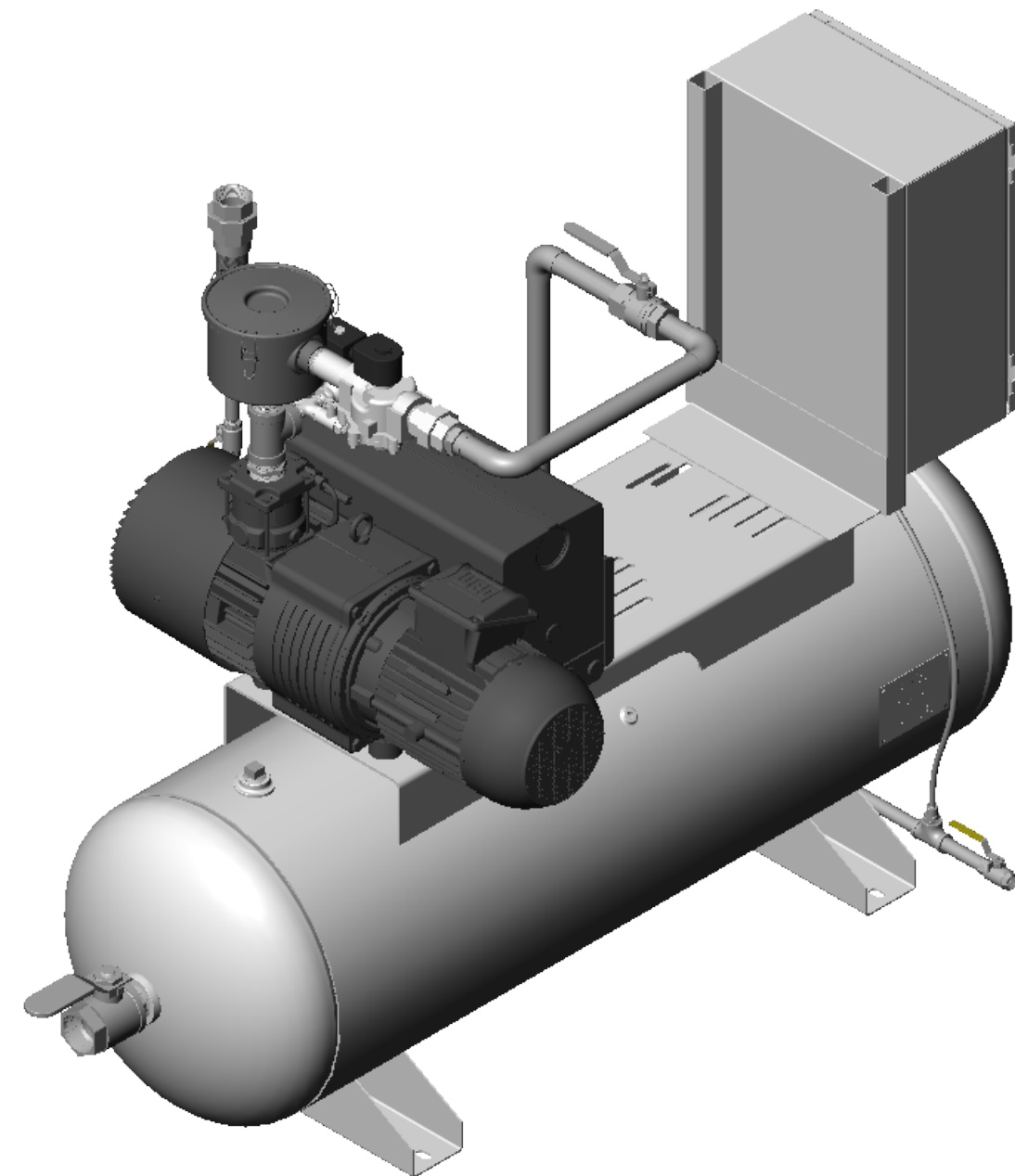
DRWN BY SSC	DATE 12/17/2024
CHK BY	DATE
APPR BY	DATE

<p>105 INDUSTRIAL BLVD / BROCKTON, MA 02301 508-230-9445 (Phone) WWW.GLOBALVACANDAIR.COM</p>	
TITLE Simplex 5 HP Rotary Vane Lab Skid Assembly	
CUSTOMER SITE LOCATION	JOB NO. XX-XXX
SCALE NTS	SIZE B
DWG NO. VR05A-XXL-08H	SHEET 1 OF 2
REV --	

REV	DESCRIPTION	DATE	APPROVED
0	PRE-CONSTRUCTION / SUBMITTAL APPROVAL REQUIRED	XX/XX/XXXX	XXX
REVISIONS			




Isometric View (Front)



Isometric View (Back)

REV	DESCRIPTION	DATE	APPROVED
0	PRE-CONSTRUCTION / SUBMITTAL APPROVAL REQUIRED	XX/XX/XXXX	XXX
REVISIONS			

CONFIDENTIALITY NOTICE: The information contained in this drawing is intended for use only by AIR ENERGY GROUP LLC and XXXXXXX. The information is confidential and any copying, distribution or dissemination without the written consent of National Environmental Systems is STRICTLY PROHIBITED.		 105 INDUSTRIAL BLVD / BROCKTON, MA 02301 508-230-9445 (Phone) WWW.GLOBALVACANDAIR.COM			
DRWN BY SSC DATE 12/17/2024		TITLE <b>Simplex 5 HP Rotary Vane Lab Skid Assembly</b>			
CHK BY DATE		CUSTOMER SITE LOCATION		JOB NO. XX-XXX	
APPR BY DATE		SCALE NTS	SIZE B	DWG NO. VR05A-XXL-08H	SHEET 2 OF 2
				REV --	