

6

5

4

3

3

2

1

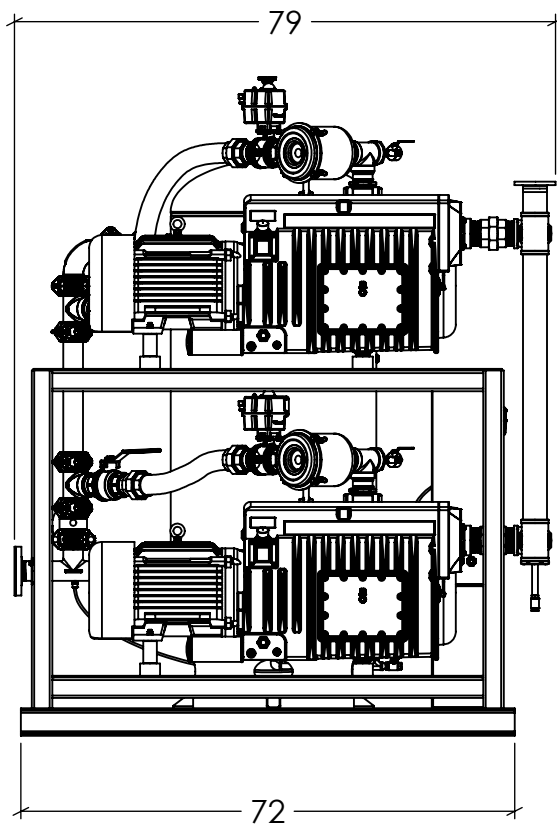
3" Discharge

1/2" Drain Valve

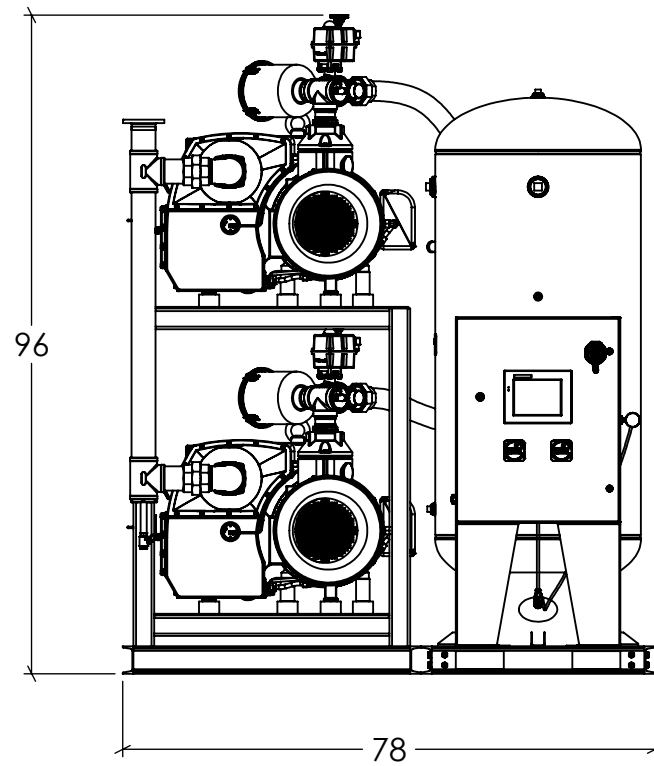
3" Inlet

Isometric View (Front)

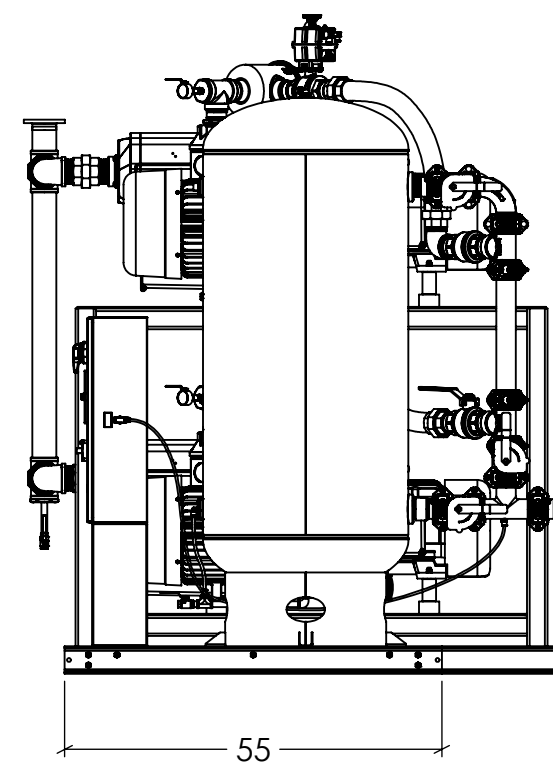
Isometric View (Back)



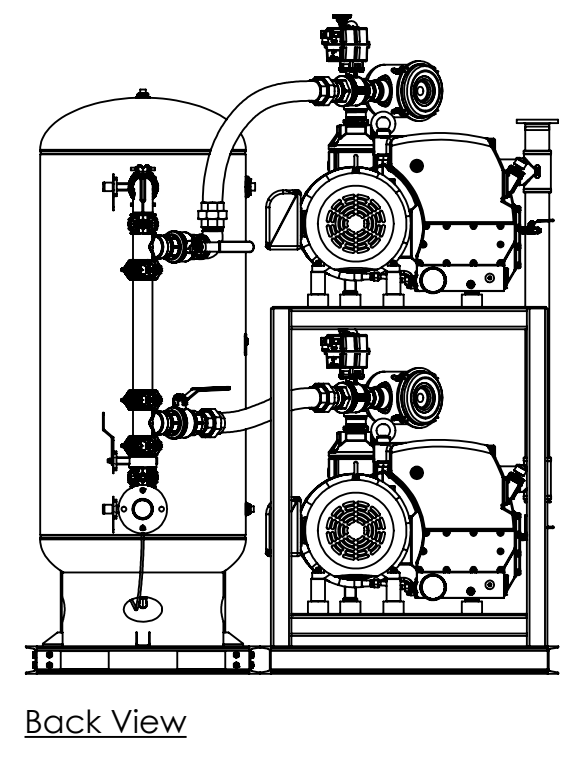
Left View



Front View



Right View



Back View

THIS DRAWING AND INFORMATION CONTAINED IN THIS DRAWING ARE CONFIDENTIAL PROPERTY OF AIR ENERGY GROUP. NO PART OF THIS DRAWING OR ANY INFORMATION CONTAINED IN THIS DRAWING MAY BE REPRODUCED OR TRANSFERRED WITHOUT THE WRITTEN PERMISSION OF AIR ENERGY GROUP.

DRAWN BY
SSC
DATE
11/26/2024

NOTE:
All dimensions in
Inches unless
otherwise noted

DESCRIPTION
Duplex 15 HP Rotary Vane
Lab Skid Assembly

PART NO.
VR15D-XXL-20V

SCALE: 1:28

REV. SIZE
B

SHEET: 1 of 2

6

5

4

3

3

2

1

6

5

4

3

2

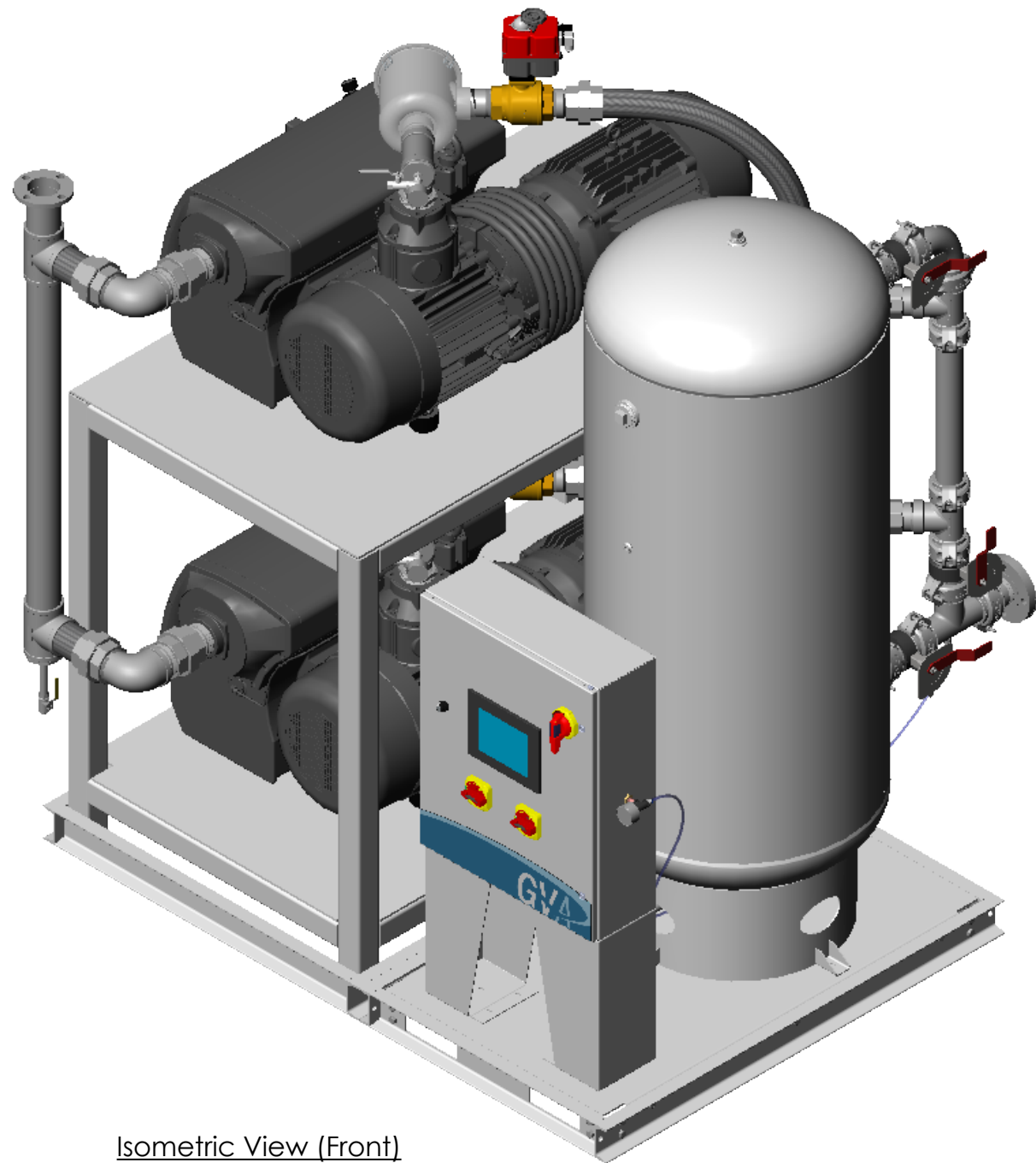
1

D

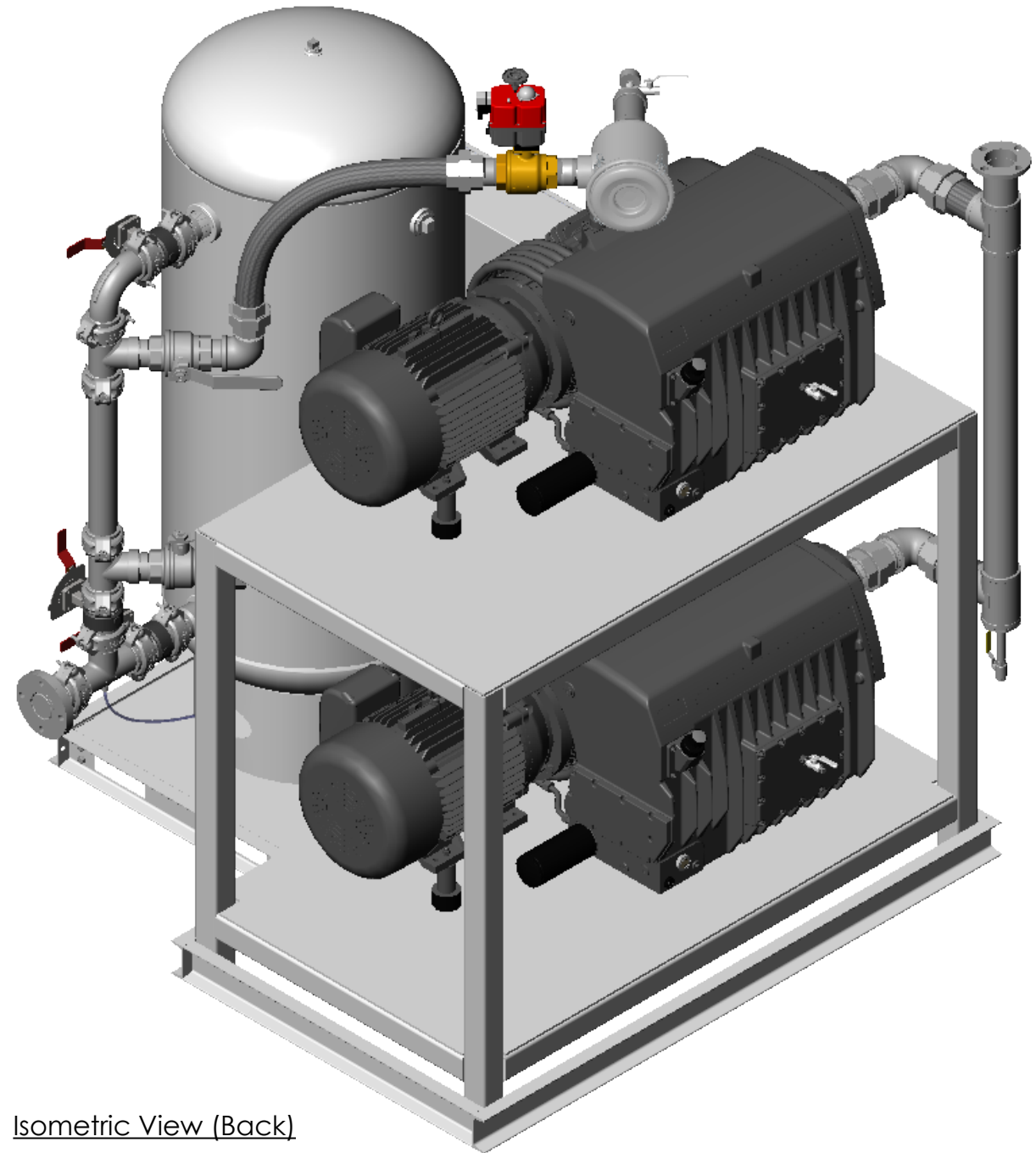
C

B

A



Isometric View (Front)



Isometric View (Back)

6

5

4

3

2

1

D

C

B

A

THIS DRAWING AND INFORMATION CONTAINED IN THIS DRAWING ARE CONFIDENTIAL PROPERTY OF AIR ENERGY GROUP. NO PART OF THIS DRAWING OR ANY INFORMATION CONTAINED IN THIS DRAWING MAY BE REPRODUCED OR TRANSFERRED WITHOUT THE WRITTEN PERMISSION OF AIR ENERGY GROUP.

		DESCRIPTION	
		Duplex 15 HP Rotary Vane Lab Skid Assembly	
DRAWN BY SSC	NOTE: All dimensions in inches unless otherwise noted	PART NO.	REV.
DATE 11/26/2024		VR15D-XXL-20V	B
		SCALE: 1:16	SHEET: 2 of 2