

1

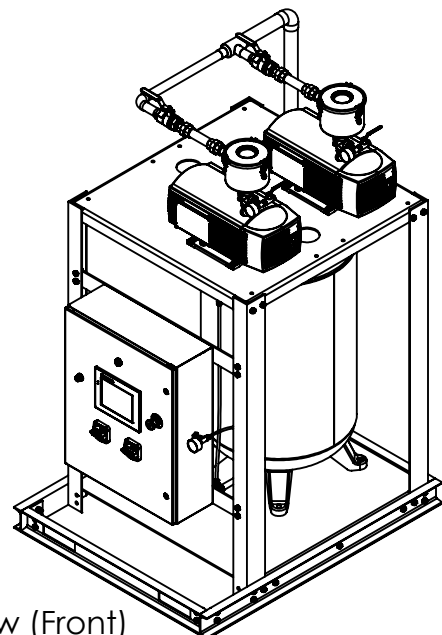
2

3

4

B

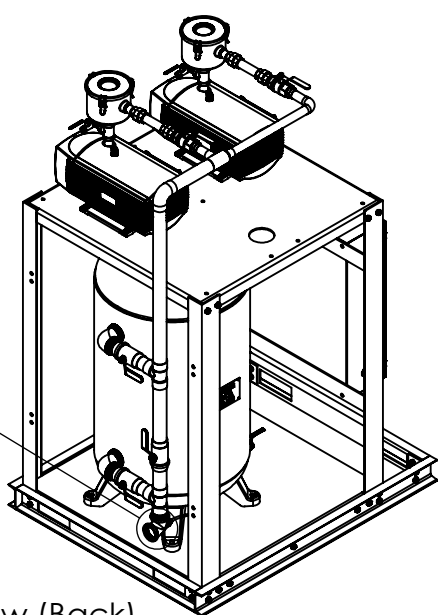
B



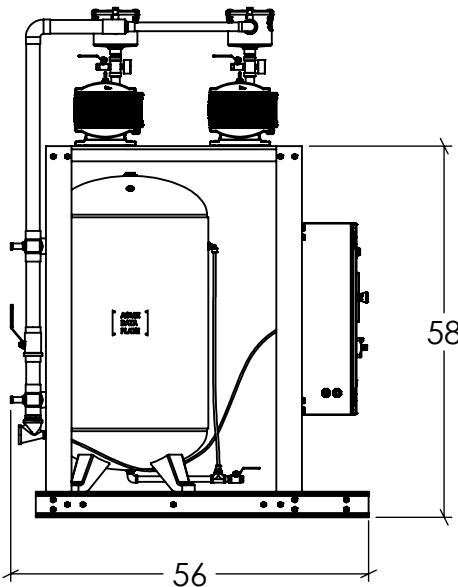
Isometric View (Front)



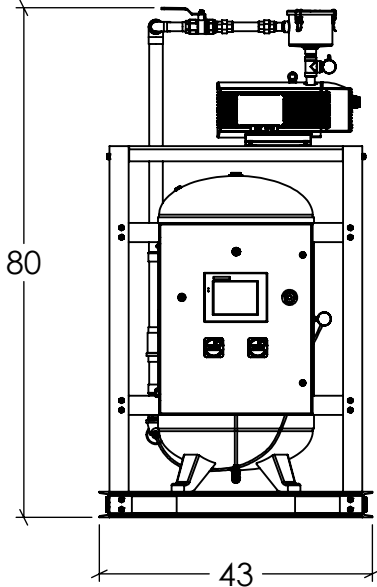
2" Inlet



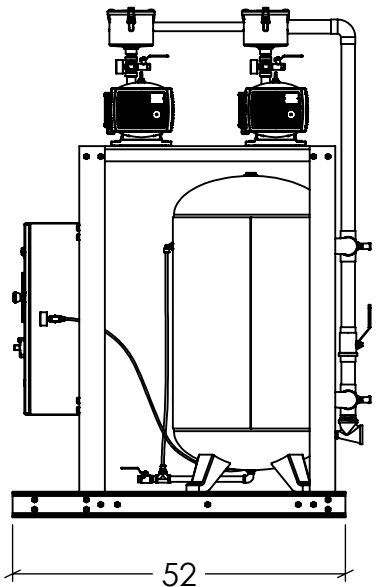
Isometric View (Back)



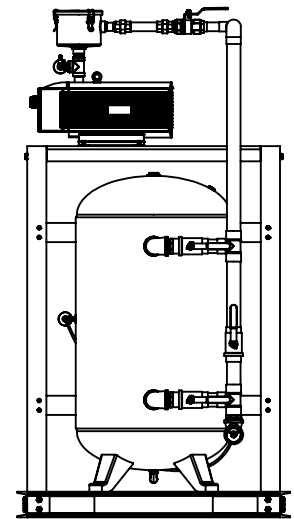
Left View



Front View



Right View



Back View

A

A

CONFIDENTIALITY NOTICE:  
 The information contained in this drawing is intended for use only by AIR ENERGY GROUP LLC and XXXXXXX. The information is confidential and any copying, distribution or dissemination without the written consent of National Environmental Systems is STRICTLY PROHIBITED.

**GVA GLOBALVAC & AIR**  
 105 INDUSTRIAL BLVD / BROCKTON, MA 02301  
 508-230-9445 (Phone)  
 WWW.GLOBALVACANDAIR.COM

DRWN BY SSC	DATE 1/9/2025
CHK BY	DATE
APPR BY	DATE

TITLE Duplex 2 HP Rotary Vane Medical Skid Assembly	
CUSTOMER SITE LOCATION	JOB NO. XX-XXX
SCALE NTS	SIZE B
DWG NO. VV02F-XXM-08V	SHEET 1 OF 2
REV --	

REV	DESCRIPTION	DATE	APPROVED
0	PRE-CONSTRUCTION / SUBMITTAL APPROVAL REQUIRED	XX/XX/XXXX	XXX

1

2

3

4

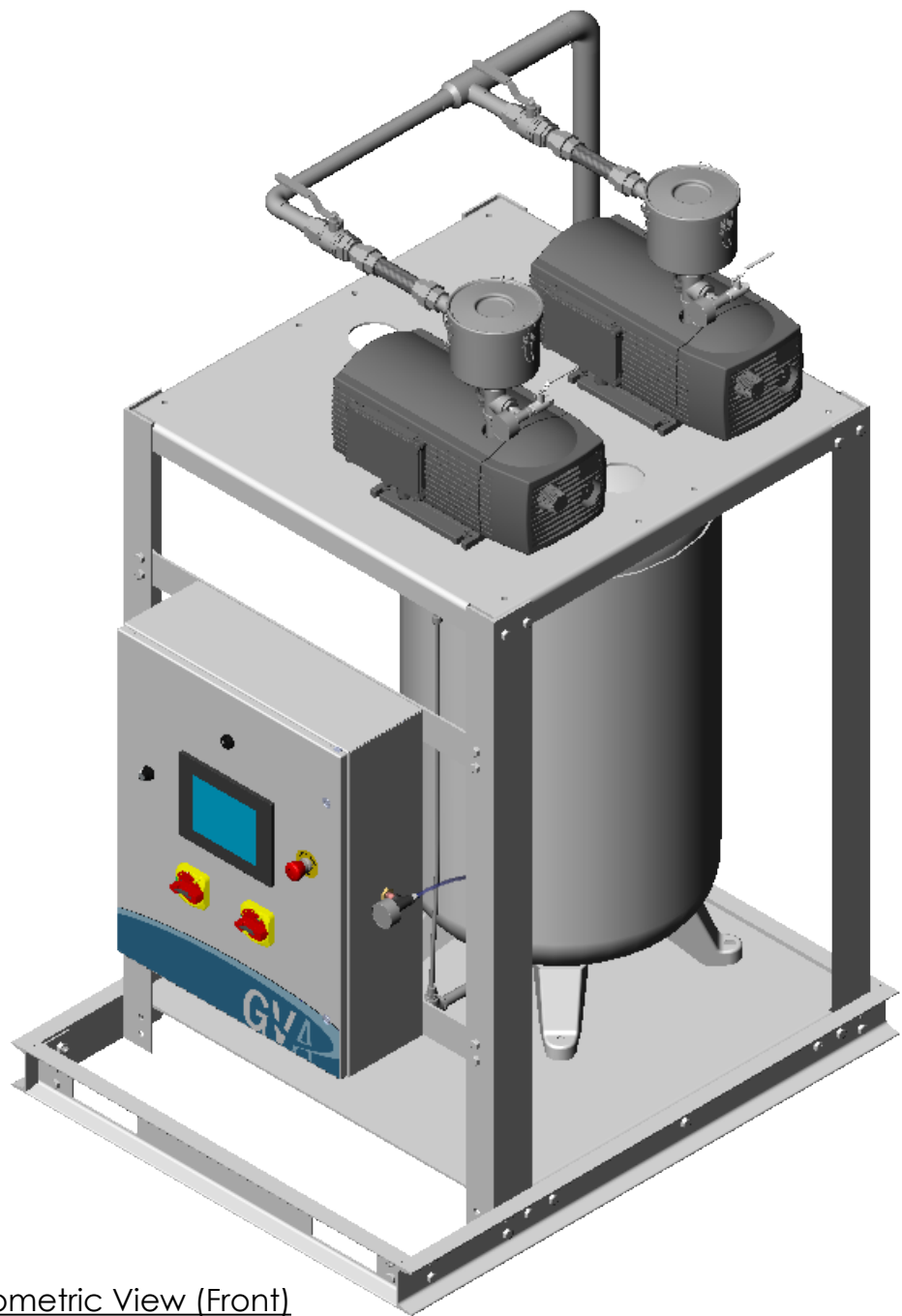
↑

1

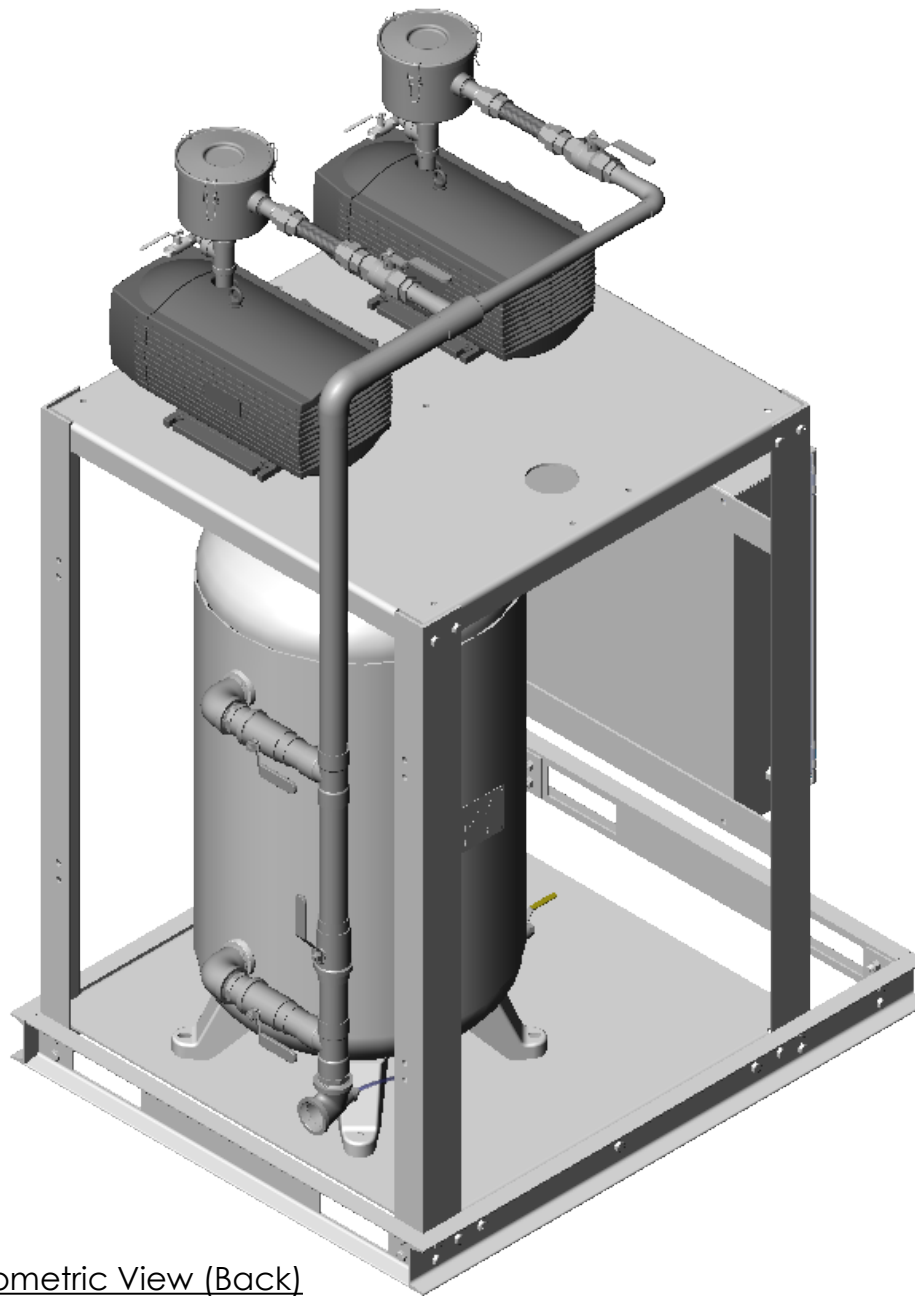
2

3

4



Isometric View (Front)



Isometric View (Back)

B

B

A

A

CONFIDENTIALITY NOTICE:

The information contained in this drawing is intended for use only by AIR ENERGY GROUP LLC and XXXXXXX. The information is confidential and any copying, distribution or dissemination without the written consent of National Environmental Systems is STRICTLY PROHIBITED.



**GLOBALVAC & AIR**

105 INDUSTRIAL BLVD / BROCKTON, MA 02301  
508-230-9445 (Phone)  
WWW.GLOBALVACANDAIR.COM

TITLE

Duplex 2 HP Rotary Vane Medical Skid Assembly

DRWN BY SSC DATE 1/9/2025

CHK BY DATE

APPR BY DATE

CUSTOMER SITE LOCATION

JOB NO. XX-XXX

SCALE NTS

SIZE B

DWG NO. VV02F-XXM-08V

SHEET 2 OF 2

REV --

0	PRE-CONSTRUCTION / SUBMITTAL APPROVAL REQUIRED	XX/XX/XXXX	XXX
REV	DESCRIPTION	DATE	APPROVED
REVISIONS			

1

2

3

4